



ENGLISH

FRANÇAIS

ESPAÑOL

OWNER'S MANUAL

FRENCH DOOR

REFRIGERATOR

Please read this owner's manual thoroughly before operating and keep it handy for reference at all times.

LFX25974**

TABLE OF CONTENTS

3 PRODUCT FEATURES

4 IMPORTANT SAFETY INSTRUCTIONS

7 COMPONENTS

- 7 Refrigerator Exterior
- 8 Refrigerator Interior
- 8 - Key Parts and Components
- 9 - Special Features

10 INSTALLATION

- 10 Specifications
- 11 Unpacking Your Refrigerator
- 11 Choosing the Proper Location
- 11 - Flooring
- 11 - Ambient Temperature
- 11 - Measuring the Clearances
- 12 Removing/Assembling the Refrigerator Door Handles
- 12 Removing/Assembling the Freezer Drawer Handle
- 13 Removing/Assembling the Doors and Drawers
- 13 - Removing the Left Refrigerator Door
- 14 - Removing the Right Refrigerator Door
- 14 - Assembling the Right Refrigerator Door
- 15 - Assembling the Left Refrigerator Door
- 16 - Removing the Freezer Drawers
- 17 - Assembling the Freezer Drawers
- 18 Connecting the Water Line
- 18 - Before You Begin
- 18 - Water Pressure
- 18 - What You Will Need
- 19 - Water Line Installation Instructions
- 20 Turning On the Power
- 21 Leveling and Door Alignment

22 HOW TO USE

- 22 Before Use
- 22 Control Panel
- 22 - Control Panel Features
- 25 In-Door Ice Bin
- 25 - Detaching the In-Door Ice Bin
- 25 - Assembling the In-Door Ice Bin
- 26 Automatic Icemaker
- 26 - Turning the Automatic Icemaker On or Off
- 27 - When You Should Turn the Icemaker Off
- 27 - Normal Sounds You May Hear
- 27 - Preparing for Vacation
- 28 Ice and Water Dispenser
- 28 - Dispenser
- 28 - Using the Dispenser
- 28 - Locking the Dispenser
- 28 - Cleaning the Dispenser Tray
- 29 Storing Food
- 29 - Food Preservation Location
- 30 - Food Storage Tips
- 30 - Storing Frozen Food
- 31 Humidity Controlled Crisper and Glide'N'Serve
- 31 Detaching and Assembling the Storage Bins
- 32 Adjusting the Refrigerator Shelves

33 MAINTENANCE

- 33 Cleaning
- 34 Replacing the Water Filter

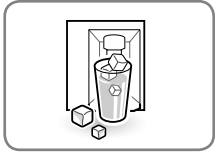
36 SMART DIAGNOSIS

37 TROUBLESHOOTING

45 WARRANTY

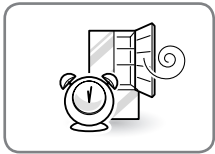
PRODUCT FEATURES

* Depending on the model, some of the following functions may not be available.



FILTERED WATER AND ICE DISPENSER

The water dispenser dispenses fresh, chilled water. The ice dispenser dispenses cubed and crushed ice.



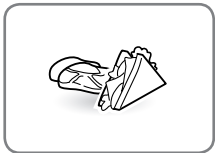
DOOR ALARM

The Door Alarm function is designed to prevent refrigerator malfunctioning that could occur if a refrigerator door or freezer drawer remains open. If a refrigerator door or freezer drawer is left open for more than 60 seconds, a warning alarm sounds in 30 second intervals.



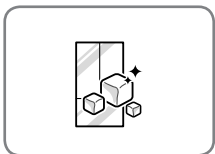
HUMIDITY CONTROLLED CRISPER

The Humidity Controlled Crisper is designed to help keep your fruits and vegetables fresh and crisp. You can control the amount of humidity in the crisper by adjusting the setting between High and Low.



GLIDE 'N' SERVE

Glide 'N' Serve provides storage space that keeps the compartment colder than the refrigerator. It is a convenient place to store sandwiches or meat to be cooked.



ICE PLUS

Ice production can be increased by approximately 20 percent when the freezer section is maintained at the coldest temperature for a 24-hour period.

IMPORTANT SAFETY INSTRUCTIONS

READ ALL INSTRUCTIONS BEFORE USING THE APPLIANCE.

This guide contains many important safety messages. Always **read and obey** all safety messages.



This is the safety alert symbol. It alerts you to safety messages that inform you of hazards that can kill or hurt you or others, or cause damage to the product.

All safety messages will be preceded by the safety alert symbol and the hazard signal word WARNING or CAUTION. These words mean:



WARNING You can be killed or seriously injured if you do not follow instructions.



CAUTION Indicates an imminently hazardous situation which, if not avoided, may result in minor or moderate injury, or product damage.



WARNING

To reduce the risk of fire, electric shock, or personal injury when using your product, basic safety precautions should be followed, including the following.

Power

- NEVER unplug your refrigerator by pulling on the power cord. Always grip the plug firmly and pull it straight out from the outlet.
- Immediately repair or replace all power cords that have become frayed or otherwise damaged. Do not use a cord that shows cracks or abrasion damage along its length or at either the plug or connector end.
- Do not use an uncertified power outlet.
- Unplug the power plug immediately in the event of a blackout or thunderstorm.
- Plug in the power plug with the power cord facing downward.

Installation

- Contact an authorized service center when you install or relocate the refrigerator.
- When moving your refrigerator away from the wall, be careful not to roll over or damage the power cord.
- Connect this product to a dedicated grounded electric outlet conforming with the rating prior to use. It is the user's responsibility to replace a standard 2-prong wall outlet with a standard 3-prong wall outlet.
- Do not install the refrigerator where there may be a danger of falling.

Use

- DO NOT allow children to climb, stand, or hang on the refrigerator doors or shelves in the refrigerator. They could damage the refrigerator and seriously injure themselves.
- Do not place heavy objects on the dispenser of the refrigerator or hang onto it.
- Do not place heavy or dangerous objects (bottles with liquid) on the refrigerator.
- Do not put live animals inside of the refrigerator.
- Do not allow children to climb into the product when it is in use.
- In the event of a gas leak (propane/LPG), ventilate sufficiently and contact an authorized service center before use. Do not touch or disassemble the electric outlet of the refrigerator.
- In the event of a refrigerant leak, move flammable objects away from the refrigerator. Ventilate sufficiently and contact an authorized service center.
- Do not use or place flammable substances (chemicals, medicine, cosmetics, etc) near the refrigerator or store them inside the refrigerator. Do not place the refrigerator in the vicinity of flammable gas.

READ ALL INSTRUCTIONS BEFORE USING THE APPLIANCE.

To reduce the risk of fire, electric shock, or personal injury when using your product, basic safety precautions should be followed, including the following.

- Do not use this product for special purposes (storage of medicine or test materials or for ships, etc).
- Unplug the power plug before cleaning or repairing the refrigerator.
- When you replace the light bulb in the refrigerator, unplug the refrigerator or turn off the power.
- Do not modify or extend the power cord.
- Do not use a dryer to dry the interior. Do not light a candle to remove the interior odor.
- For your safety, this appliance must be properly grounded. Have the wall outlet and the circuit checked by a qualified electrician to make sure the outlet is properly grounded.
- Do not use an outlet that can be turned off with a switch. Do not use an extension cord. It is the user's responsibility to replace a standard 2-prong wall outlet with a standard 3-prong wall outlet.
- Do not, under any circumstances, cut or remove the third (ground) prong from the power cord.
- Do not use an adapter plug and plug the power plug into a multi-outlet extension cord.
- Disconnect the power cord immediately if you hear a noise, smell a strange odor or detect smoke.
- Turn the power off if water or dust penetrates into the refrigerator. Call a service agent.
- Do not disassemble or modify the refrigerator.
- Do not put hands, feet, or metal objects below or behind the refrigerator.
- Do not operate the refrigerator or touch the power cord with wet hands.
- In refrigerators with automatic icemakers, avoid contact with the moving parts of the ejector mechanism or with the heating element that releases the cubes. Do not place fingers or hands on the automatic ice-making mechanism while the refrigerator is plugged in.
- When dispensing ice from the dispenser, do not use crystal ceramics.
- Do not touch the cold surfaces in the freezer compartment with wet or damp hands, when your refrigerator is in operation.
- Do not put glass containers, glass bottles or soda in the freezer.
- This appliance is not intended for use by persons (including children) with reduced physical, sensory or mental capabilities, or lack of experience and knowledge, unless they have been given supervision or instruction concerning the use of the appliance by a person responsible for their safety.
- Do not refreeze frozen food that have thawed completely. It may result in a serious health issue.
- If you are throwing away your old refrigerator, make sure the CFC coolant is removed for proper disposal by a qualified servicer. If you release CFC coolant, you may be fined or imprisoned in accordance with the relevant environmental law.
- Junked or abandoned refrigerators are dangerous, even if they are sitting for only a few days. When disposing the refrigerator, remove the packing materials from the door or take off the doors but leave the shelves in place so that children may not easily climb inside.

READ ALL INSTRUCTIONS BEFORE USING THE APPLIANCE.

To reduce the risk of fire, electric shock, or personal injury when using your product, basic safety precautions should be followed, including the following.

 CAUTION**Installation**

- The refrigerator must be properly installed in accordance with the Installer Instructions that were taped to the front of the refrigerator.
- Be careful when you unpack and install the refrigerator. Immediately dispose of packing materials (plastic) out of reach of children.

Use

- Close the door carefully when children are around.
- Keep fingers out of pinch point areas; clearances between the doors and cabinets are necessarily small. Be careful closing doors when children are in the area.
- If you store food properly, beware that it may fall and cause injury.

Maintenance

- Do not use strong detergents like wax or thinners for cleaning. Clean with a soft fabric.
- Wipe foreign objects (dust, water, etc) off the prongs of the power plug and contact areas regularly.

SAVE THESE INSTRUCTIONS

COMPONENTS

Use this page to become more familiar with the parts and features of your refrigerator. Page references are included for your convenience.

*The appearance and specifications of the actual product may differ depending on the model.

Refrigerator Exterior

LED Display

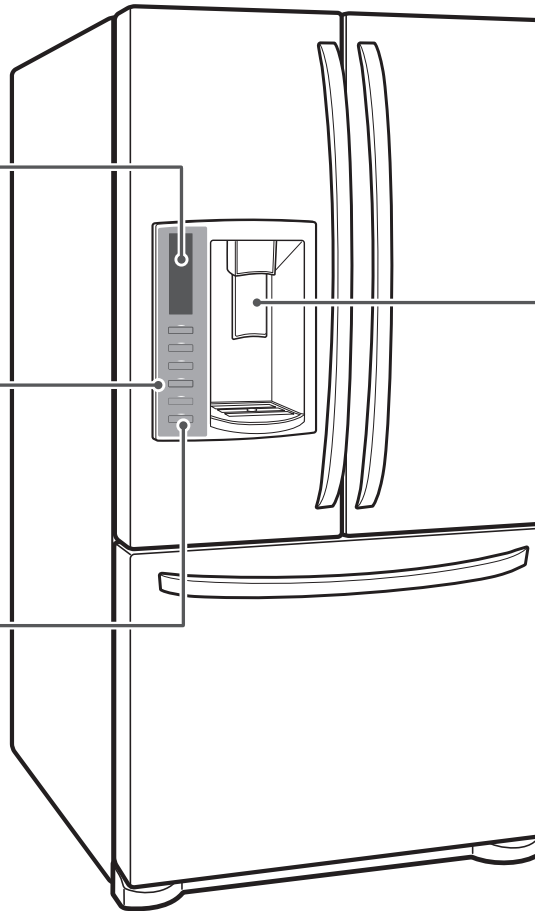
Displays the refrigerator and freezer temperature, the water filter condition and the dispenser status.

Ice Plus

When this feature is activated, the freezer section will run at the coldest temperature for a 24-hour period to increase ice production.

Door Alarm

A warning alarm sounds at 30-second intervals when the refrigerator or freezer door is left open for more than 60 seconds.



Filtered Water and Ice Dispenser

Dispenses fresh, chilled, filtered water through the door. The ice dispenser offers cubed or crushed ice.

Refrigerator Interior

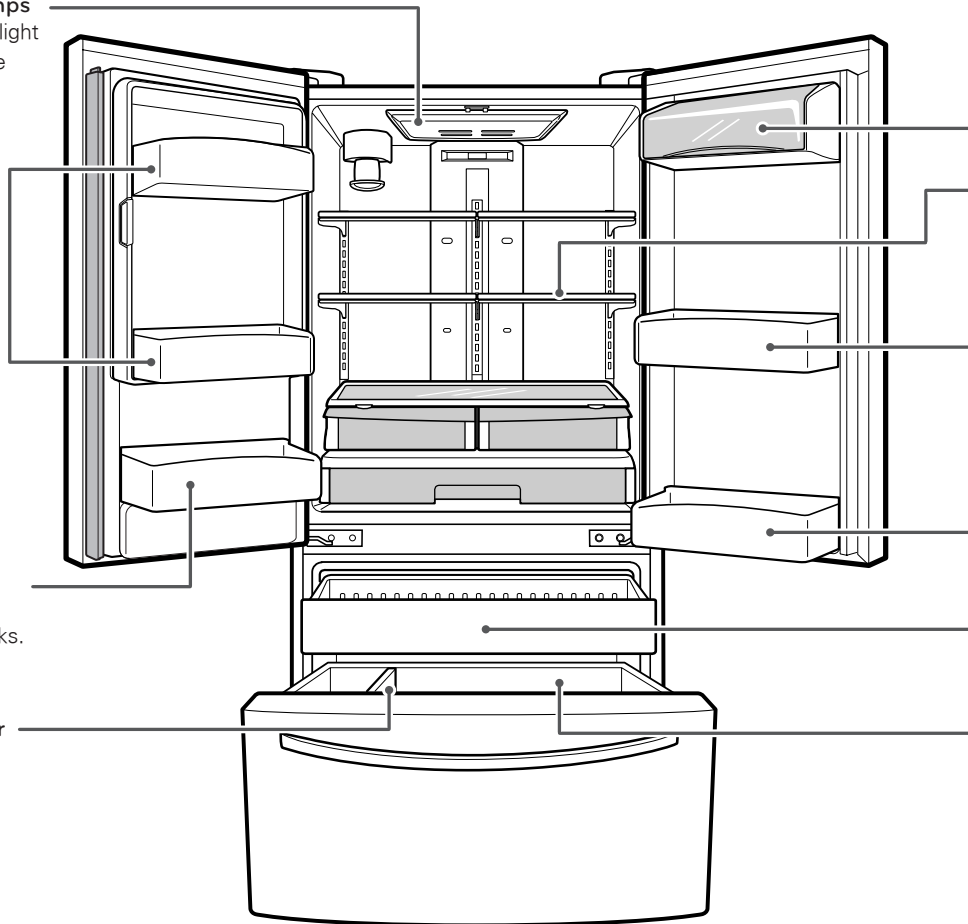
Key Parts and Components

LED Interior Lamps
The interior lamps light up the inside of the refrigerator.

Fixed Door Bins

Can Storage Bin
Used to preserve chilled food or drinks.

Durabase Divider



Dairy Product Bin

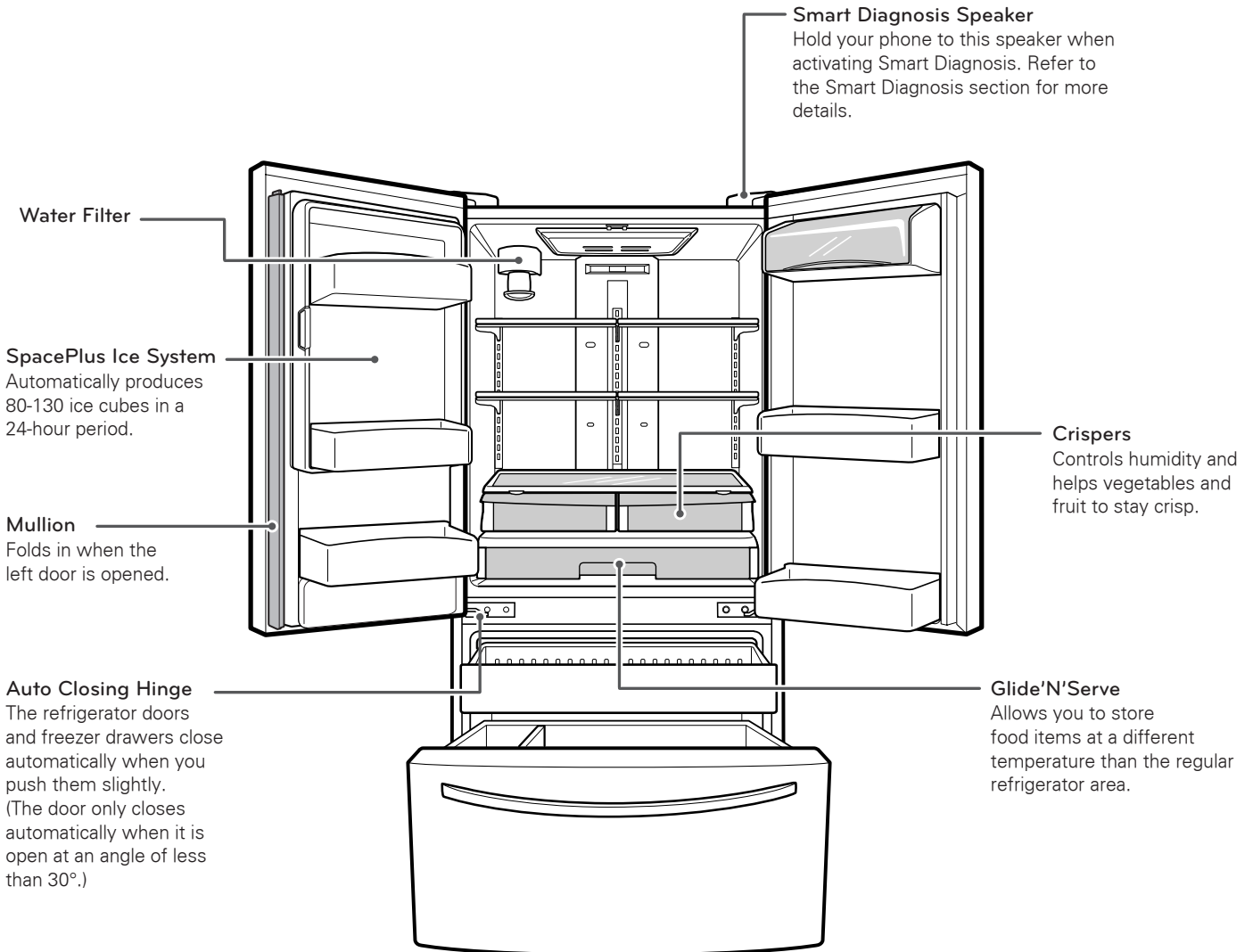
Refrigerator Shelves
The shelves in your refrigerator are adjustable to meet your individual storage needs.

Modular Door Bins

Pullout Drawer

Durabase

Special Features



INSTALLATION

Specifications

The appearance and specifications listed in this manual may vary due to constant product improvements.

Bottom-freezer refrigerator model LFX25974	
Description	French door refrigerator
Electrical requirements	115 VAC @ 60 Hz
Min. / Max. Water pressure	20 -125 PSI (1.4 - 8.4 kgf/cm ²)
Dimensions	35 3/4" (W) X 34 1/4" (D) X 69 3/4" (H), 46 1/2" (D w/ door open) 908 mm (W) X 869.95 mm (D) X 1 771.65 (H), 1 181.1 mm (D w/ door open)
Net weight	309 lb. (140kg)
Refrigerator storage capacity	17.56 cu. ft.
Freezer storage capacity	7.14 cu. ft.

Unpacking Your Refrigerator

! WARNING

- Use two or more people to move and install the refrigerator. Failure to do so can result in back or other injury.
- Your refrigerator is heavy. When moving the refrigerator for cleaning or service, be sure to protect the floor. Always pull the refrigerator straight out when moving it. Do not wiggle or walk the refrigerator when trying to move it, as floor damage could occur.
- Keep flammable materials and vapors, such as gasoline, away from the refrigerator. Failure to do so can result in fire, explosion, or death.

Remove tape and any temporary labels from your refrigerator before using. Do not remove any warning-type labels, the model and serial number label, or the Tech Sheet that is located under the front of the refrigerator, behind the base grille.

To remove any remaining tape or glue, rub the area briskly with your thumb. Tape or glue residue can also be easily removed by rubbing a small amount of liquid dish soap over the adhesive with your fingers. Wipe with warm water and dry.

Do not use sharp instruments, rubbing alcohol, flammable fluids, or abrasive cleaners to remove tape or glue. These products can damage the surface of your refrigerator.

Refrigerator shelves are installed in the shipping position. Please reinstall shelves according to your individual storage needs.

Choosing the Proper Location

- Select a place where a water supply can be easily connected for the automatic icemaker.

! NOTE

The water pressure must be between 20 and 125 psi on models without a water filter and between 40 and 125 psi on models with a water filter.

- The refrigerator should always be plugged into its own individual properly grounded electrical outlet rated for 115 Volts, 60 Hz, AC only, and fused at 15 or 20 amperes. This provides the best performance and also prevents overloading house wiring circuits which could cause a fire hazard from overheated wires. It is recommended that a separate circuit serving only this appliance be provided.

! WARNING

To reduce the risk of electric shock, do not install the refrigerator in a wet or damp area.

Flooring

To avoid noise and vibration, the unit must be leveled and installed on a solidly constructed floor. If required, adjust the leveling legs to compensate for unevenness of the floor. The front should be slightly higher than the rear to aid in door closing. Leveling legs can be turned easily by tipping the cabinet slightly. Turn the leveling legs to the left to raise the unit or to the right to lower it. (See Leveling and door Alignment.)

! NOTE

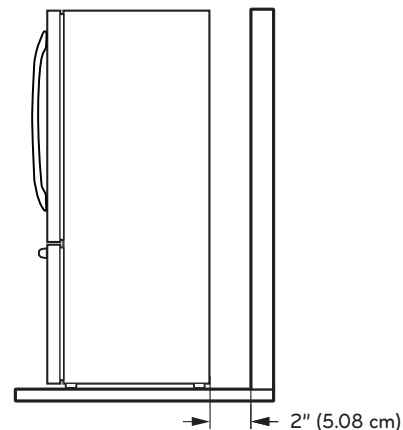
Installing on carpeting, soft tile surfaces, a platform or weakly supported structure is not recommended.

Ambient Temperature

Install this appliance in an area where the temperature is between 55°F (13°C) and 110°F (43°C). If the temperature around the appliance is too low or high, cooling ability may be adversely affected.

Measuring the Clearances

Too small of a distance from adjacent items may result in lowered freezing capability and increased electricity consumption charges. Allow at least 24 inches (61 cm) in front of the refrigerator to open the doors and at least 2 inches (5.08 cm) between the back of the refrigerator and the wall.



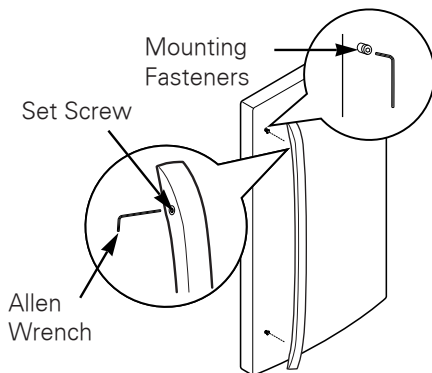
Removing/Assembling the Refrigerator Door Handles

NOTE

Removing the doors is always recommended when it is necessary to move the refrigerator through a narrow opening. If it is necessary to remove the handles, follow the directions below.

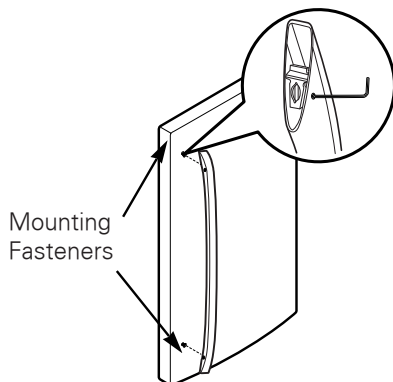
Removing the Handles

- 1 Loosen the set screws with a $\frac{3}{32}$ in. Allen wrench and remove the handle.
- 2 Loosen the mounting fasteners that connect to the refrigerator door and handle using a $\frac{1}{4}$ in. Allen wrench, remove the mounting fasteners.



Assembling the Handles

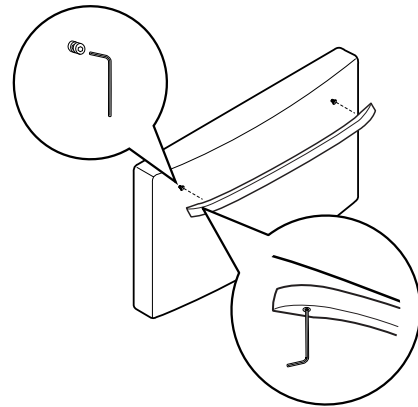
- 1 Assemble the mounting fasteners at both ends of the handle using a $\frac{1}{4}$ in. Allen wrench.
- 2 Place the handle on the door by fitting the handle footprints over the mounting fasteners and tightening the set screws with a $\frac{3}{32}$ in. Allen wrench.



Removing/Assembling the Freezer Drawer Handle

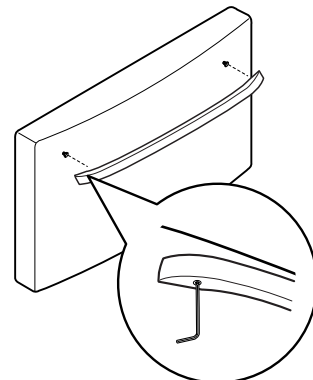
Removing the Handles

- 1 Loosen the set screws located on the lower side of the handle with a $\frac{1}{8}$ in. Allen wrench and remove the handle.
- 2 Loosen the mounting fasteners that connect to the freezer drawer and handle using a $\frac{1}{4}$ in. Allen wrench, and remove the mounting fasteners.



Assembling the Handles

- 1 Assemble the mounting fasteners at both ends of the handle using a $\frac{1}{4}$ in. Allen wrench.
- 2 Place the handle on the door by fitting the handle footprints over the mounting fasteners and tightening the set screws with a $\frac{1}{8}$ in. Allen wrench.



Removing/Assembling the Doors and Drawers

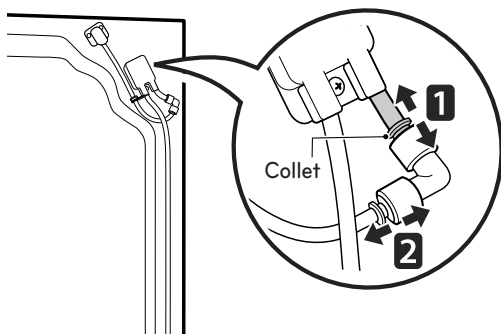
Removing the doors is always recommended when it is necessary to move the refrigerator through a narrow opening.

! WARNING

- If your entrance door is too narrow for the refrigerator to pass through, remove the refrigerator doors and move the refrigerator sideways through the doorway.
- Use two or more people to remove and install the refrigerator doors. Failure to do so can result in back or other injury.
- Disconnect the electrical supply to the refrigerator before installing. Failure to do so could result in serious injury or death.
- Do not put hands, feet or other objects into the air vents, base grille, or bottom of the refrigerator. You may be injured or receive an electrical shock.
- Be careful when handling the hinge, base grille and stopper. It may result in injury.
- Remove food and bins from the doors and drawers before detaching.

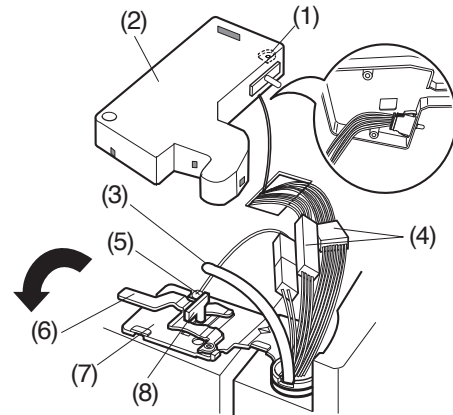
Removing the Left Refrigerator Door

- 1 The water supply is connected to the upper right part of the rear surface of the refrigerator. Remove the ring in the joint area. Hold the water supply connection and gently push the Collet to detach the water supply line as shown in **1** and **2**.



! NOTE

Detachment of the water supply line is applicable only when detaching the left refrigerator door.

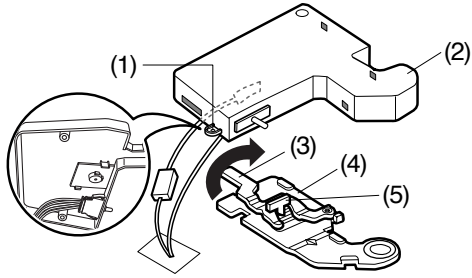


- 2 Open the left door. Remove the top hinge cover screw (1). Lift up the cover (2).
- 3 Remove the cover.
- 4 Pull out the tube (3).
- 5 Disconnect all wire harnesses (4).
- 6 Remove the grounding screw (5).
- 7 Rotate the hinge lever (6) counterclockwise. Lift the top hinge (7) free of the hinge lever latch (8).
- 8 Lift the door from the middle hinge pin and remove the door.
- 9 Place the door, inside facing up, on a non-scratching surface.

! CAUTION

When lifting the hinge free of the latch, be careful that the door does not fall forward.

Removing the Right Refrigerator Door



- 1 Open the door. Remove the top hinge cover screw (1). Lift up the cover (2).
- 2 Remove the cover.
- 3 Rotate the hinge lever (3) clockwise. Lift the top hinge (4) free of the hinge lever latch (5).
- 4 Lift the door from the middle hinge pin and remove the door.
- 5 Place the door, inside facing up, on a non-scratching surface.

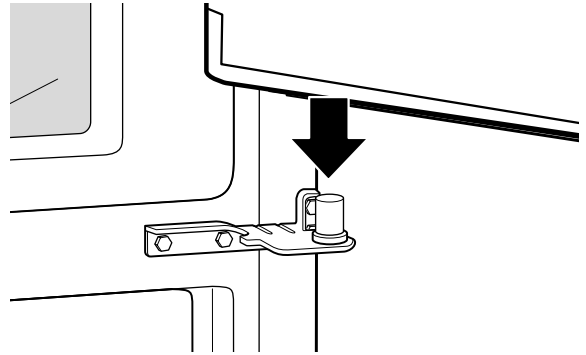


CAUTION

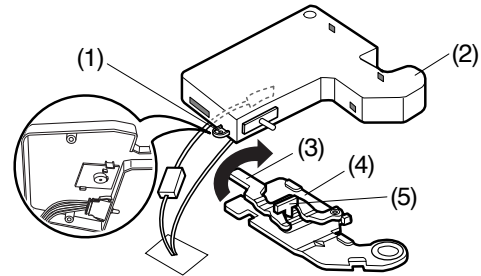
When lifting the hinge free of the latch, be careful that the door does not fall forward.

Assembling the Right Refrigerator Door

Install the right-side door first.



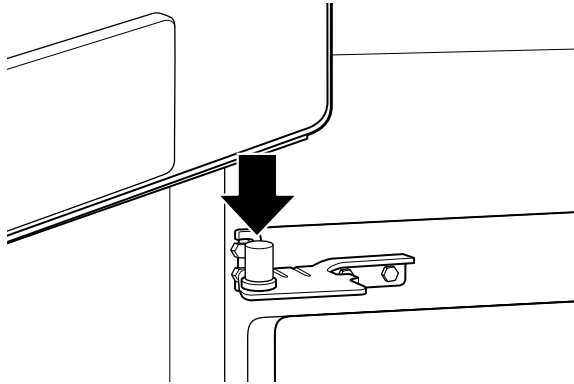
- 1 Lower the door onto the middle hinge pin. Make sure that the plastic sleeve is inserted into the bottom of the door.



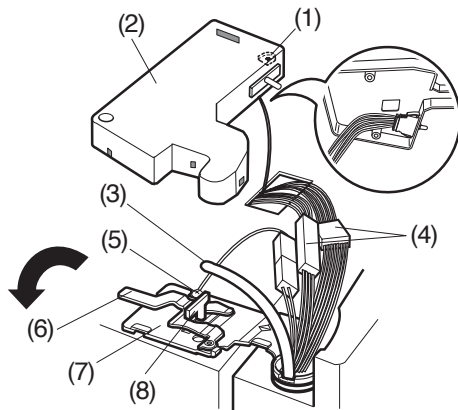
- 2 Fit the top hinge (4) over the hinge lever latch (5) and into place.
- 3 Rotate the lever (3) counterclockwise to secure the hinge.
- 4 Hook the tabs on the right side of the hinge cover (2) under the edge of the top hinge (4) and position the cover in place.
- 5 Insert and tighten the cover screw (1).

Assembling the Left Refrigerator Door

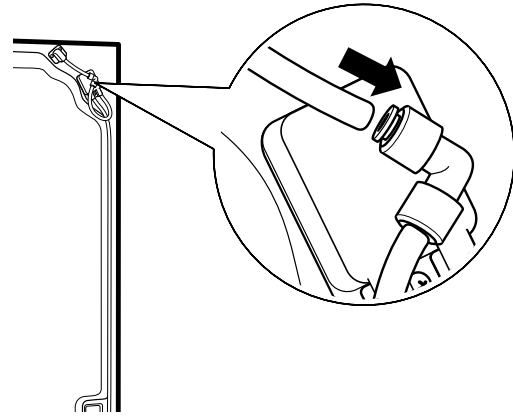
Install the left refrigerator door after the right door is installed.



- 1 Lower the door onto the middle hinge pin.

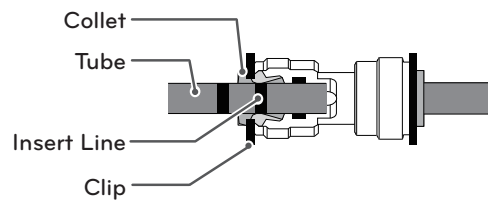


- 2 Fit the top hinge (7) over the hinge lever latch (8) and into place.
- 3 Rotate the lever (6) clockwise to secure the hinge.
- 4 Install the grounding screws (5) and connect the two wire harnesses (4).
- 5 Push the water tube (3) located at the top of the left door into the hole beside the left hinge on the top of the cabinet until it exits through the back.
- 6 Insert the water supply tube (3) into the connector until you see only one scale mark. Fully insert the tub cover (15 mm).
- 7 Hook the tabs on the left side of the hinge cover (1) under the edge of the top hinge (7) and position the cover in place.
- 8 Insert and tighten the cover screw (1).

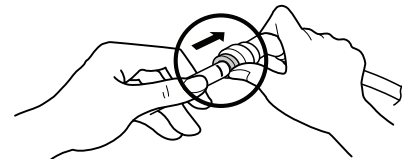


- 9 Insert the water supply tube at least 5/8 in. (15 mm) into the connector.
- 10 Hook the tab on the door switch side of the cover under the edge of the wire opening in the cabinet top.
- 11 Position the cover into place. Insert and tighten the cover screw.

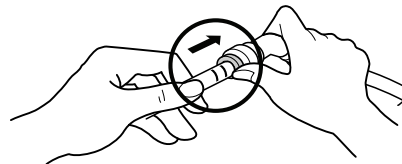
NOTE



- 1) Gently press the Collet and insert the tube until only one line shows on the tube.



(Correct)



(Incorrect)

- 2) Pull the tube to make sure that the tube is tightly fastened and then insert the clip.

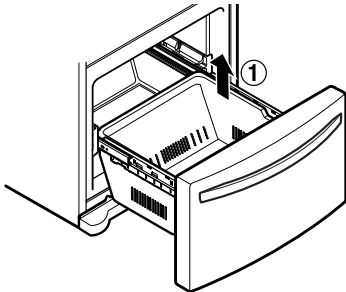
Removing the Freezer Drawers

The top, middle and bottom drawers are all removed in the same way. In the following figures, the Pullout Drawer located above the freezer drawer is not shown for clarity.

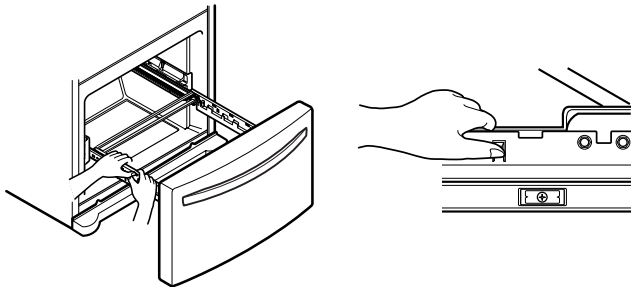
⚠ CAUTION

- Use two or more people to remove and install the freezer drawer. Failure to do so can result in back or other injury.
- Do not hold the handle when removing or replacing the drawer. The handle may come off and it could cause personal injury.
- Be careful of sharp hinges on both sides of the drawer.
- When you lay the drawer down, be careful not to damage the floor.
- Do not sit or stand on the freezer drawer.
- To prevent accidents, keep children and pets away from the drawer. Do not leave the drawer open.

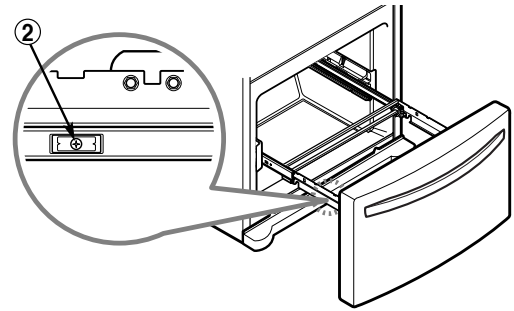
Pull the drawer open to full extension. Remove the lower basket by lifting basket from rail system.



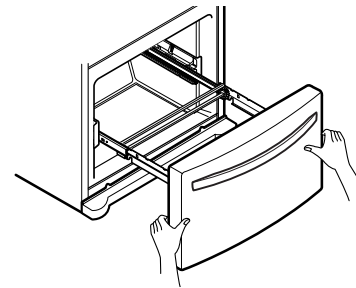
Press in the tabs on the rail covers and lift them up to separate from the rail assembly.



Remove the rail screw ② on both the left and right rails.

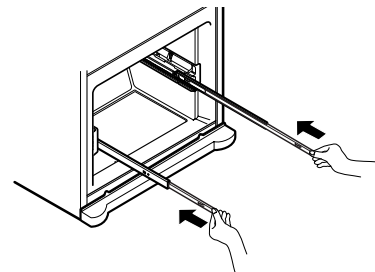


With both hands, grasp the sides of the door and pull it up to separate it from the rails.



⚠ CAUTION

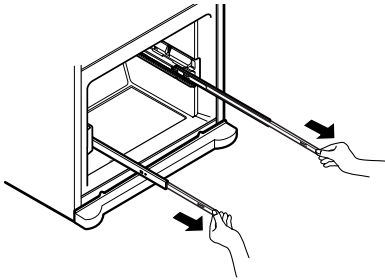
When you remove the drawer, do not hold the handle. The handle may come off and it could cause personal injury.



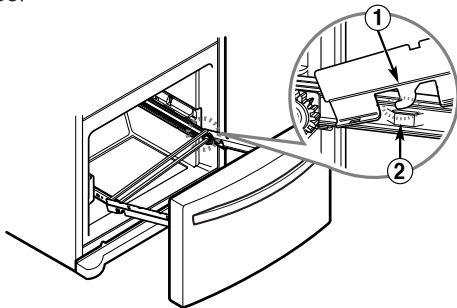
With both hands, hold each rail and push it in to allow both rails to slide in simultaneously.

Assembling the Freezer Drawer

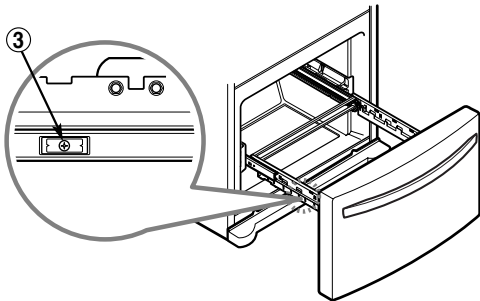
With both hands, pull out each rail simultaneously until both rails are fully extended.



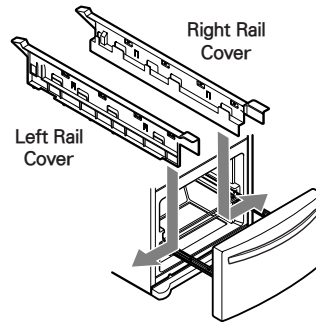
Hook the door support **1** into the rail tabs **2** on both sides.



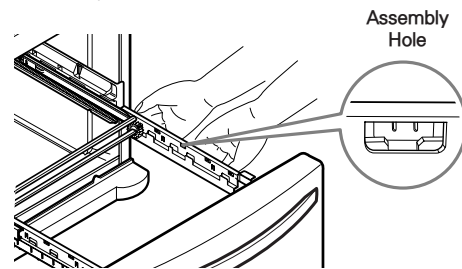
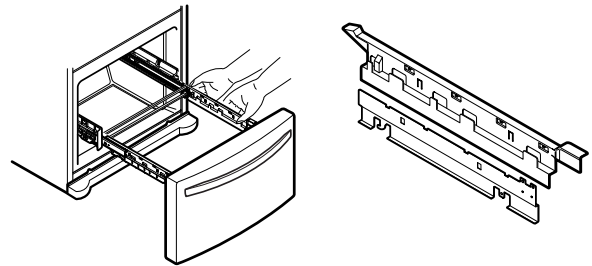
Lower door into final position and tighten the screws **3**.



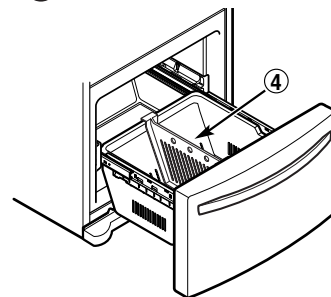
Make sure you have the correct rail cover for each side.



Align the tabs on the covers with the assembly holes on each rail, and snap the rail covers in place to secure.



With the drawer pulled out to full extension, insert the lower basket **4** in the rail assembly.



! WARNING

- If the Durabase divider is removed, there is enough open space for children or pets to crawl inside. To prevent accidental child and pet entrapment or suffocation risk, DO NOT allow them to touch or go near the freezer drawer.
- DO NOT step or sit down on freezer drawer.

Connecting the Water Line

Before You Begin

This water line installation is not covered by the refrigerator warranty. Follow these instructions carefully to minimize the risk of expensive water damage.

Water hammer (water banging in the pipes) in house plumbing can cause damage to refrigerator parts and can lead to water leakage or flooding. Call a qualified plumber to correct water hammer before installing the water supply line to the refrigerator.



CAUTION

To prevent burns and product damage, only connect the refrigerator water line to a cold water supply.

If you use your refrigerator before connecting the water line, make sure the icemaker power switch is in the **OFF (O)** position.



CAUTION

Do not install the icemaker tubing in areas where temperatures fall below freezing.

Water Pressure

A cold water supply. The water pressure must be between 20 and 125 psi on models without a water filter and between 40 and 125 psi on models with a water filter.

If a reverse osmosis water filtration system is connected to your cold water supply, this water line installation is not covered by the refrigerator warranty. Follow the following instructions carefully to minimize the risk of expensive water damage.

If a reverse osmosis water filtration system is connected to your cold water supply, the water pressure to the reverse osmosis system needs to be a minimum of 40 to 60 psi (2.8 kgf/cm² ~ 4.2 kgf/cm², less than 2.0~3.0 sec. to fill a cup of 7 oz capacity).



CAUTION

Wear eye protection during installation to prevent injury.

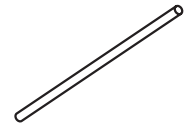
If the water pressure from the reverse osmosis system is less than 21 psi or 1.5 kgf/cm² (takes more than 4.0 sec to fill a cup of 7 oz capacity):

- Check to see if the sediment filter in the reverse osmosis system is blocked. Replace the filter if necessary.

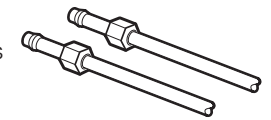
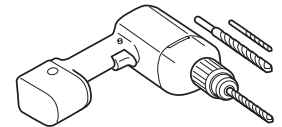
- Allow the storage tank on the reverse osmosis system to refill after heavy usage.
- If the issue concerning water pressure from reverse osmosis remains, call a licensed, qualified plumber.
- All installations must be in accordance with local plumbing code requirements.

What You Will Need

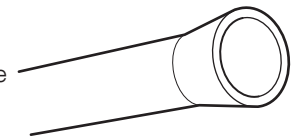
- Copper Tubing, ¼ in. outer diameter, to connect the refrigerator to the water supply. Be sure both ends of the tubing are cut square.
- To determine how much tubing you need: measure the distance from the water valve on the back of the refrigerator to the water supply pipe. Then, add 8 feet (2.4 m). Be sure there is sufficient extra tubing (about 8 feet [2.4 m] coiled into 3 turns of about 10 in. [25 cm] diameter) to allow the refrigerator to move out from the wall after installation.



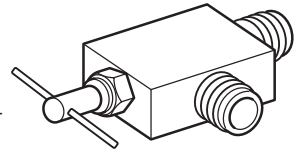
- Power drill.
- ½ in. or adjustable wrench.
- Flat blade and Phillips head screwdrivers.
- Two ¼ in. outer diameter compression nuts and 2 ferrules (sleeves) to connect the copper tubing to the shutoff valve and the refrigerator water valve.



- If your existing copper water line has a flared fitting at the end, you will need an adapter (available at plumbing supply stores) to connect the water line to the refrigerator OR you can cut off the flared fitting with a tube cutter and then use a compression fitting.



- Shutoff valve to connect to the cold water line. The shutoff valve should have a water inlet with a minimum inside diameter of 5/32 in. at the point of connection to the COLD WATER LINE. Saddle-type shutoff valves are included in many water supply kits. Before purchasing, make sure a saddle-type valve complies with your local plumbing codes.



NOTE

A self piercing saddle type water valve should not be used.

Water Line Installation Instructions

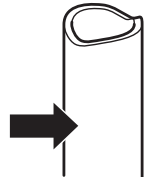
! WARNING

When using any electrical device (such as a power drill) during installation, be sure the device is battery powered, double insulated or grounded in a manner that will prevent the hazard of electric shock.

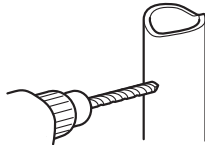
Install the shutoff valve on the nearest frequently used drinking water line.

- 1 SHUT OFF THE MAIN WATER SUPPLY**
Turn on the nearest faucet to relieve the pressure on the line.

- 2 CHOOSE THE VALVE LOCATION**
Choose a location for the valve that is easily accessible. It is best to connect into the side of a vertical water pipe. When it is necessary to connect into a horizontal water pipe, make the connection to the top or side, rather than at the bottom, to avoid drawing off any sediment from the water pipe.



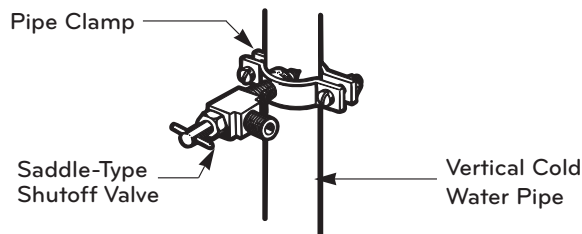
- 3 DRILL THE HOLE FOR THE VALVE**
Drill a 1/4 in. hole in the water pipe using a sharp bit. Remove any burrs resulting from drilling the hole in the pipe. Be careful not to allow water to drain into the drill. Failure to drill a 1/4 in. hole may result in reduced ice production or smaller cubes.



! NOTE

The hookup line cannot be white, plastic tubing. Licensed plumbers must use only copper tubing NDA tubing #49595 or 49599 or Cross Link Polyethylene (PEX) tubing.

- 4 FASTEN THE SHUTOFF VALVE**
Fasten the shutoff valve to the cold water pipe with the pipe clamp.

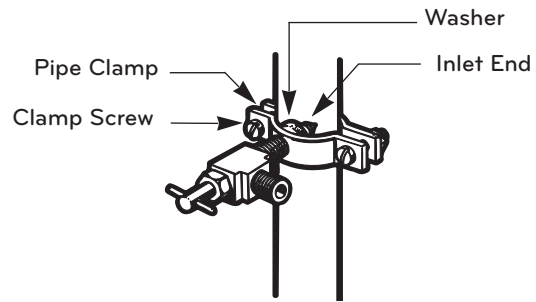


! NOTE

Commonwealth of Massachusetts Plumbing Codes 248CMR shall be adhered to. Saddle valves are illegal and use is not permitted in Massachusetts. Consult with your licensed plumber.

- 5 TIGHTEN THE PIPE CLAMP**
Tighten the clamp screws until the sealing washer begins to swell.

NOTE: Do not overtighten clamp or you may crush the tubing.

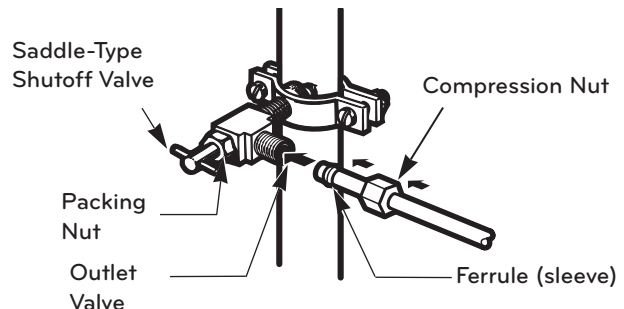


- 6 ROUTE THE TUBING**
Route the tubing between the cold water line and the refrigerator.
Route the tubing through a hole drilled in the wall or floor (behind the refrigerator or adjacent base cabinet) as close to the wall as possible.

! NOTE

Be sure there is sufficient extra tubing (about 8 feet coiled into 3 turns of about 10 in. diameter) to allow the refrigerator to move out from the wall after installation.

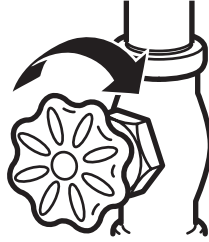
- 7 CONNECT THE TUBING TO THE VALVE**
Place the compression nut and ferrule (sleeve) for copper tubing onto the end of the tubing and connect it to the shutoff valve. Make sure the tubing is fully inserted into the valve. Tighten the compression nut securely.



8 FLUSH OUT THE TUBING

Turn the main water supply on and flush out the tubing until the water is clear.

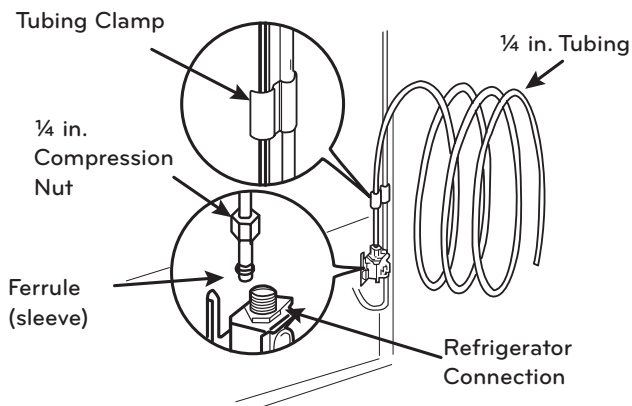
Shut the water off at the water valve after about one quart of water has been flushed through the tubing.

**9 CONNECT THE TUBING TO THE REFRIGERATOR**

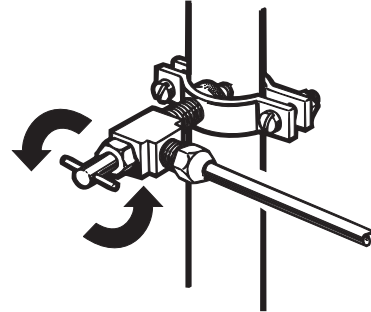
NOTE: Before making the connection to the refrigerator, be sure that the refrigerator power cord is not plugged into the wall outlet.

end of the tubing as shown.

- c. Insert the end of the copper tubing into the connection as far as possible. While holding the tubing, tighten the fitting.

**10 TURN THE WATER ON AT THE SHUTOFF VALVE**

Tighten any connections that leak.

**CAUTION**

Check to see if leaks occur at the water line connections.

11 PLUG IN THE REFRIGERATOR

Arrange the coil of tubing so that it does not vibrate against the back of the refrigerator or against the wall. Push the refrigerator back to the wall.

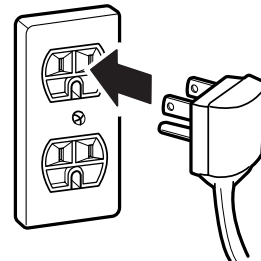
12 START THE ICEMAKER

Set the icemaker power switch to the **ON** position.

The icemaker will not begin to operate until it reaches its operating temperature of 15°F (-9°C) or below. It will then begin operation automatically if the icemaker power switch is in the **ON (I)** position.

Turning On The Power

- 1 Plug in the refrigerator.

**CAUTION**

- Connect to a rated power outlet.
- Have a certified electrician check the wall outlet and wiring for proper grounding.
- Do not damage or cut off the ground terminal of the power plug.

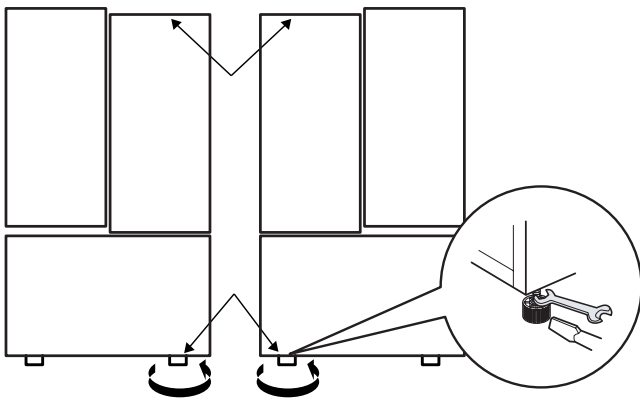
Leveling and Door Alignment

Leveling

After installing, plug the refrigerator's power cord into a 3-prong grounded outlet and push the refrigerator into the final position.

Your refrigerator has two front leveling legs—one on the right and one on the left. Adjust the legs to alter the tilt from front-to-back or side-to-side. If your refrigerator seems unsteady, or you want the doors to close more easily, adjust the refrigerator's tilt using the instructions below:

- 1 Remove the base grille. Refer to the Base Grille Installation section.
- 2 Turn the leveling leg to the left to raise that side of the refrigerator or to the right to lower it. It may take several turns of the leveling leg to adjust the tilt of the refrigerator.



NOTE

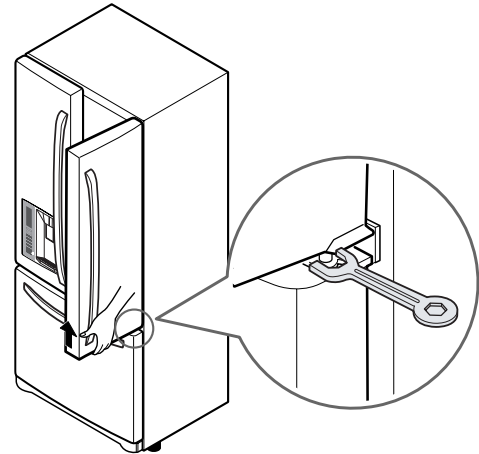
A flare nut wrench works best, but an open-end wrench will suffice. Do not over-tighten.

- 3 Open both doors again and check to make sure that they close easily. If the doors do not close easily, tilt the refrigerator slightly more to the rear by turning both leveling legs to the left. It may take several more turns, and you should turn both leveling legs the same amount.
- 4 Replace the base grille.

Door Alignment

Both the left and right refrigerator doors have an adjustable nut, located on the bottom hinge, to raise and lower them to align properly. If the space between your doors is uneven, follow the instructions below to align the doors evenly:

Use the wrench (included with the Owner's Manual) to turn the nut in the door hinge to adjust the height. To the right to raise or to the left to lower the height.



HOW TO USE

Before Use



Clean the refrigerator.

Clean your refrigerator thoroughly and wipe off all dust that accumulated during shipping.



CAUTION

- Do not scratch the refrigerator with a sharp object or use a detergent that contains alcohol, a flammable liquid or an abrasive when removing any tape or adhesive from the refrigerator.
- Do not peel off the model or serial number label or the technical information on the rear surface of the refrigerator.



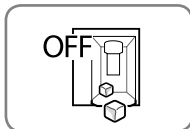
NOTE

Remove adhesive residue by wiping it off with your thumb or dish detergent.



Connect the power supply.

Check if the power supply is connected before use.
Read the "Turning On The Power" section.



Turn off the icemaker if the refrigerator is not yet connected to the water supply.

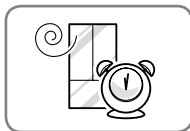
Turn off the automatic icemaker and then plug the power plug of the refrigerator into the grounded electric outlet.

* This is applicable only to certain models.



CAUTION

Running the automatic icemaker before connecting it to the water supply may cause the refrigerator to malfunction.



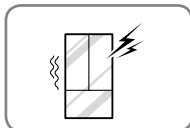
Wait for the refrigerator to cool.

Allow your refrigerator to run for at least two to three hours before putting food in it. Check the flow of cold air in the freezer compartment to ensure proper cooling.



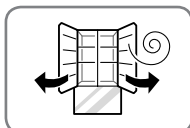
CAUTION

Putting food in the refrigerator before it has cooled could cause the food to spoil, or a bad odor could remain inside the refrigerator.



The refrigerator makes a loud noise after initial operation.

This is normal. The loudness will decrease as the temperature lowers.

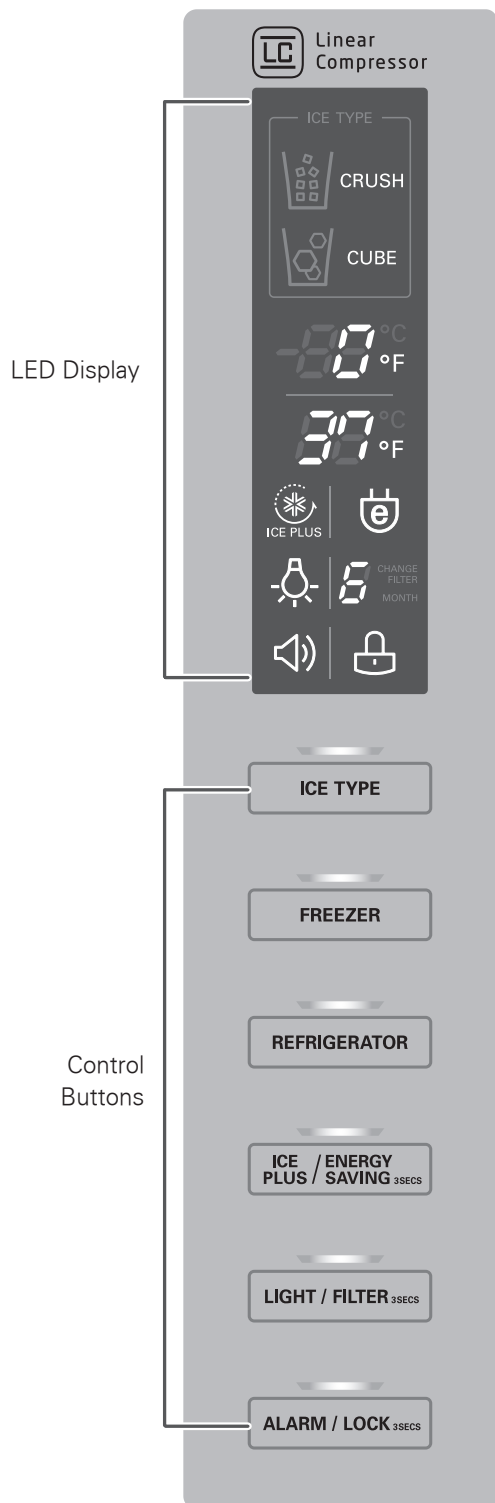


Open refrigerator doors and freezer drawers to ventilate the interior.

The inside of the refrigerator may smell like plastic at first. Remove any adhesive tape from inside the refrigerator and open the refrigerator doors and the freezer drawers for ventilation.

Control Panel

* Depending on the model, some of the following functions may not be available.




Control Panel Features

The LED Display shows the temperature settings, dispenser options, water filter, door alarm, and locking status messages.

Ice Type 

Press the ICE TYPE button to select either Crushed or Cubed Ice. The selected option will illuminate on the LED display.

Freezer 

Press the FREEZER button to adjust the temperature in the freezer compartment.

! NOTE

To change the display from Fahrenheit to Celsius, press and hold the FREEZER and REFRIGERATOR button for five seconds.

Refrigerator 

Press the REFRIGERATOR button to adjust the temperature in the freezer compartment.

Ice Plus 

This function increases both ice making and freezing capabilities.

- When you touch the **Ice Plus** button, the graphic will illuminate in the display and will continue for 24 hours. The function will automatically shut off after 24 hours.
- You can stop this function manually by touching the button one more time.

Energy Saving 

The Energy Saving function disables the mullion heater located on the refrigerator door in order to conserve electricity. Press and hold the Energy Saving button for three seconds to activate or deactivate this function.

! NOTE

Discontinue using the Energy Saving function if excessive moisture begins to collect on the door mullion.

Control Panel Features (continued)



Press the LIGHT button, to turn on the dispenser light. The indicator will appear on the LED display.



When the water filter indicator turns on, you have to change the water filter. After changing the water filter, press and hold the FILTER button for three seconds to turn the indicator light off. You need to change the water filter approximately every six months.



- When power is connected to the refrigerator, the door alarm is initially set to ON. When you press the ALARM button, the display will change to OFF and the Alarm function will deactivate.
- When either the refrigerator or the freezer door is left open for more than 60 seconds, the alarm tone will sound to let you know that the door is open.
- When you close the door, the door alarm will stop.



The Control Lock function disables every other button on the display.

- When power is initially connected to the refrigerator, the LOCK function is off.
- If you want to activate the LOCK function to lock other buttons, press and hold the LOCK button for three seconds or more. The LOCK icon will display and the LOCK function is now enabled.
- To disable the LOCK function, press and hold the LOCK button for approximately three seconds.

CAUTION

Display Mode (For Store Use Only)

The Display Mode disables all cooling in the refrigerator and freezer sections to conserve energy while on display in a retail store. When activated, OFF will display on the control panel.

To deactivate:

With either refrigerator door opened, press and hold the Refrigerator and Ice Plus buttons at the same time for five seconds. The control panel will beep and the temperature settings will display to confirm that Display Mode is deactivated. Use the same procedure to activate the Display Mode.

In-Door Ice Bin

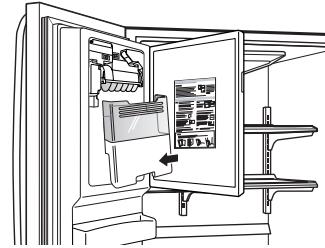
* Depending on the model, some of the following functions may not be available.

CAUTION

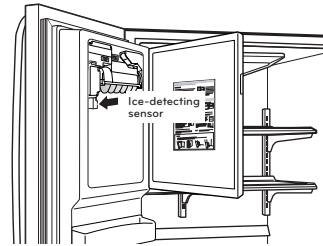
- Keep hands and tools out of the ice compartment door and dispenser chute. Failure to do so may result in damage or personal injury.
- The icemaker will stop producing ice when the in-door ice bin is full. If you need more ice, empty the ice bin into the extra ice bin in the freezer compartment. During use, the ice can become uneven causing the icemaker to misread the amount of ice cubes and stop producing ice. Shaking the ice bin to level the ice within it can reduce this problem.
- Storing cans or other items in the ice bin will damage the icemaker.
- Keep the ice compartment door closed tightly. If the ice compartment door is not closed tightly, the cold air in the ice bin will freeze food in the refrigerator compartment. This could also cause the icemaker to stop producing ice.
- If the ON/OFF switch on the icemaker is set to OFF for an extended period of time, the ice compartment will gradually warm up to the temperature of the refrigerator compartment. To prevent ice cubes from melting and leaking from the dispenser, ALWAYS empty the ice bin when the icemaker is set to OFF for more than a few hours.

Assembling the In-Door Ice Bin

- 1 Carefully insert the in-door ice bin while slightly slanting it to avoid contact with the icemaker.

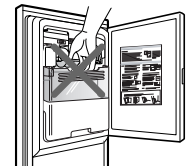


- 2 Avoid touching the ice-detecting sensor when replacing the ice bin. See the label on the ice compartment door for details.



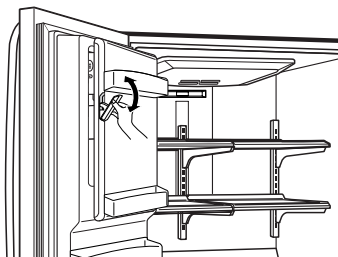
CAUTION

When handling the ice bin, keep hands away from the icemaker tray area to avoid personal injury.

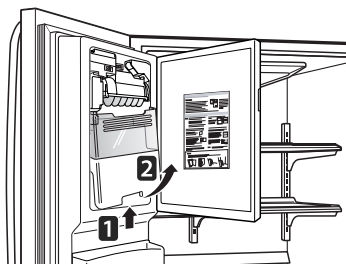


Detaching the In-Door Ice Bin

- 1 Gently pull the handle to open the ice compartment.



- 2 To remove the in-door ice bin, grip the front handle, slightly lift the lower part, and slowly pull out the bin as shown.

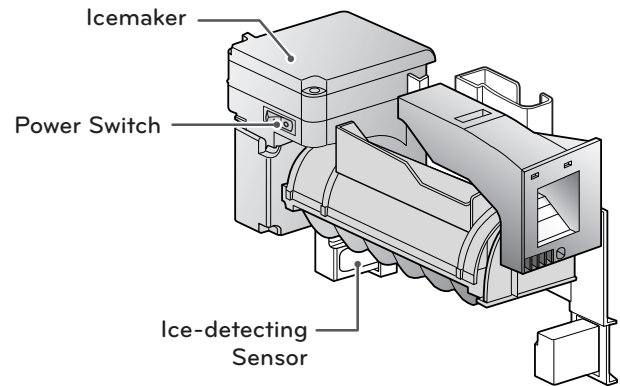


Automatic Icemaker

* Depending on the model, some of the following functions may not be available.

Ice is made in the automatic icemaker and sent to the dispenser. The icemaker will produce 12 cubes per cycle—approximately 120 cubes in a 24-hour period, depending on freezer compartment temperature, room temperature, number of door openings and other operating conditions.

- It takes about 12 to 24 hours for a newly installed refrigerator to begin making ice. Wait 72 hours for full ice production to occur.
- Ice making stops when the in-door ice bin is full. When full, the in-door ice bin holds approximately 6 to 8 (12-16 oz) glasses of ice.
- The water pressure must be between 20 and 125 psi on models without a water filter and between 40 and 125 psi on models with a water filter to produce the normal amount and size of ice cubes.
- Foreign substances or frost on the ice-detecting sensor can interrupt ice production. Make sure the sensor area is clean at all times for proper operation.



Turning the Automatic Icemaker On or Off

To turn off the automatic icemaker, set the icemaker switch to **OFF (O)**. To turn on the automatic icemaker, set the switch to **ON (I)**.

Automatic Icemaker (continued)

CAUTION

- The first ice and water dispensed may include particles or odor from the water supply line or the water tank.
- Throw away the first few batches of ice (about 24 cubes). This is also necessary if the refrigerator has not been used for a long time.
- Never store beverage cans or other items in the ice bin for the purpose of rapid cooling. Doing so may damage the icemaker or the containers may burst.
- If discolored ice is dispensed, check the water filter and water supply. If the problem continues, contact a Sears or other qualified service center. Do not use the ice or water until the problem is corrected.
- Keep children away from the dispenser. Children may play with or damage the controls.
- The ice passage may become blocked with frost if only crushed ice is used. Remove the frost that accumulates by removing the ice bin and clearing the passage with a rubber spatula. Dispensing cubed ice can also help prevent frost buildup.
- Never use thin crystal glass or crockery to collect ice. Such containers may chip or break resulting in glass fragments in the ice.
- Dispense ice into a glass before filling it with water or other beverages. Splashing may occur if ice is dispensed into a glass that already contains liquid.
- Never use a glass that is exceptionally narrow or deep. Ice may jam in the ice passage and refrigerator performance may be affected.
- Keep the glass at a proper distance from the ice outlet. A glass held too close to the outlet may prevent ice from dispensing.
- To avoid personal injury, keep hands out of the ice door and passage.
- Never remove the dispenser cover.
- If ice or water dispenses unexpectedly, turn off the water supply and contact a qualified service center.

When You Should Turn the Icemaker Off

- When the water supply will be shut off for several hours.
- When the ice bin is removed for more than one or two minutes.
- When the refrigerator will not be used for several days.

NOTE

The ice bin should be emptied when the icemaker on/off switch is turned to the **OFF** position.

Normal Sounds You May Hear

- The icemaker water valve will buzz as the icemaker fills with water. If the power switch is in the ON (I) position, it will buzz even if it has not yet been hooked up to water. To stop the buzzing, move the power switch to OFF (O).
- You will hear the sound of cubes dropping into the bin and water running in the pipes as the icemaker refills.

NOTE

Keeping the power switch in the ON (I) position before the water line is connected can damage the icemaker.

Preparing For Vacation

Set the icemaker power switch to OFF (O) and shut off the water supply to the refrigerator.

NOTE

The ice bin should be emptied anytime the icemaker on/off switch is turned to the OFF (O) position.

If the ambient temperature will drop below freezing, have a qualified technician drain the water supply system to prevent serious property damage due to flooding caused by ruptured water lines or connections.

Ice and Water Dispenser

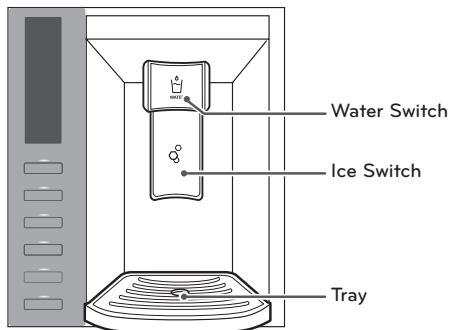
* Depending on the model, some of the following functions may not be available.



CAUTION

Keep children away from the dispenser. Children may play with or damage the controls.

Dispenser



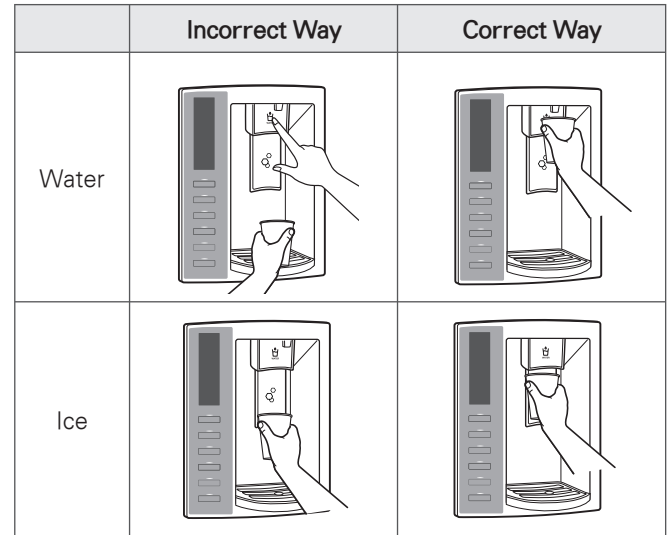
Using the Dispenser

- To dispense **cold water**, push on the water switch with a glass.
- To dispense **ice**, push on the ice switch with a glass.



NOTE

- If discolored ice is dispensed, check the water filter and water supply. If the problem continues, contact a qualified service center. Do not use the ice or water until the problem is corrected.
- The dispenser will not operate when either of the refrigerator doors are open.
- If dispensing water or ice into a container with a small opening, place it as close to the dispenser as possible.
- Some dripping may occur after dispensing. Hold your cup beneath the dispenser for a few seconds after dispensing to catch all of the drops.



CAUTION

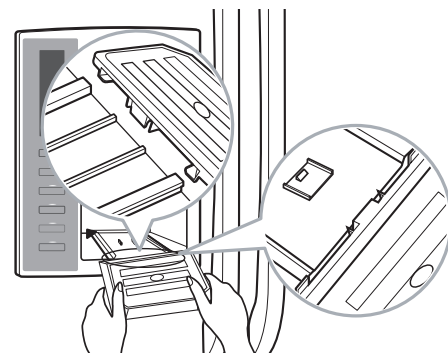
Throw away the first few batches of ice (about 24 cubes). This is also necessary if the refrigerator has not been used for a long time.

Locking the Dispenser

Press and hold the Lock button for 3 seconds to lock the dispenser and all the control panel functions. Follow the same instructions to unlock.

Cleaning the Dispenser Tray

- 1 Grip the tray with both hands, press down and pull it out.



- 2 Wipe out dirty areas with a clean cloth.

Storing Food

Food Preservation Location

Each compartment inside the refrigerator is designed to store different types of food. Store your food in the optimal space to enjoy the freshest taste.



Adjustable Refrigerator Shelf

Adjustable shelves to meet your individual storage needs.



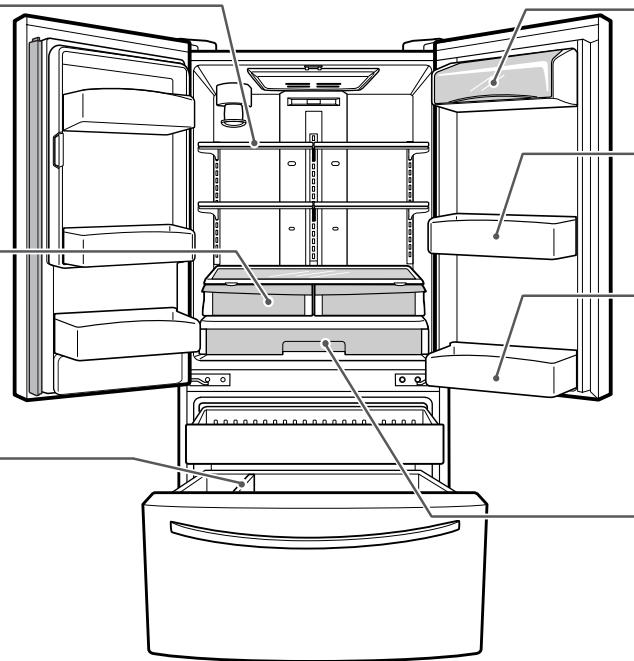
Vegetable Storage (Crisper)

Preserves vegetables and fruit.



Durabase®

Largest storage space in the freezer.



Dairy Product Bin

Store milk products such as butter and cheese.



Gallon Storage Bin

Store drinks such as juice and soda, as well as seasonings, salad dressings and other food items.



Glide'N'Serve

Provides storage space that keeps the compartment at a different temperature than the refrigerator. It is a convenient place to store sandwiches or meat to be cooked.

⚠ CAUTION

- Do not store food with high moisture content towards the top of the refrigerator. The moisture could come in direct contact with the cold air and freeze.
- Wash food before storing it in the refrigerator. Vegetables and fruit should be washed, and food packaging should be wiped down to prevent adjacent foods from being contaminated.
- If the refrigerator is kept in a hot and humid place, frequent opening of the door or storing a lot of vegetables in the refrigerator may cause condensation to form. Wipe off the condensation with a clean cloth or a paper towel.
- If the refrigerator door or freezer drawer is opened or closed too often, warm air may penetrate the refrigerator and raise its temperature. It can also increase the cost of electricity.

! NOTE

- If you are leaving home for a short period of time, like a short vacation, the refrigerator should be left on. Refrigerated foods that are able to be frozen will stay preserved longer if stored in the freezer.
- If you are leaving the refrigerator turned off for an extended period of time, remove all food and unplug the power cord. Clean the interior, and leave the door open to prevent fungi from growing in the refrigerator.

Food Storage Tips

* The following tips may not be applicable depending on the model.

Wrap or store food in the refrigerator in airtight and moisture-proof material unless otherwise noted. This prevents food odor and taste transfer throughout the refrigerator. For dated products, check date code to ensure freshness.

Food	How to
Butter or Margarine	Keep opened butter in a covered dish or closed compartment. When storing an extra supply, wrap in freezer packaging and freeze.
Cheese	Store in the original wrapping until you are ready to use it. Once opened, rewrap tightly in plastic wrap or aluminum foil.
Milk	Wipe milk cartons. For best storage, place milk on interior shelf, not on door shelf.
Eggs	Store in original carton on interior shelf, not on door shelf.
Fruit	Do not wash or hull the fruit until it is ready to be used. Sort and keep fruit in its original container, in a crisper, or store in a completely closed paper bag on a refrigerator shelf.
Leafy Vegetables	Remove store wrapping and trim or tear off bruised and discolored areas. Wash in cold water and drain. Place in plastic bag or plastic container and store in crisper.
Vegetables with skins (carrots, peppers)	Place in plastic bags or plastic container and store in crisper.
Fish	Store fresh fish and shellfish in the freezer section if they are not being consumed the same day of purchase. It is recommended to consume fresh fish and shellfish the same day purchased.
Leftovers	Cover leftovers with plastic wrap, aluminum foil, or plastic containers with tight lids.

Storing Frozen Food

NOTE

Check a freezer guide or a reliable cookbook for further information about preparing food for freezing or food storage times.

Freezing

Your freezer will not quick-freeze a large quantity of food. Do not put more unfrozen food into the freezer than will freeze within 24 hours (no more than 2 to 3 lbs. of food per cubic foot of freezer space). Leave enough space in the freezer for air to circulate around packages. Be careful to leave enough room at the front so the door can close tightly.

Storage times will vary according to the quality and type of food, the type of packaging or wrap used (how airtight and moisture-proof) and the storage temperature. Ice crystals inside a sealed package are normal. This simply means that moisture in the food and air inside the package have condensed, creating ice crystals.

NOTE

Allow hot foods to cool at room temperature for 30 minutes, then package and freeze. Cooling hot foods before freezing saves energy.

Packaging

Successful freezing depends on correct packaging. When you close and seal the package, it must not allow air or moisture in or out. If it does, you could have food odor and taste transfer throughout the refrigerator and could also dry out frozen food.

Packaging recommendations:

- Rigid plastic containers with tight-fitting lids
- Straight-sided canning/freezing jars
- Heavy-duty aluminum foil
- Plastic-coated paper
- Non-permeable plastic wraps
- Specified freezer-grade self-sealing plastic bags

Follow package or container instructions for proper freezing methods.

Do not use

- Bread wrappers
- Non-polyethylene plastic containers
- Containers without tight lids
- Wax paper or wax-coated freezer wrap
- Thin, semi-permeable wrap

Humidity Controlled Crisper and Glide'N'Serve

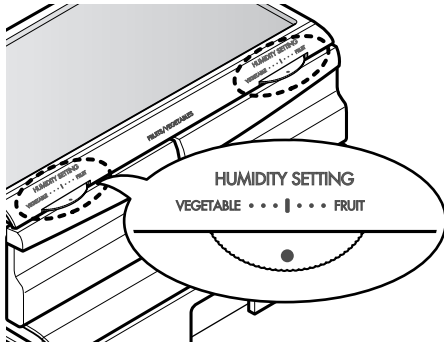
Humidity Controlled Crisper

* Depending on the model, some of the following functions may not be available.

The crispers provide fresher tasting fruit and vegetables by letting you easily control humidity inside the drawer.

You can control the amount of humidity in the moisture-sealed crispers by adjusting the control to any setting between **HIGH** and **LOW**.

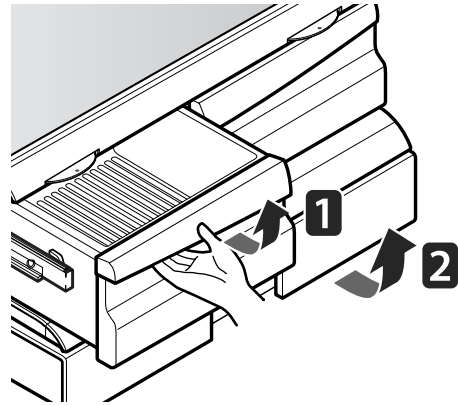
- **HIGH** keeps moist air in the crisper for best storage of fresh, leafy vegetables.
- **LOW** lets moist air out of the crisper for best storage of fruit.



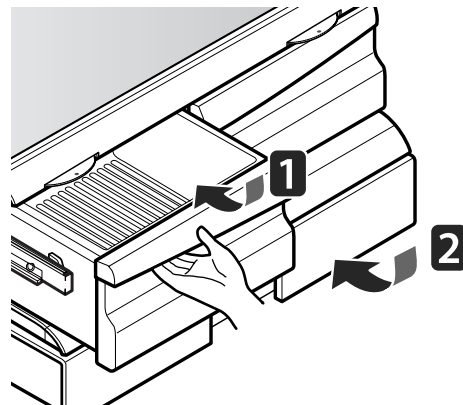
Detaching and Assembling the Storage Bins

Glide'N'Serve and Humidity Controlled Crisper

To remove the Humidity Controlled Crisper and the Glide'N'Serve, pull out the Crisper **1** and Glide'N'Serve **2** to full extension, lift the front up, and pull straight out.



To install, slightly tilt up the front, insert the drawer into the frame and push it back into place.



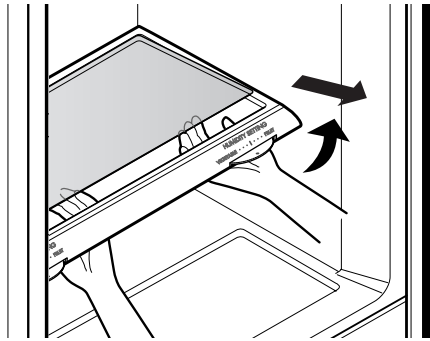
NOTE

Storage Bins may vary in appearance, depending on your model.

To Remove the Glass

(Pantry drawer not shown for clarity)

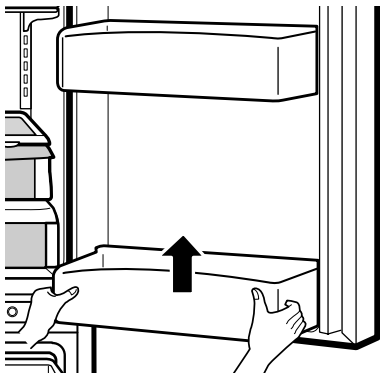
Lift up the glass under the crisper cover, and pull up and out.



Door Bins

The door bins are removable for easy cleaning and adjustment.

- 1 To remove the bin, simply lift the bin up and pull straight out.
- 2 To replace the bin, slide it in above the desired support and push down until it snaps into place.



NOTE

Some bins may vary in appearance and will only fit in one location.

CAUTION

- Do not apply excessive force while detaching or assembling the storage bins.
- Do not use the dishwasher to clean the storage bins and shelves.
- Regularly detach and wash the storage bins and shelves; they can become easily contaminated by the food.

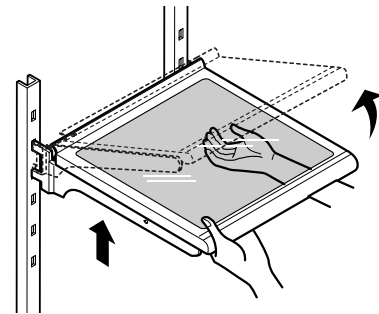
Adjusting the Refrigerator Shelves

The shelves in your refrigerator are adjustable to meet your individual storage needs. Your model may have glass or wire shelves.

Adjusting the shelves to fit different heights of items will make finding the exact item you want easier. Doing so will also reduce the amount of time the refrigerator door is open which will save energy.

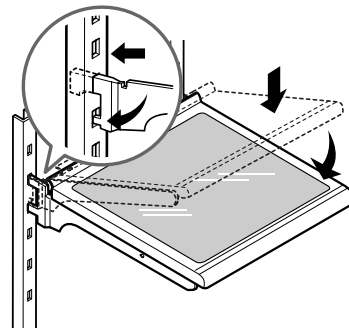
Detaching the Shelf

Tilt up the front of the shelf and lift it straight up. Pull the shelf out.



Assembling the Shelf

Tilt the front of the shelf up and guide the shelf hooks into the slots at a desired height. Then, lower the front of the shelf so that the hooks drop into the slots.



CAUTION

Make sure that shelves are level from one side to the other. Failure to do so may result in the shelf falling or spilling food.

MAINTENANCE

Cleaning

- Both the refrigerator and freezer sections defrost automatically; however, clean both sections about once a month to prevent odors.
- Wipe up spills immediately.
- Always unplug the refrigeration before cleaning.

General Cleaning Tips

- Unplug refrigerator or disconnect power.
- Remove all removable parts, such as shelves, crispers, etc.
- Use a clean sponge or soft cloth and a mild detergent in warm water. Do not use abrasive or harsh cleaners.
- Hand wash, rinse and dry all surfaces thoroughly.

Exterior

Waxing external painted metal surfaces helps provide rust protection. Do not wax plastic parts. Wax painted metal surfaces at least twice a year using appliance wax (or auto paste wax). Apply wax with a clean, soft cloth.

For products with a stainless steel exterior, use a clean sponge or soft cloth and a mild detergent in warm water. Do not use abrasive or harsh cleaners. Dry thoroughly with a soft cloth.

CAUTION

- Do not use a rough cloth or sponge when cleaning the interior and exterior of the refrigerator.
- Do not place your hand on the bottom surface of the refrigerator when opening and closing.

WARNING

Use non-flammable cleaner. Failure to do so can result in fire, explosion, or death.

Inside Walls (allow freezer to warm up so the cloth will not stick)

To help remove odors, you can wash the inside of the refrigerator with a mixture of baking soda and warm water. Mix 2 tablespoons of baking soda to 1 quart of water (26 g soda to 1 liter water.) Be sure the baking soda is completely dissolved so it does not scratch the surfaces of the refrigerator.

Door Liners and Gaskets

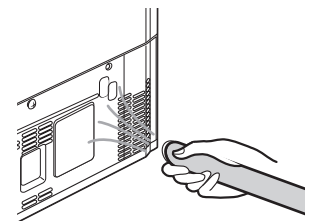
Use a clean sponge or soft cloth and a mild detergent in warm water. Do not use cleaning waxes, concentrated detergents, bleaches, or cleaners containing petroleum on plastic refrigerator parts.

Plastic Parts (covers and panels)

Use a clean sponge or soft cloth and a mild detergent in warm water. Do not use window sprays, abrasive cleansers, or flammable fluids. These can scratch or damage the material.

Condenser Coils

Use a vacuum cleaner with an attachment to clean the condenser cover and vents. Do not remove the panel covering the condenser coil area.



Replacing the Water Filter

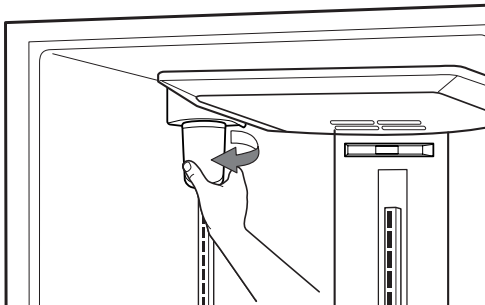
It is recommended that you replace the filter when the water filter indicator light turns on or the water dispenser or icemaker noticeably decreases production.

NOTE

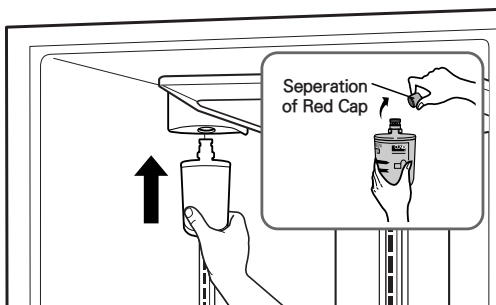
- Filter Bypass Plug
Keep the filter bypass plug.
You must use the filter bypass plug when a replacement filter cartridge is not available.
The icemaker will not operate without the filter or filter bypass plug inserted in the proper compartment.

- 1 Slowly turn the old cartridge to the left. When the cartridge is released, you will feel it click out of place.

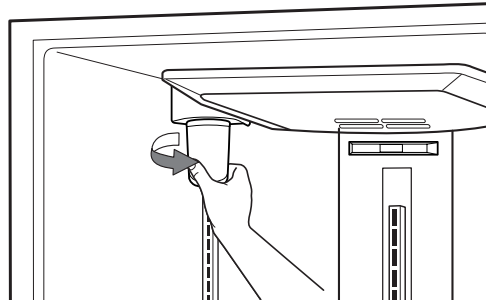
NOTE: Replacing the filter causes a small amount of water (around 1 oz. or 25 cc) to drain.



- 2 Remove the old cartridge. Take the new cartridge out of its packaging, and remove the red cap. Line up the cartridge ears so that it can be inserted into the filter head.



- 3 Twist the cartridge right about 1/4 turn. You will feel a stop and the locked symbol should now be lined up with the indicator line.



After replacing the filter, flush 2.5 gallons through filter before use (flush for approximately 5 minutes). Check the filter for leaks.



After changing the filter, press and hold the FILTER button for 3 seconds to turn the indicator light off.

CAUTION

DO NOT operate refrigerator without water filter or water filter plug installed.

NOTE

- To purchase a replacement water filter:
 - Visit your local dealer or distributor
 - Web: Find Parts & Accessories from Support section of lg.com
 - Call : 1-800-243-0000 (USA)
1-888-542-2623 (Canada)
- Part number of the replacement water filter: 5231JA2002A

Performance Data Sheet

Models Number 5231JA2002A-S

Use with replacement cartridge 5231JA2002A

This system has been tested according to NSF/ANSI Standards 42 for the reduction of the substances listed below. The concentration of the indicated substances in water entering the system was reduced to a concentration less than or equal to the permissible limit for water leaving the system as specified in NSF/ANSI 42.



System tested and certified by NSF International against NSF/ANSI Standard 42 for the reduction of Chlorine Taste and Odor and Nominal Particulate Class III.

Capacity: 500 gal (1,892 L)

Substance	Average Influent Concentration	Influent Challenge Concentration. Units apply to each row	Average Product Water Concentration	Average % Reduction	NSF % reduction req. or Max. permissible product water concentration
Nominal Particulate Class I Particle size: >0.5 to < 1 um	24,333	At least 10,000 particles/ml	915	96	≥ 85%
Chlorine taste and odor Class III	1.9	2.0 mg/L ± 10%	0.07	96.4	≥ 50%

Note that while the testing was performed under standard laboratory conditions, actual performance may vary.

Application Guidelines/Water Supply Parameters	
Service Flow	0.5 gpm (1.89 lpm)
Water Pressure	20 -125 psi (138 – 862 kPa)
Water Temperature	36 °F - 100 °F (0.6 °C - 37.8 °C)

CAUTION

To reduce the risk of property damage due to water leakage:

- **Read and follow.** Use instructions before installation and use of this system.
- Install on COLD water lines only.
- Comply with all state and local plumbing codes.
- Install a pressure limiting device and water hammer arrester for inlet water pressures exceeding 80 psi (552 kPa). Refer to Uniform Plumbing Code, Sections 608.2 and 609.10).
- Never install or operate where inlet water pressure may exceed 125 psi (862 kPa).
- Protect filter from freezing. Remove filter in temperatures below 33°F (0.6°C).
- Replace cartridge at specified service interval. Cartridge **MUST** be replaced at least every 12 months.

WARNING

Do not use with water that is microbiologically unsafe or of unknown quality without adequate disinfection before or after the system.

Systems must be installed and operated in accordance with manufacturer's recommended procedures and guidelines. Warranty: See Warranty Card for Details.

For a replacement cartridge or for service contact your local dealer. You can also visit our website; www.lg.com or call **1-877-714-7486**.

Manufactured for LG® Electronics by:
 CUNO Incorporated a 3M Company 400 Research Parkway
 Meriden, CT 06450 U.S.A.
 Telephone: 203-237-5541
 Fax: 203-238-8701

SMART DIAGNOSIS



Should you experience any problems with your refrigerator, it has the capability of transmitting data via your telephone to the LG service center. This gives you the capability of speaking directly to our trained specialists. The specialist records the data transmitted from your machine and uses it to analyze the issue, providing a fast and effective diagnosis.

If you experience problems with your refrigerator, call 1-800-243-0000. Only use the Smart Diagnosis feature when instructed to do so by the LG call center agent. The transmission sounds that you will hear are normal and sound similar to a fax machine.

Smart Diagnosis cannot be activated unless your refrigerator is connected to power. If your refrigerator is unable to turn on, then troubleshooting must be done without using Smart Diagnosis.

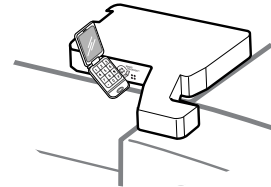
Using Smart Diagnosis

First, call 1-800-243-0000. Only use the Smart Diagnosis feature when instructed to do so by the LG call center agent.

- 1 Lock the display. To lock the display, press and hold the Lock button for three seconds. (If the display has been locked for over five minutes, you must deactivate the lock and then reactivate it.)



- 2 Open the right refrigerator door.
- 3 Hold the mouthpiece of your phone in front of the speaker that is located on the right hinge of the refrigerator door, when instructed to do so by the call center.



- 4 Press and hold the Freezer Temperature button for three seconds while continuing to hold your phone to the speaker.



- 5 After you hear three beeps, release the Freezer Temperature button.
- 6 Keep the phone in place until the tone transmission has finished. This takes about 15 seconds, and the display will count down the time. Once the countdown is over and the tones have stopped, resume your conversation with the specialist, who will then be able to assist you in using the information transmitted for analysis.

NOTE

- For best results, do not move the phone while the tones are being transmitted.
- If the call center agent is not able to get an accurate recording of the data, you may be asked to try again.

TROUBLESHOOTING

Review the Troubleshooting section before calling for service; doing so will save you both time and money.

Problem	Possible Causes	Solutions
Refrigerator and Freezer section are not cooling.	The refrigerator control is set to OFF (some models).	Turn the control ON. Refer to the Setting the Controls section for proper temperature settings.
	Refrigerator is set to demo mode.	Demo Mode allows the lights and control display to work normally while disabling cooling to save energy while on the showroom floor. Refer to the Setting the Controls section for instructions on how to disable Demo Mode.
	Refrigerator is in the defrost cycle.	During the defrost cycle, the temperature of each compartment may raise slightly. Wait 30 minutes and confirm the proper temperature has been restored once the defrost cycle has completed.
	Refrigerator was recently installed.	It may take up to 24 hours for each compartment to reach the desired temperature.
	Refrigerator was recently relocated.	If the refrigerator was stored for a long period of time or moved on its side, it is necessary for the refrigerator to stand upright for 24 hours before connecting it to power.
Cooling System runs too much.	Refrigerator is replacing an older model.	Modern refrigerators require more operating time but use less energy due to more efficient technology.
	Refrigerator was recently plugged in or power restored.	The refrigerator will take up to 24 hours to cool completely.
	Door opened often or a large amount of food / hot food was added.	Adding food and opening the door warms the refrigerator, requiring the compressor to run longer in order to cool the refrigerator back down. In order to conserve energy, try to get everything you need out of the refrigerator at once, keep food organized so it is easy to find, and close the door as soon as the food is removed. (Refer to the Food Storage Guide.)
	Doors are not closed completely.	Firmly push the doors shut. If they will not shut all the way, see the Doors will not close completely or pop open section in Parts & Features Troubleshooting.
	Refrigerator is installed in a hot location.	The compressor will run longer under warm conditions. At normal room temperatures (70°F) expect your compressor to run about 40% to 80% of the time. Under warmer conditions, expect it to run even more often. The refrigerator should not be operated above 110°F.
	Condenser / back cover is clogged.	Use a vacuum cleaner with an attachment to clean the condenser cover and vents. Do not remove the panel covering the condenser coil area.

Problem	Possible Causes	Solutions
Refrigerator or Freezer section is too warm.	Refrigerator was recently installed.	It may take up to 24 hours for each compartment to reach the desired temperature.
	Air vents are blocked.	Rearrange items to allow air to flow throughout the compartment. Refer to the Airflow diagram in the Using Your Refrigerator section.
	Doors are opened often or for long periods of time.	When the doors are opened often or for long periods of time, warm, humid air enters the compartment. This raises the temperature and moisture level within the compartment. To lessen the effect, reduce the frequency and duration of door openings.
	Unit is installed in a hot location.	The refrigerator should not be operated in temperatures above 110F.
	A large amount of food or hot food was added to either compartment.	Adding food warms the compartment requiring the cooling system to run. Allowing hot food to cool to room temperature before putting it in the refrigerator will reduce this effect.
	Doors not closed correctly.	See the Doors will not close correctly or pop open section in Parts & Features Troubleshooting.
	Temperature control is not set correctly.	If the temperature is too warm, adjust the control one increment at a time and wait for the temperature to stabilize. Refer to the Setting the Controls section for more information.
	Defrost cycle has recently completed.	During the defrost cycle, the temperature of each compartment may raise slightly and condensation may form on the back wall. Wait 30 minutes and confirm the proper temperature has been restored once the defrost cycle has completed.
Interior moisture buildup.	Doors are opened often or for long periods of time.	When the doors are opened often or for long periods of time, warm, humid air enters the compartment. This raises the temperature and moisture level within the compartment. To lessen the effect, reduce the frequency and duration of door openings.
	Doors not closed correctly.	See the Doors will not close correctly section in the Troubleshooting section.
	Weather is humid.	Humid weather allows additional moisture to enter the compartments when the doors are opened leading to condensation or frost. Maintaining a reasonable level of humidity in the home will help to control the amount of moisture that can enter the compartments.
	Defrost cycle recently completed.	During the defrost cycle, the temperature of each compartment may raise slightly and condensation may form on the back wall. Wait 30 minutes and confirm that the proper temperature has been restored once the defrost cycle has completed.
	Food is not packaged correctly.	Food stored uncovered or unwrapped, and damp containers can lead to moisture accumulation within each compartment. Wipe all containers dry and store food in sealed packaging to prevent condensation and frost.

Problem	Possible Causes	Solutions
Food is freezing in the refrigerator compartment.	Food with high water content was placed near an air vent.	Rearrange items with high water content away from air vents.
	Refrigerator temperature control is set incorrectly.	If the temperature is too cold, adjust the control one increment at a time and wait for the temperature to stabilize. Refer to the Setting the Controls section for more information.
	Refrigerator is installed in a cold location.	When the refrigerator is operated in temperature below 41°F (5°C), food can freeze in the refrigerator compartment. The refrigerator should not be operated in temperature below 55°F (13°C).
Frost or ice crystals form on frozen food (outside of package).	Door is opened frequently or for long periods of time.	When the doors are opened often or for long periods of time, warm, humid air enters the compartment. This raises the temperature and moisture level within the compartment. Increased moisture will lead to frost and condensation. To lessen the effect, reduce the frequency and duration of door openings.
	Door is not closing properly.	Refer to the Doors will not close correctly or pop open section in the Troubleshooting section.
Refrigerator or Freezer section is too cold.	Incorrect temperature control settings.	If the temperature is too cold, adjust the control one increment at a time and wait for the temperature to stabilize. Refer to the Setting the Controls section for more information.
Frost or ice crystals on frozen food (inside of sealed package).	Condensation from food with a high water content has frozen inside of the food package.	This is normal for food items with a high water content.
	Food has been left in the freezer for a long period of time.	Do not store food items with high water content in the freezer for a long period of time.
Icemaker is not making enough ice.	Demand exceeds ice storage capacity.	The icemaker will produce approximately 100 cubes in a 24 hour period.
	House water supply is not connected, valve is not turned on fully, or valve is clogged.	Connect the refrigerator to a cold water supply with adequate pressure and turn the water shutoff valve fully open. If the problem persists, it may be necessary to contact a plumber.
	Water filter has been exhausted.	It is recommended that you replace the water filter: <ul style="list-style-type: none"> • Approximately every six months. • When the water filter indicator turns on. • When the water dispenser output decreases. • When the ice cubes are smaller than normal.
	Low house water supply pressure.	The water pressure must be between 20 and 125 psi on models without a water filter and between 40 and 125 psi on models with a water filter. If the problem persists, it may be necessary to contact a plumber.
	Reverse Osmosis filtration system is used.	Reverse osmosis filtration systems can reduce the water pressure below the minimum amount and result in icemaker issues. (Refer to Water Pressure section.)
	Tubing connecting refrigerator to house supply valve is kinked.	The tubing can kink when the refrigerator is moved during installation or cleaning resulting in reduced water flow. Straighten or repair the water supply line and arrange it to prevent future kinks.

Problem	Possible Causes	Solutions
Icemaker is not making enough ice (continued).	Doors are opened often or for long periods of time.	If the doors of the unit are opened often, ambient air will warm the refrigerator which will prevent the unit from maintaining the set temperature. Lowering the refrigerator temperature can help, as well as not opening the doors as frequently.
	Doors are not closed completely.	If the doors are not properly closed, ice production will be affected. See the Doors will not close completely or pop open section in Parts & Features Troubleshooting for more information.
	The temperature setting for the freezer is too warm.	The recommended temperature for the freezer compartment for normal ice production is 0°F. If the freezer temperature is warmer, ice production will be affected.
Dispensing water slowly.	Water filter has been exhausted.	It is recommended that you replace the water filter: <ul style="list-style-type: none"> • Approximately every six months. • When the water filter indicator turns on. • When the water dispenser output decreases. • When the ice cubes are smaller than normal.
	Reverse osmosis filtration system is used.	Reverse osmosis filtration systems can reduce the water pressure below the minimum amount and result in icemaker issues. If the problem persists, it may be necessary to contact a plumber.
	Low house water supply pressure.	The water pressure must be between 20 and 125 psi on models without a water filter and between 40 and 125 psi on models with a water filter. If the problem persists, it may be necessary to contact a plumber.
Not dispensing ice.	Doors are not closed completely.	Ice will not dispense if any of the refrigerator doors are left open.
	Infrequent use of the dispenser.	Infrequent use of the ice dispenser will cause the cubes to stick together over time, which will prevent them from properly dispensing. Check the ice bin for ice cubes clumping/sticking together. If they are, break up the ice cubes to allow for proper operation.
	The delivery chute is clogged with frost or ice fragments.	Eliminate the frost or ice fragments by removing the ice bin and clearing the chute with a plastic utensil. Dispensing cubed ice can also help prevent frost or ice fragment buildup.
	The dispenser display is locked.	Press and hold the Lock button for three seconds to unlock the control panel and dispenser.
	Ice bin is empty.	It may take up to 24 hours for each compartment to reach the desired temperature and for the icemaker to begin making ice. Make sure that the shutoff (arm/sensor) is not obstructed. Once the ice supply in the bin has been completely exhausted, it may take up to 90 minutes before additional ice is available, and approximately 24 hours to completely refill the bin.

Problem	Possible Causes	Solutions
Icemaker is not making ice.	Refrigerator was recently installed or icemaker recently connected.	It may take up to 24 hours for each compartment to reach the desired temperature and for the icemaker to begin making ice.
	Icemaker not turned on.	Locate the icemaker ON/OFF switch and confirm that it is in the ON (I) position.
	The ice detecting sensor is obstructed.	Foreign substances or frost on the ice-detecting sensor can interrupt ice production. Make sure that the sensor area is clean at all times for proper operation.
	The refrigerator is not connected to a water supply or the supply shutoff valve is not turned on.	Connect refrigerator to the water supply and turn the water shutoff valve fully open.
	Icemaker shutoff (arm or sensor) obstructed.	If your icemaker is equipped with an ice shutoff arm, make sure that the arm moves freely. If your icemaker is equipped with the electronic ice shutoff sensor, make sure that there is a clear path between the two sensors.
	Reverse osmosis water filtration system is connected to your cold water supply.	Reverse osmosis filtration systems can reduce the water pressure below the minimum amount and result in icemaker issues. (Refer to the Water Pressure section.)
Not dispensing water.	New installation or water line recently connected.	Dispense 2.5 gallons of water (flush for approximately 5 minutes) to remove trapped air and contaminants from the system. Do not dispense the entire 2.5 gallon amount continuously. Depress and release the dispenser pad for cycles of 30 seconds ON and 60 seconds OFF.
	The dispenser panel is locked.	Press and hold the Lock button for three seconds to unlock the control panel and dispenser.
	The dispenser is not set for water dispensing.	The dispenser can be set for ice or water. Make certain that the control panel is set for the proper operation. Press the Water button on the control panel to dispense water.
	Refrigerator or freezer doors are not closed properly.	Water will not dispense if any of the refrigerator doors are left open.
	Water filter has been recently removed or replaced.	After the water filter is replaced, dispense 2.5 gallons of water (flush for approximately 5 minutes) to remove trapped air and contaminants from the system. Do not dispense the entire 2.5 gallon amount continuously. Depress and release the dispenser pad for cycles of 30 seconds ON and 60 seconds OFF.
	Tubing connecting refrigerator to house supply valve is kinked.	The tubing can kink when the refrigerator is moved during installation or cleaning resulting in reduced water flow. Straighten or repair the water supply line and arrange it to prevent future kinks.
	The house water supply is not connected, the valve is not turned on fully, or the valve is clogged.	Connect refrigerator to the water supply and turn the water shutoff valve fully open. If the problem persists, it may be necessary to contact a plumber.

Problem	Possible Causes	Solutions
Ice has bad taste or odor.	Water supply contains minerals such as sulfur.	A water filter may need to be installed to eliminate taste and odor problems. NOTE: In some cases, a filter may not help. It may not be possible to remove all minerals / odor / taste in all water supplies.
	Icemaker was recently installed.	Discard the first few batches of ice to avoid discolored or bad tasting ice.
	Ice has been stored for too long.	Ice that has been stored for too long will shrink, become cloudy, and may develop a stale taste. Throw away old ice and make a new supply.
	The food has not been stored properly in either compartment.	Rewrap the food. Odors may migrate to the ice if food is not wrapped properly.
	The interior of the refrigerator needs to be cleaned.	See the Care and Cleaning section for more information.
	The ice storage bin needs to be cleaned.	Empty and wash the bin (discard old cubes). Make sure that the bin is completely dry before reinstalling it.
Dispensing warm water.	Refrigerator was recently installed.	Allow 24 hours after installation for the water storage tank to cool completely.
	The water dispenser has been used recently and the storage tank was exhausted.	Depending on your specific model, the water storage capacity will range from approximately 20 to 30 oz.
	Dispenser has not been used for several hours.	If the dispenser has not been used for several hours, the first glass dispensed may be warm. Discard the first 10 oz.
	Refrigerator is connected to the hot water supply.	Make sure that the refrigerator is connected to a cold water pipe. ⚠️WARNING: Connecting the refrigerator to a hot water line may damage the icemaker.
Water has bad taste or odor.	Water supply contains minerals such as sulfur.	A water filter may need to be installed to eliminate taste and odor problems.
	Water filter has been exhausted.	It is recommended that you replace the water filter: <ul style="list-style-type: none"> • Approximately every 6 months. • When the water filter indicator turns on. • When the water dispenser output decreases. • When the ice cubes are smaller than normal.
	Refrigerator was recently installed.	Dispense 2.5 gallons of water (flush for approximately 5 minutes) to remove trapped air and contaminants from the system. Do not dispense the entire 2.5 gallon amount continuously. Depress and release the dispenser pad for cycles of 30 seconds ON and 60 seconds OFF.
Icemaker is making too much ice.	Icemaker shutoff (arm/sensor) is obstructed.	Empty the ice bin. If your icemaker is equipped with an ice shutoff arm, make sure that the arm moves freely. If your icemaker is equipped with the electronic ice shutoff sensor, make sure that there is a clear path between the two sensors. Reinstall the ice bin and wait 24 hours to confirm proper operation.

Problem	Possible Causes	Solutions
Clicking	The defrost control will click when the automatic defrost cycle begins and ends. The thermostat control (or refrigerator control on some models) will also click when cycling on and off.	Normal Operation
Rattling	Rattling noises may come from the flow of refrigerant, the water line on the back of the unit, or items stored on top of or around the refrigerator.	Normal Operation
	Refrigerator is not resting solidly on the floor.	Floor is weak or uneven or leveling legs need to be adjusted. See the Door Alignment section.
	Refrigerator with linear compressor was jarred while running.	Normal Operation
Whooshing	Evaporator fan motor is circulating air through the refrigerator and freezer compartments.	Normal Operation
	Air is being forced over the condenser by the condenser fan.	Normal Operation
Gurgling	Refrigerant flowing through the cooling system.	Normal Operation
Popping	Contraction and expansion of the inside walls due to changes in temperature.	Normal Operation
Sizzling	Water dripping on the defrost heater during a defrost cycle.	Normal Operation
Vibrating	If the side or back of the refrigerator is touching a cabinet or wall, some of the normal vibrations may make an audible sound.	To eliminate the noise, make sure that the sides and back cannot vibrate against any wall or cabinet.
Dripping	Water running into the drain pan during the defrost cycle.	Normal Operation
Pulsating or High-Pitched Sound	Your refrigerator is designed to run more efficiently to keep your food items at the desired temperature. The high efficiency compressor may cause your new refrigerator to run longer than your old one, but it is still more energy efficient than previous models. While the refrigerator is running, it is normal to hear a pulsating or high-pitched sound.	Normal Operation

Problem	Possible Causes	Solutions
Doors will not close correctly or pop open.	Food packages are blocking the door open.	Rearrange food containers to clear the door and door shelves.
	Ice bin, crisper cover, pans, shelves, door bins, or baskets are out of position.	Push bins all the way in and put crisper cover, pans, shelves and baskets into their correct positions. See the Using Your Refrigerator section for more information.
	The doors were removed during product installation and not properly replaced.	Remove and replace the doors according to the Removing and Replacing Refrigerator Handles and Doors section.
	Refrigerator is not leveled properly.	See Door Alignment in the Refrigeration Installation section to level refrigerator.
Doors are difficult to open.	The gaskets are dirty or sticky.	Clean the gaskets and the surfaces that they touch. Rub a thin coat of appliance polish or kitchen wax on the gaskets after cleaning.
	Door was recently closed.	When you open the door, warmer air enters the refrigerator. As the warm air cools, it can create a vacuum. If the door is hard to open, wait one minute to allow the air pressure to equalize, then see if it opens more easily.
Refrigerator wobbles or seems unstable.	Leveling legs are not adjusted properly.	Refer to the Leveling and Door Alignment section.
	Floor is not level.	It may be necessary to add shims under the leveling legs or rollers to complete installation.
Lights do not work.	LED interior lighting failure.	The refrigerator compartment lamp is LED interior lighting, and service should be performed by a qualified technician. Refer to the Light Bulb Replacement section.
Refrigerator has an unusual odor.	The Air Filter may need to be set to the MAX setting or replaced.	Set the Air Filter to the MAX setting. If the odor does not go away within 24 hours, the filter may need to be replaced. See the Replacing the Air Filter section for replacement instructions.

WARRANTY (USA)

Should your LG Refrigerator ("Product") fail due to a defect in materials or workmanship under normal home use, during the warranty period set forth below, LG will at its option repair or replace the product. This limited warranty is valid only to the original retail purchaser of the product and applies only when purchased and used within the United States including U.S. Territories. Proof of original retail purchase is required to obtain warranty service under this limited warranty.

WARRANTY PERIOD			
Refrigerator	Sealed System (Condenser, Dryer, Connecting Tube, Refrigerant and Evaporator)		Linear Compressor
One (1) year from the date of original retail purchase	One (1) year from the date of original retail purchase	Seven (7) years from the date of original retail purchase	Ten (10) years from the date of original retail purchase
Parts and Labor (internal/functional parts only)	Parts and Labor	Parts only (Consumer will be charged for labor)	Part only (Consumer will be charged for labor)

Noises associated with normal operation and failure to follow instructions found in the use and care and installation guides or operating the unit in an unsuitable environment will not be covered under this warranty.

- ▶ Replacement products and parts are warranted for the remaining portion of the original warranty period or ninety (90) days, whichever is greater.
- ▶ Replacement products and parts may be new or remanufactured.

THIS WARRANTY IS IN LIEU OF ANY OTHER WARRANTY, EXPRESS OR IMPLIED, INCLUDING WITHOUT LIMITATION, ANY WARRANTY OF MERCHANTABILITY OR FITNESS FOR A PARTICULAR PURPOSE. TO THE EXTENT ANY IMPLIED WARRANTY IS REQUIRED BY LAW, IT IS LIMITED IN DURATION TO THE EXPRESS WARRANTY PERIOD ABOVE. NEITHER THE MANUFACTURER NOR ITS U.S. DISTRIBUTOR SHALL BE LIABLE FOR ANY INCIDENTAL, CONSEQUENTIAL, INDIRECT, SPECIAL, OR PUNITIVE DAMAGES OF ANY NATURE, INCLUDING WITHOUT LIMITATION, LOST REVENUES OR PROFITS, OR ANY OTHER DAMAGE WHETHER BASED IN CONTRACT, TORT, OR OTHERWISE. Some states do not allow the exclusion or limitation of incidental or consequential damages or limitations on how long an implied warranty lasts, so the above exclusion or limitation may not apply to you. This warranty gives you specific legal rights and you may also have other rights that vary from state to state.

THIS LIMITED WARRANTY DOES NOT COVER:

1. Service trips to deliver, pick up, install, or repair the product; instruct the customer on operation of the product; repair or replace fuses or correct wiring or plumbing, or correction of unauthorized repairs/installation.
2. Failure of product to perform during power failures and interruptions or inadequate electrical service.
3. Damage caused by leaky or broken water pipes, frozen water pipes, restricted drain lines, inadequate or interrupted water supply or inadequate supply of air.
4. Damage resulting from operating the product in a corrosive atmosphere or contrary to the instructions outlined in the product owner's manual.
5. Damage to the product caused by accidents, pests and vermin, lightning, wind, fire, floods, or acts of God.
6. Damage resulting from misuse, abuse, improper installation, repair, or maintenance. Improper repair includes use of parts not approved or specified by LG.
7. Damage or failure caused by unauthorized modification or alteration, or if it is used for other than the intended purpose, or any water leakage where the unit was not properly installed.
8. Damage or failure caused by incorrect electrical current, voltage, or plumbing codes, commercial or industrial use, or use of accessories, components, or consumable cleaning products that are not approved by LG.
9. Damage caused by transportation and handling, including scratches, dents, chips, and/or other damage to the finish of your product, unless such damage results from defects in materials or workmanship and is reported within one (1) week of delivery (Call: 1-800-243-0000).
10. Damage or missing items to any display, open box, discounted, or refurbished product.
11. Products with original serial numbers that have been removed, altered, or can not be readily determined. Model and Serial numbers, along with original retail sales receipt, are required for warranty validation.
12. Increases in utility costs and additional utility expenses.
13. Replacement of light bulbs, filters, or any consumable parts.
14. Repairs when your product is used in other than normal and usual household use (e.g. commercial use, offices, and recreational facilities) or contrary to the instructions outlined in the product owner's manual.
15. Costs associated with removal of your product from your home for repairs.
16. The removal and reinstallation of the product if it is installed in an inaccessible location or is not installed in accordance with published installation instructions, including LG's owner's and installation manuals.
17. Shelves, door bins, drawers, handles, accessories, and other parts besides those that were originally included with this particular model.

The cost of repair or replacement under these excluded circumstances shall be borne by the consumer.

For complete warranty details and customer assistance, please call or visit our website:

Call 1-800-243-0000 (24 hours a day, 365 days a year) and select the appropriate option from the menu, or visit our website at www.lg.com

Or by mail: LG Customer Information Center:
P. O. Box 240007, 201 James Record Road Huntsville, Alabama
35813 ATTN: CIC

Write your warranty information below:

Product Registration Information: _____

Model: _____

Serial Number: _____

Date of Purchase: _____

WARRANTY (CANADA)

WARRANTY: Should your LG Refrigerator ("Product") fail due to a defect in material or workmanship under normal home use during the warranty period set forth below, LG Canada will at its option repair or replace the Product upon receipt of proof of original retail purchase. This warranty is valid only to the original retail purchaser of the product and applies only to a Product distributed in Canada by LG Canada or an authorized Canadian distributor thereof. The warranty only applies to Products located and used within Canada.

WARRANTY PERIOD: (Note: If the original date of purchase can not be verified, the warranty will begin sixty (60) days from the date of manufacture)			
Refrigerator/Freezer	Sealed System (Condenser, Dryer, Connecting Tube, Refrigerant and Evaporator)		Linear Compressor
One (1) year from the date of original retail purchase	One (1) year from the date of original retail purchase	Seven (7) years from the date of original retail purchase	Ten (10) years from the date of original retail purchase
Parts and Labor (internal/functional parts only)	Parts and Labor	Parts only (Consumer will be charged for labor)	Part only (Consumer will be charged for labor)

Noises associated with normal operation and failure to follow instructions found in the use and care and installation guides or operating the unit in an unsuitable environment will not be covered under this warranty.

► Replacement products and parts are warranted for the remaining portion of the original warranty period or ninety (90) days, whichever is greater.

► Replacement products and parts may be new or remanufactured.

► LG Authorized Service Center warranties their repair work for thirty (30) days.

LG CANADA'S SOLE LIABILITY IS LIMITED TO THE WARRANTY SET OUT ABOVE. EXCEPT AS EXPRESSLY PROVIDED ABOVE, LG CANADA MAKES NO AND HEREBY DISCLAIMS ALL OTHER WARRANTIES AND CONDITIONS RESPECTING THE PRODUCT, WHETHER EXPRESS OR IMPLIED, INCLUDING, BUT NOT LIMITED TO, ANY IMPLIED WARRANTY OR CONDITION OF MERCHANTABILITY OR FITNESS FOR A PARTICULAR PURPOSE, AND NO REPRESENTATIONS SHALL BE BINDING ON LG CANADA. LG CANADA DOES NOT AUTHORIZE ANY PERSON TO CREATE OR ASSUME FOR IT ANY OTHER WARRANTY OBLIGATION OR LIABILITY IN CONNECTION WITH THE PRODUCT. TO THE EXTENT THAT ANY WARRANTY OR CONDITION IS IMPLIED BY LAW, IT IS LIMITED TO THE EXPRESS WARRANTY PERIOD ABOVE. LG CANADA, THE MANUFACTURER OR DISTRIBUTOR SHALL NOT BE LIABLE FOR ANY INCIDENTAL, CONSEQUENTIAL, SPECIAL, DIRECT OR INDIRECT DAMAGES, LOSS OF GOODWILL, LOST PROFITS, PUNITIVE OR EXEMPLARY DAMAGES OR ANY OTHER DAMAGE, WHETHER ARISING DIRECTLY OR INDIRECTLY FROM ANY CONTRACTUAL BREACH, FUNDAMENTAL OR OTHERWISE, OR FROM ANY ACTS OR OMISSIONS, TORT, OR OTHERWISE. This warranty gives you specific legal rights. You may have other rights which may vary from province to province depending on applicable provincial laws. Any term of this warranty that negates or varies any implied condition or warranty under provincial law is severable where it conflicts with provincial law without affecting the remainder of this warranty's terms.

THIS LIMITED WARRANTY DOES NOT COVER:

- Service trips to deliver, pick up, or install the product; instructing a customer on operation of the product; repair or replacement of fuses or correction of wiring or plumbing, or correction of unauthorized repairs/installation.
- Failure of the product to perform during power failures and interruptions or inadequate electrical service.
- Damage caused by leaky or broken water pipes, frozen water pipes, restricted drain lines, inadequate or interrupted water supply or inadequate supply of air.
- Damage resulting from operating the Product in a corrosive atmosphere or contrary to the instructions outlined in the Product owner's manual.
- Damage to the Product caused by accidents, pests and vermin, lightning, wind, fire, floods, or acts of God.
- Damage resulting from the misuse, abuse, improper installation, repair, or maintenance of the Product. Improper repair includes use of parts not approved or specified by LG Canada.
- Damage or product failure caused by unauthorized modification or alteration, or use for other than its intended purpose, or resulting from any water leakage due to improper installation.
- Damage or Product failure caused by incorrect electrical current, voltage, or plumbing codes, commercial or industrial use, or use of accessories, components, or cleaning products that are not approved by LG Canada.
- Damage caused by transportation and handling, including scratches, dents, chips, and/or other damage to the finish of your product, unless such damage results from defects in materials or workmanship and is reported within one (1) week of delivery.
- Damage or missing items to any display, open box, discounted, or refurbished Product.
- Products with original serial numbers that have been removed, altered, or cannot be readily determined. Model and Serial numbers, along with original retail sales receipt, are required for warranty validation.
- Increases in utility costs and additional utility expenses.
- Replacement of light bulbs, filters, or any consumable parts.
- Repairs when your Product is used in other than normal and usual household use (including, without limitation, commercial use, in offices or recreational facilities) or contrary to the instructions outlined in the Product owner's manual.
- Costs associated with removal of the Product from your home for repairs.
- The removal and reinstallation of the Product if it is installed in an inaccessible location or is not installed in accordance with published installation instructions, including the Product owner's and installation manuals.
- Shelves, door bins, drawers, handles, and accessories to the Product. Also excluded are parts besides those that were originally included with the Product.

All costs associated with the above excluded circumstances shall be borne by the consumer.

For complete warranty details and customer assistance, please call or visit our website: Call 1-888-542-2623 (24 hours a day, 365 days a year) and select the appropriate option from the menu, or visit our website at <http://www.lg.ca>

Write your warranty information below: _____
 Product Registration Information: _____
 Model: _____ Serial Number: _____
 Date of Purchase: _____



FRANÇAIS

MANUEL DU PROPRIÉTAIRE RÉFRIGÉRATEUR À PORTE-FENÊTRE

Veillez lire ce manuel attentivement avant l'utilisation et conservez-le pour référence en tout temps.

LFX25974**

TABLE DES MATIÈRES

3 CARACTÉRISTIQUES DU PRODUIT

4 INSTRUCTIONS IMPORTANTES SUR LA SÉCURITÉ

7 COMPOSANTES

- 7 Extérieur du réfrigérateur
- 8 Intérieur du réfrigérateur
- 8 - Parties et Composantes Essentielles
- 9 - Caractéristiques Spéciales

10 INSTALLATION

- 10 Spécifications
- 11 Déballage de Votre Réfrigérateur
- 11 Choisir le Bon Emplacement
- 11 - Mise à la Terre
- 11 - Température Ambiante
- 11 - Mesurer les Niveaux d'Habilitation
- 12 Détachement/Montage des Poignées du Battant du Réfrigérateur
- 12 Détachement/Montage de la Poignée du Tiroir du Freezer
- 13 Détachement/Montage des Battants et Tiroirs
- 13 - Détachement du Battant Gauche du Réfrigérateur
- 14 - Détachement du Battant Droit du Réfrigérateur
- 14 - Montage du Battant Droit du Réfrigérateur
- 15 - Montage du Battant Gauche du Réfrigérateur
- 16 - Détachement des Tiroirs du Freezer
- 17 - Montage des Tiroirs du Freezer
- 18 Connexion de la Canalisation d'Eau
- 18 - Avant l'Emploi
- 18 - Pression d'Eau
- 18 - Ce qu'il Vous Faudra
- 19 - Instruction s sur l'Installation de la Canalisation d'Eau
- 20 Mise en Marche
- 21 Mise à Niveau et Aligement du Battant

22 MODE D'UTILISATION

- 22 Avant l'Utilisation
- 22 Panneau de Commande
- 22 - Caractéristiques du Panneau de Commande
- 25 Bac à Glaçons Intérieur
- 25 - Démontage du Bac à Glaçons Intérieur
- 25 - Montage du Bac à Glaçon Intérieur
- 26 Machine Automatique à Glaçons
- 26 - Mise en Marche/Arrêt de la Machine Automatique à Glaçons
- 27 - Quand Arrêter la Machine à Glaçons
- 27 - Les Bruits Normaux Éventuels
- 27 - Préparer une Longue Mise en Arrêt
- 28 Répartiteur de Glaçons et d'Eau
- 28 - Répartiteur
- 28 - Utiliser le Répartiteur
- 28 - Bloquer le Répartiteur
- 28 - Nettoyer le Pied du Répartiteur
- 29 Stockage des Aliments
- 29 - Lieu de Préservation des Aliments
- 30 - Astuces de Stockage des Aliments
- 30 - Stockage des Aliments Congelés
- 31 Bac à Légumes et Fruits à Humidité Régulée et Glisser et Servir
- 31 Démontage et Montage des Bacs de Stockage
- 32 Ajuster les Étagères du Réfrigérateur

33 ENTRETIEN

- 33 Nettoyage
- 34 Remplacement du Filtre à Eau

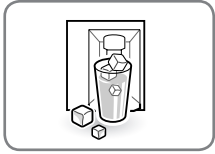
36 SMART DIAGNOSIS

37 DÉPANNAGE

45 GARANTIE

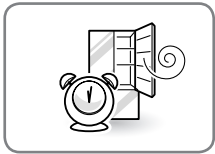
CARACTÉRISTIQUES DU PRODUIT

* Selon le modèle, certaines des fonctions suivantes pourraient ne pas être disponibles.



EAU FILTRÉE ET DISTRIBUTEUR À GLAÇONS

Le distributeur d'eau fournit de l'eau fraîche et glacée. Le distributeur de glaçons fournit des glaçons et de la glace pilée.



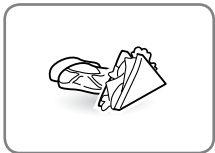
ALARME DE PORTE

La fonction d'alarme de porte est conçue pour empêcher tout dysfonctionnement réfrigérateur qui pourrait se produire si une porte du réfrigérateur ou un tiroir du congélateur restaient ouverts. Si une porte ou un tiroir du réfrigérateur sont laissés ouverts pendant plus de 60 secondes, un signal sonore d'avertissement retentit par intervalles de 30 secondes.



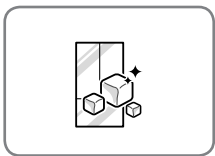
BAC À FRUITS ET LÉGUMES À HUMIDITÉ CONTRÔLÉE

Le bac à légumes à humidité contrôlée est conçu pour conserver vos fruits et légumes frais et croquants. Vous pouvez contrôler le niveau d'humidité dans le bac à légumes en ajustant le réglage entre Bas et Haut.



GLISSER ET SERVIR

La zone « Prêt à l'emploi » vous permet de disposer d'un compartiment de stockage dont la température est plus basse que dans le reste du réfrigérateur. Il s'agit de l'emplacement idéal pour stocker des sandwiches ou de la viande prévue pour être préparée.



GLACE PLUS

La production de glace peut être augmentée d'environ 20 pour cent lorsque la section du congélateur est maintenue à la température la plus froide pour une période de 24 heures.

CONSIGNES IMPORTANTES DE SÉCURITÉ

LIRE TOUTES LES INSTRUCTIONS AVANT D'UTILISER L'APPAREIL.

Ce guide contient de nombreux messages de sécurité importants. Toujours lire et suivre tous les messages de sécurité.



Ceci est le symbole d'alerte de sécurité. Il vous alerte de messages de sécurité qui vous informent de dangers qui peuvent vous tuer ou vous blesser, blesser autrui ou causer des dommages au produit.

Tous les messages de sécurité seront précédés par le symbole d'alerte de sécurité et par le mot AVERTISSEMENT OU ATTENTION. Ces mots signifient :



AVERTISSEMENT Vous pouvez être tué ou gravement blessé si vous ne suivez pas ces instructions.



ATTENTION Indique une situation extrêmement dangereuse qui, si elle n'est pas évitée, peut entraîner des blessures mineures ou modérées, ou endommager le produit.



AVERTISSEMENT

Pour réduire le risque d'incendie, d'électrocution ou de blessures lors de l'utilisation de votre produit, des précautions de base devraient être prises, y compris les suivantes.

Alimentation

- NE JAMAIS débrancher le réfrigérateur en tirant sur le cordon d'alimentation. Toujours tenir fermement la fiche et la retirer de la prise.
- Réparer ou remplacer immédiatement tout cordon effiloché ou endommagé. Ne pas utiliser un cordon qui présente des fissures ou des traces de frottement sur sa longueur ou à l'extrémité de la fiche ou du connecteur.
- Ne pas utiliser une prise de courant non certifiée.
- Débrancher le cordon d'alimentation immédiatement en cas de panne ou d'orage.
- Brancher dans la prise d'alimentation avec le cordon d'alimentation vers le bas.

Installation

- Contacter un centre de service autorisé lorsque vous installez ou déplacez le réfrigérateur.
- Lorsque vous déplacez votre réfrigérateur loin du mur, faites attention de ne pas rouler au-dessus ou endommager le cordon d'alimentation.
- Branchez cet appareil à une prise mise à la terre conforme au régime nominal avant l'utilisation. Il incombe à l'utilisateur de remplacer une prise murale standard à 2-broches avec une prise murale standard à 3 broches.
- Ne pas installer le réfrigérateur où il peut y avoir un danger de chute.

Utilisation

- NE PAS permettre aux enfants de grimper, de se tenir, ou de se suspendre à la porte du réfrigérateur ou sur des étagères dans le réfrigérateur. Ils pourraient endommager le réfrigérateur et se blesser gravement.
- Ne pas placer d'objets lourds sur le distributeur du réfrigérateur et ne pas s'y accrocher.
- Ne pas placer d'objets lourds ou dangereux (bouteilles de liquide) sur le réfrigérateur.
- Ne pas mettre d'animaux vivants à l'intérieur du réfrigérateur.
- Ne pas laisser les enfants monter dans le produit lorsqu'il est en cours d'utilisation.
- Dans le cas d'une fuite de gaz (propane / GPL), ventiler suffisamment et contacter un centre de service autorisé avant l'utilisation. Ne pas toucher ni démonter la prise électrique du réfrigérateur.
- Dans le cas d'une fuite de fluide réfrigérant, déplacer les objets inflammables loin du réfrigérateur. Ventiler suffisamment et contacter un centre de service autorisé.
- Ne pas utiliser ni mettre des substances inflammables (produits chimiques, médicaments, cosmétiques, etc.) près du réfrigérateur et ne pas les stocker à l'intérieur du réfrigérateur. Ne pas placer le réfrigérateur à proximité de gaz inflammables.

LIRE TOUTES LES INSTRUCTIONS AVANT D'UTILISER L'APPAREIL.

Pour réduire le risque d'incendie, d'électrocution ou de blessures lors de l'utilisation de votre produit, des précautions de base devraient être prises, y compris les suivantes.

- Ne pas utiliser ce produit à des fins particulières (stockage de médicaments ou de matériaux d'essai ou pour du transport, etc.).
- Débrancher le cordon d'alimentation avant de nettoyer ou de réparer le réfrigérateur.
- Lorsque vous remplacez l'ampoule dans le réfrigérateur, débranchez le réfrigérateur ou éteignez l'appareil.
- Ne pas modifier ou étendre le cordon d'alimentation.
- Ne pas utiliser de séchoir pour sécher l'intérieur. Ne pas allumer une bougie pour enlever l'odeur à l'intérieur.
- Pour votre sécurité, cet appareil doit être correctement mis à la terre. Faites vérifier la prise murale et le circuit électrique par un électricien qualifié pour vous assurer que la prise est correctement mise à la terre.
- Ne pas utiliser une prise qui puisse être éteinte avec un interrupteur. Ne pas utiliser de rallonge. Il incombe à l'utilisateur de remplacer une prise murale standard à 2-broches avec une prise murale standard à 3 broches.
- Ne pas couper ou enlever la troisième broche (terre) du cordon d'alimentation, en aucune circonstance.
- Ne pas utiliser une prise d'adaptateur et brancher le cordon d'alimentation à une rallonge multi-prise.
- Débrancher le cordon d'alimentation immédiatement si vous entendez un bruit, sentez une odeur étrange ou détectez de la fumée.
- Couper l'alimentation si de l'eau ou de la poussière pénètre dans le réfrigérateur. Appeler un agent de service.
- Ne pas démonter ou modifier le réfrigérateur.
- Ne pas mettre les mains, les pieds ou des objets métalliques en-dessous ou derrière le réfrigérateur.
- Ne pas faire fonctionner le réfrigérateur ni toucher le cordon d'alimentation avec les mains mouillées.
- Dans les réfrigérateurs des machines à glaçons automatiques, éviter tout contact avec les pièces mobiles du mécanisme d'éjection ou avec l'élément chauffant qui libère les glaçons. Ne pas placer les doigts ou les mains sur le mécanisme automatique de fabrication de glace tandis que le réfrigérateur est branché.
- Pendant la distribution de glace par le distributeur, ne pas utiliser de la céramique de cristal.
- Ne pas toucher les surfaces froides dans le compartiment du congélateur avec les mains mouillées ou humides, quand votre réfrigérateur est en marche.
- Ne pas mettre de récipients en verre, de bouteilles en verre ou de sodas dans le congélateur.
- Cet appareil n'est pas destiné à être utilisé par des personnes (enfants compris) avec des capacités physiques, sensorielles ou mentales limitées, ou un manque d'expérience et de connaissances, à moins qu'elles n'aient été encadrées ou aient reçu des instructions concernant l'utilisation de l'appareil par une personne responsable de leur sécurité.
- Ne pas recongeler un aliment congelé qui ait complètement dégelé. Cela pourrait entraîner un grave problème de santé.
- Si vous vous débarrassez de votre vieux réfrigérateur, assurez-vous que le liquide de refroidissement CFC soit retiré pour une élimination appropriée par un réparateur qualifié. Si vous versez du réfrigérant CFC, vous pouvez être condamné à une amende ou à l'emprisonnement en conformité avec la législation pertinente sur l'environnement.
- Les réfrigérateurs jetés ou abandonnés sont dangereux, même s'ils sont déposés pour seulement quelques jours. Lors de l'élimination du réfrigérateur, retirer les matériaux d'emballage de la porte ou décoller les portes, mais laisser les étagères en place afin que les enfants ne puissent pas y pénétrer facilement.

LIRE TOUTES LES INSTRUCTIONS AVANT D'UTILISER L'APPAREIL.

Pour réduire le risque d'incendie, d'électrocution ou de blessures lors de l'utilisation de votre produit, des précautions de base devraient être prises, y compris les suivantes.

ATTENTION

Installation

- Le réfrigérateur doit être installé conformément aux instructions d'installation qui ont été collées à l'avant du réfrigérateur.
- Soyez prudent lorsque vous déballez et installez le réfrigérateur. Disposer immédiatement le matériel d'emballage (plastique) hors de portée des enfants.

Utilisation

- Fermer soigneusement la porte lorsque les enfants sont à proximité.
- Éloignez vos doigts des zones de coincement; les espaces entre les portes et les armoires sont inévitablement réduits. Soyez prudent en fermant les portes lorsque des enfants se trouvent dans la zone.
- Si vous stockez les aliments correctement, soyez conscients qu'ils pourraient tomber et provoquer des blessures.

Entretien

- Ne pas utiliser de détergents puissants comme de la cire ou des diluants de nettoyage. Nettoyer avec un tissu doux.
- Essuyer les objets étrangers (poussière, eau, etc.) hors des broches de la fiche d'alimentation et des zones de contact régulièrement.

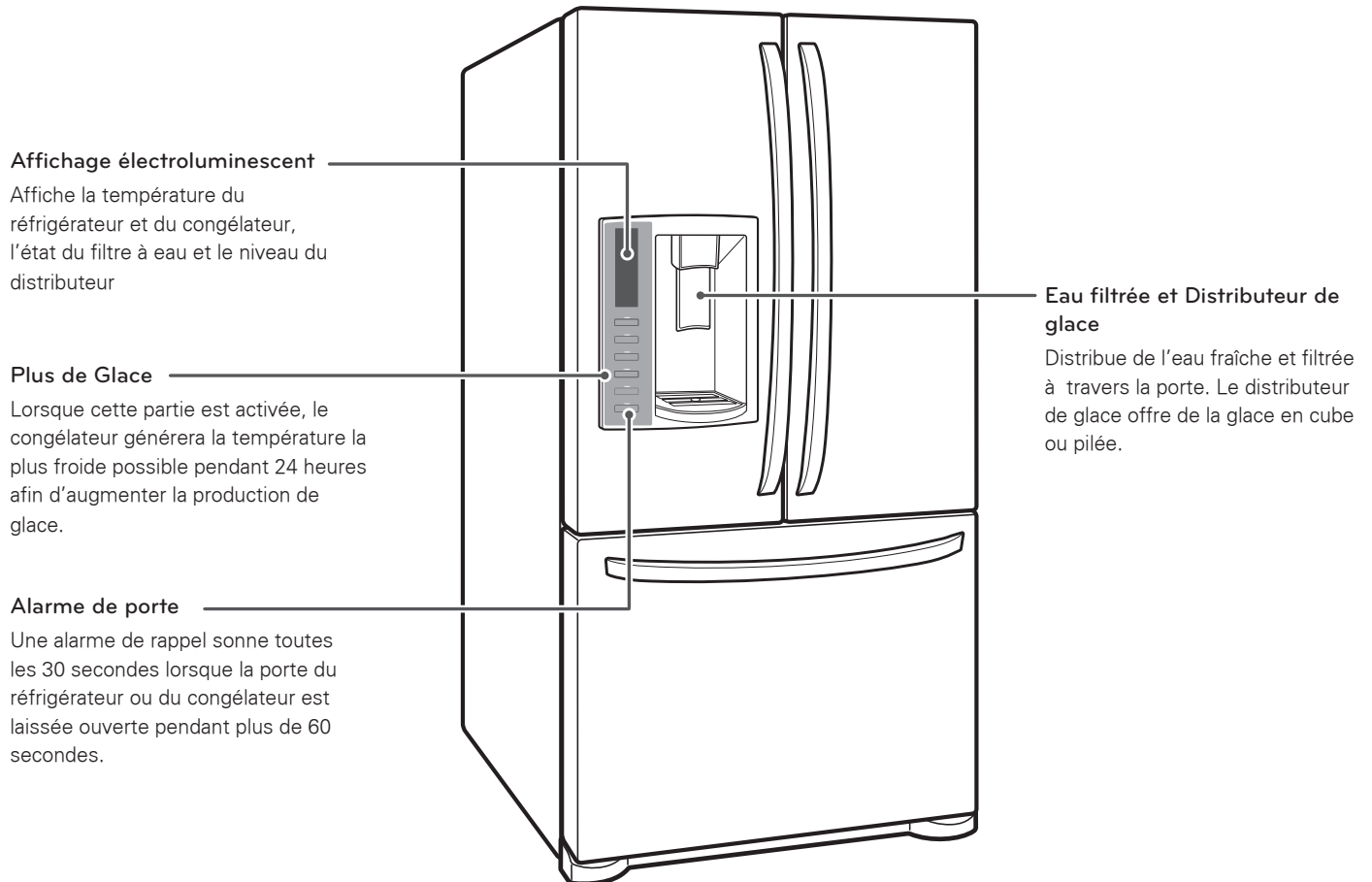
CONSERVEZ CES INSTRUCTIONS

COMPOSANTS

Utilisez cette page pour vous familiariser davantage avec les parties et les caractéristiques de votre réfrigérateur. Les références des pages sont incluses pour votre commodité.

* L'apparence et les spécifications du produit réel peuvent différer selon le modèle.

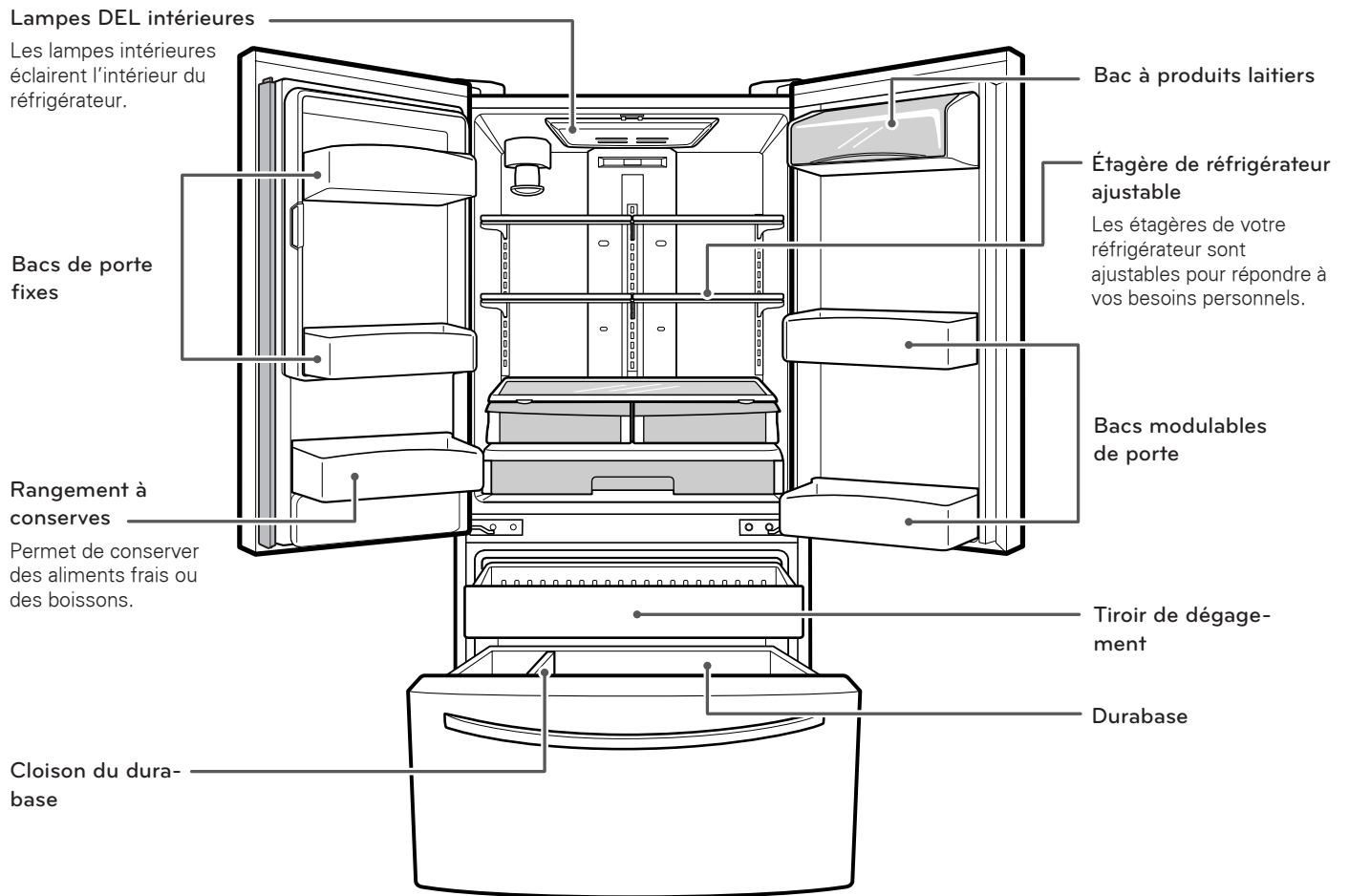
Extérieur du réfrigérateur



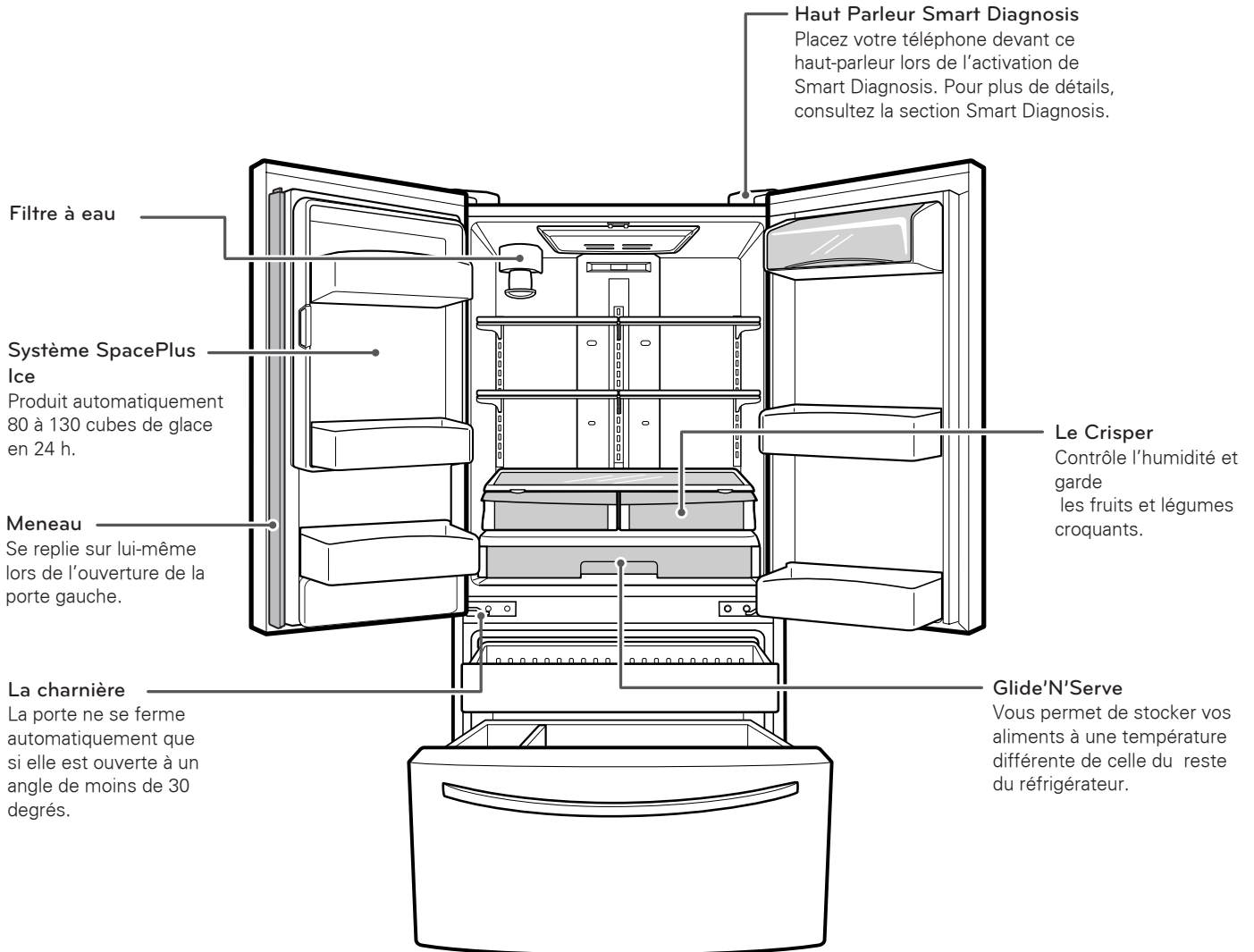
Intérieur du réfrigérateur

Parties principales et composants

FRANÇAIS



Fonctions spéciales



INSTALLATION

Caractéristiques

Veillez d'abord lire les instructions d'installation après l'achat de ce produit ou son transport vers un autre emplacement.

Bottom-freezer refrigerator model LFX25974	
Description	Réfrigérateur à porte française
Besoins électriques	115 VAC @ 60 Hz
Pression d'eau Min./Max.	20-125 PSI (1.4 – 8.4 kgf/cm ²)
Dimensions	35 3/4" (W) X 34 1/4" (D) X 69 3/4" (H), 46 1/2" (D avec porte ouverte) 908 mm (W) X 869.95 mm (D) X 1771.65 (H), 1181.1 mm (D avec porte ouverte)
Poids net	309 lb. (140kg)
Capacité de stockage du réfrigérateur	17.56 pieds cube
Capacité de stockage du congélateur	7.14 pieds cube

Déballage de votre réfrigérateur

! AVERTISSEMENT

- Utiliser deux ou plusieurs personnes pour déplacer et installer le réfrigérateur. Ne pas le faire pourrait provoquer un démembrement, une électrocution, ou une blessure mortelle.
- Votre réfrigérateur est lourd. Lors du déplacement du réfrigérateur pour le nettoyage ou le service, veiller à protéger le plancher. Toujours déplacer le réfrigérateur en position verticale. Ne pas remuer ou faire marcher le réfrigérateur lorsque vous essayez de le déplacer car le plancher pourrait être endommagé.
- Maintenir les produits inflammables et les vapeurs, tels que l'essence, loin du réfrigérateur. L'incapacité à le faire pourrait provoquer un démembrement, une électrocution, ou une blessure mortelle.

Enlever le ruban adhésif et toute étiquette temporaire de votre réfrigérateur avant de l'utiliser. Ne pas enlever les étiquettes d'avertissement, l'étiquette du numéro de modèle et de série, ou la fiche technique qui est située sous l'avant du réfrigérateur, derrière la grille de la base.

Pour supprimer toute bande adhésive ou colle restante, frotter la surface vivement avec le pouce. Les résidus de ruban adhésif ou de colle peuvent également être enlevés en frottant une petite quantité de savon à vaisselle liquide sur l'adhésif avec les doigts. Essuyez-les avec de l'eau chaude et séchez.

Ne pas utiliser d'instruments tranchants, d'alcool à friction, de liquides inflammables ou de nettoyants abrasifs pour enlever le ruban adhésif ou de la colle. Ces produits peuvent endommager la surface de votre réfrigérateur.

Les étagères des réfrigérateurs sont installées dans la position de transport. Veuillez réinstaller les étagères selon vos besoins individuels.

Choisir le bon emplacement

- Choisir un emplacement où l'alimentation en eau puisse être facilement connectée pour la machine à glaçons automatique.

! REMARQUE

La pression de l'eau doit être entre 20 et 125 psi sur les modèles sans filtre à eau et entre 40 et 125 psi sur les modèles avec filtre à eau.

- Le réfrigérateur devrait toujours être branché sur sa propre prise individuelle correctement mise à la terre, d'une valeur nominale de 115 Volts, 60 Hz, C.A. uniquement, et fusionnée à 15 ou 20 ampères. Cela offre les meilleures performances et évite de surcharger les circuits électriques qui pourraient provoquer un incendie par surchauffe des fils. Il est recommandé de prévoir un circuit distinct pour alimenter uniquement pour cet appareil.

! AVERTISSEMENT

Pour réduire le risque de choc électrique, ne pas installer le réfrigérateur dans un endroit mouillé ou humide.

Mise au sol

Pour éviter le bruit et les vibrations, l'appareil doit être mis à niveau et installé sur un plancher stable. Si nécessaire, ajuster les pieds de nivellement pour compenser les inégalités du sol. La face avant devrait être légèrement plus élevée que l'arrière pour faciliter la fermeture de la porte. Les pieds de nivellement peuvent être facilement tournés en inclinant légèrement le boîtier. Tourner les pieds de nivellement vers la droite pour soulever l'unité ou vers la gauche pour l'abaisser. (Voir Nivellement et alignement des portes.)

! REMARQUE

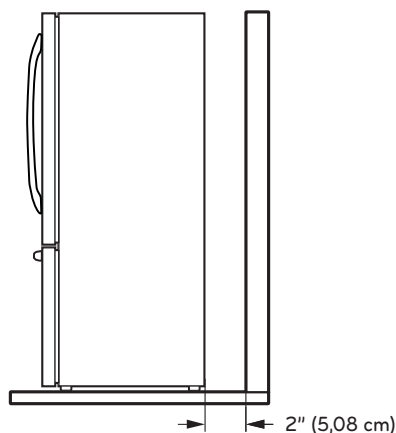
L'installation sur des tapis, des surfaces molles, une plate-forme ou une structure faiblement soutenue

Température ambiante

Installez cet appareil dans un endroit où la température est comprise entre 55°F (13°C) et 110°F (43°C). Si la température autour de l'appareil est trop basse ou trop élevée, la capacité de refroidissement peut être affectée.

Mesure des espaces

Une distance trop réduite des éléments adjacents peut réduire la capacité de congélation et augmenter les charges de consommation d'électricité. Laisser au moins 24 pouces (61cm) à l'avant du réfrigérateur pour ouvrir les portes et au moins 2 pouces (5,08 cm) entre l'arrière du réfrigérateur et le mur.



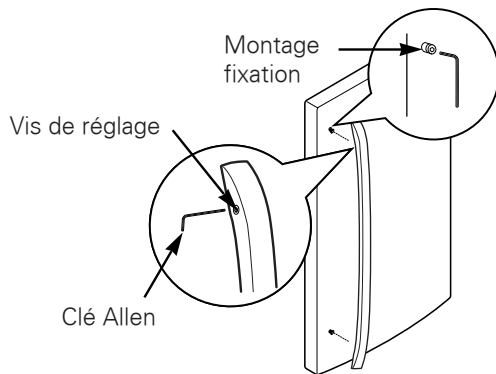
Enlèvement/Montage des poignées de porte du réfrigérateur

! REMARQUE

L'enlèvement des portes est toujours recommandé lorsqu'il est nécessaire de déplacer le réfrigérateur à travers une ouverture étroite. S'il est nécessaire d'enlever les poignées, suivez les instructions ci-dessous :

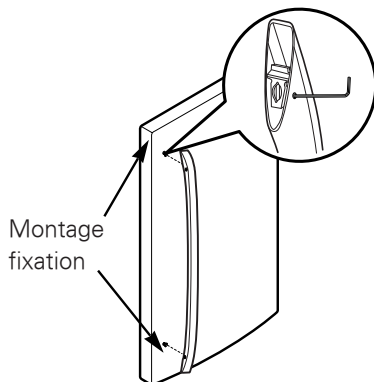
Enlèvement des poignées

- 1 Desserrer les vis avec une clef Allen de $\frac{3}{32}$ " et retirer la poignée.
- 2 Desserrer les fixations de montage qui sont reliées à la porte et aux poignées du réfrigérateur en utilisant une clef Allen de $\frac{1}{4}$ ", enlever les fixations de montage.



Montage des poignées

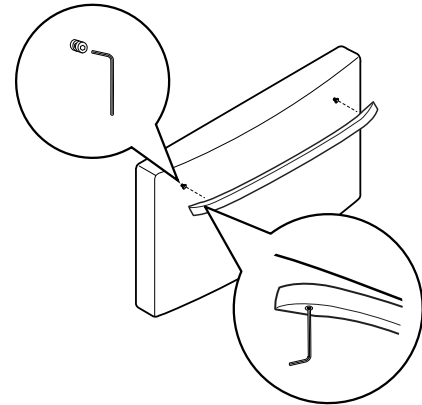
- 1 Assembler les fixations de montage aux deux extrémités de la poignée en utilisant une clef Allen de $\frac{1}{4}$ ".
- 2 Placer la poignée sur la porte en ajustant les empreintes de la poignée sur les fixations de montage et en serrant les vis de réglage avec une clef Allen de $\frac{3}{32}$ " .



Enlèvement/Montage de la poignée du tiroir du congélateur

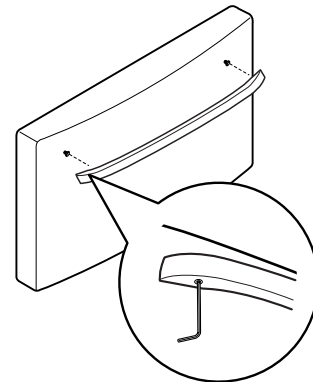
Enlèvement des poignées

- 1 Desserrer les vis de serrage situées sur le côté inférieur de la poignée avec une clef $\frac{1}{8}$ " et enlever la poignée.
- 2 Desserrer les fixations de montage qui se connectent au tiroir du congélateur et à la poignée en utilisant une clef Allen de $\frac{1}{4}$ " et enlever les fixations de montage.



Assemblage des poignées

- 1 Assembler les fixations de montage aux deux extrémités de la poignée en utilisant une clef Allen de $\frac{1}{4}$ " .
- 2 Placer la poignée sur la porte en ajustant les empreintes de la poignée sur les fixations de montage et en serrant les vis de réglage avec une clef Allen de $\frac{1}{8}$ " .



Enlèvement/Montage des portes

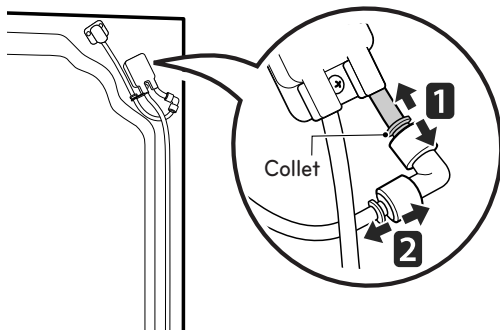
L'enlèvement des portes est toujours recommandé lorsqu'il est nécessaire de déplacer le réfrigérateur à travers une ouverture étroite.

! AVERTISSEMENT

- Si votre porte d'entrée est trop étroite pour permettre le passage du réfrigérateur, enlevez les portes du réfrigérateur et déplacez le réfrigérateur latéralement à travers les portes.
- Utiliser deux ou plusieurs personnes pour déplacer et installer les portes du réfrigérateur. Ne pas le faire pourrait provoquer un démembrement, une électrocution, ou une blessure mortelle.
- Débrancher le réfrigérateur avant l'installation. Ne pas le faire pourrait provoquer une blessure grave, ou mortelle.
- N'introduisez pas les mains, les pieds ou d'autres objets dans les bouches d'aération, la grille de base ou en-dessous du réfrigérateur. Vous pourriez vous blesser ou recevoir un choc électrique.
- Soyez prudent lorsque vous manipulez la charnière, grille de la base et le butoir. Vous pourriez vous blesser.
- Enlevez les aliments et les bacs des portes et des tiroirs avant de les détacher.

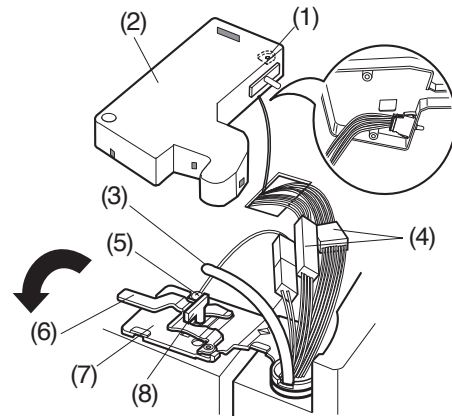
Retrait de la porte gauche du réfrigérateur

- 1 L'arrivée d'eau est connectée à la partie supérieure droite de l'arrière du réfrigérateur. Enlevez l'anneau au niveau du joint. Tenez l'arrivée d'eau et poussez doucement le collet afin de retirer la ligne d'arrivée d'eau comme indiqué en **1** et **2**.



! REMARQUE

Le détachement de la ligne d'alimentation en eau est applicable uniquement lors du détachement de la porte gauche du réfrigérateur.

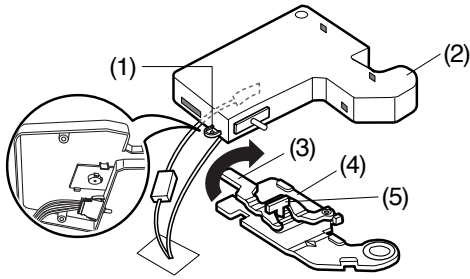


- 2 Ouvrez la porte de gauche. Enlevez la vis de la charnière supérieure (1). Soulevez la protection (2).
- 3 Enlevez la protection.
- 4 Tirez le tube (3).
- 5 Débranchez tous les fils (4).
- 6 Enlevez la vis de maintien (5).
- 7 Faites tourner le levier de la charnière (6) dans le sens contraire des aiguilles d'une montre. Séparez la charnière supérieure (7) du loquet attaché au levier (8).
- 8 Soulevez la porte en l'enlevant de la charnière du milieu et retirez la porte.
- 9 Posez la porte, côté intérieur vers le haut, contre une surface non abrasive.face.

! ATTENTION

En soulevant la charnière pour la dégager, veillez à ce que la porte ne tombe pas en avant.

Retrait de la porte droite du réfrigérateur



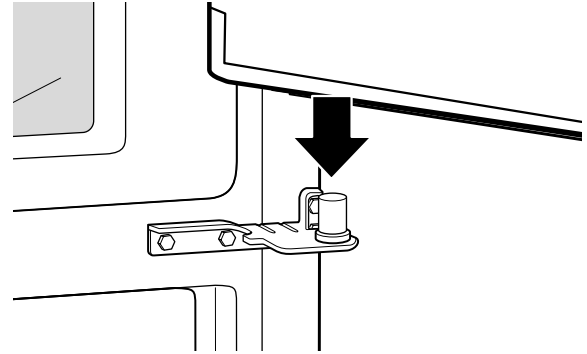
- 1 Ouvrez la porte. Enlevez la vis de la charnière supérieure (1). Soulevez la protection (2).
- 2 Enlevez la protection.
- 3 Faites tourner le levier de la charnière (3) dans le sens des aiguilles d'une montre. Séparez la charnière supérieure (4) du loquet attaché au levier (5).
- 4 Soulevez la porte en l'enlevant de la charnière du milieu et retirez la porte.
- 5 Posez la porte, côté intérieur vers le haut, contre une surface non abrasive.

! ATTENTION

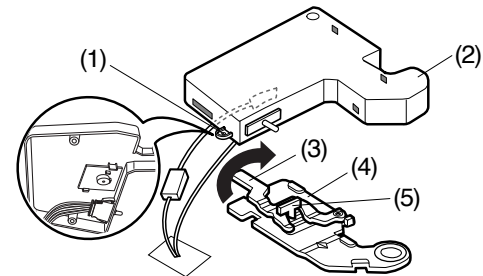
Placer la porte, avec l'intérieur vers le haut, sur une surface lisse.

Assemblage de la porte droite du réfrigérateur

Installez la porte droite en premier.



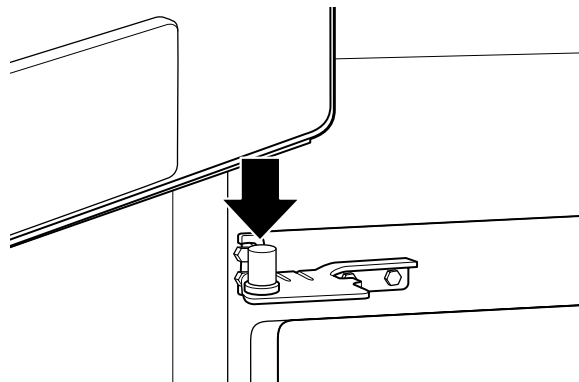
- 1 Placez la porte sur la charnière du milieu. Assurez-vous que la fiche en plastique est bien insérée dans la porte.



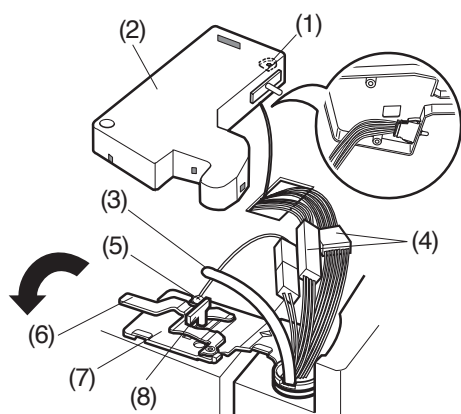
- 2 Placez la charnière supérieure (4) sur la manette du levier de la charnière (5) et insérez-la.
- 3 Faites tourner le levier dans le sens inverse des aiguilles d'une montre afin de resserrer la charnière.
- 4 Accrochez les languettes au côté droit de la charnière (2), sous les bords de la charnière supérieure (4) et remettez la protection en place.
- 5 Insérez et serrez la vis de protection (1).

Assemblage de la porte gauche du réfrigérateur

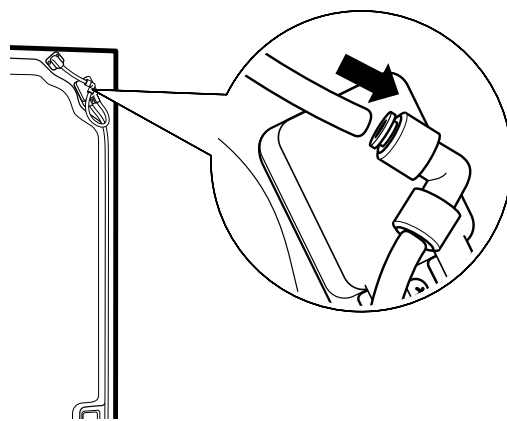
Installez la porte gauche du réfrigérateur une fois que la porte droite est installée.



- 1 Placez la porte sur la charnière du milieu.

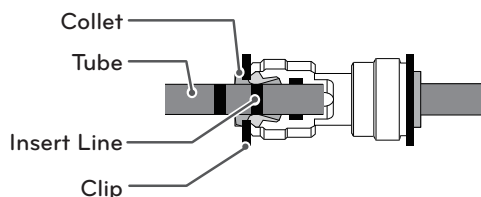


- 2 Placez la charnière supérieure (7) sur la manette du levier de la charnière (8) et insérez-la.
- 3 Faites tourner le levier (6) dans le sens des aiguilles d'une montre afin de resserrer la charnière.
- 4 Posez les vis de maintien (5) et branchez les deux fils (4).
- 5 Poussez le tuyau d'eau (3) situé en haut de la porte gauche jusqu'à l'insérer dans le trou situé devant la charnière gauche au-dessus du cabinet jusqu'à ce qu'il ressorte par l'arrière.
- 6 Insérez le tuyau d'eau (3) dans l'embout jusqu'à ne plus voir qu'une strie. Insérez entièrement la protection (15mm).
- 7 Accrochez les languettes au côté gauche de la charnière (1), sous les bords de la charnière supérieure (7) et remettez la protection en place.
- 8 Insérez et serrez la vis de protection (1).

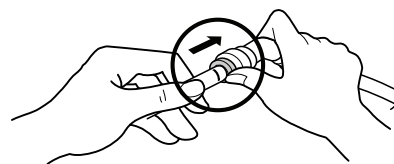


- 9 Insérez l'arrivée d'eau au moins aux 5/8èmes (15mm) dans l'embout.
- 10 Accrochez la languette à la protection, du côté sur lequel la porte pivote, sous le câble partant du haut du coffre.
- 11 Remettez la protection en place. Posez et serrez la vis de protection.

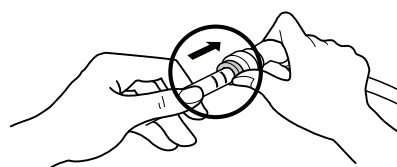
REMARQUE



- 1) Appuyer doucement sur le Collet et insérer le tube jusqu'à ce qu'une seule ligne apparaisse sur le tube.



(Correct)



(Incorrect)

- 2) Tirer sur le tube pour s'assurer que le tube soit bien serré, puis insérer le clip.

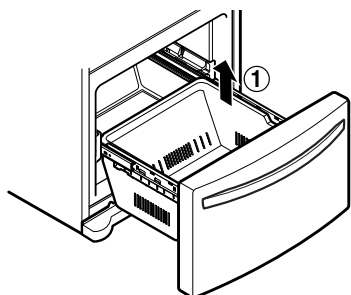
Enlèvement des tiroirs du congélateur

Les tiroirs supérieurs, inférieurs et centraux sont tous enlevés de la même façon. Dans les images suivantes, le tiroir amovible au-dessus du tiroir du congélateur n'est pas montré pour plus de clarté

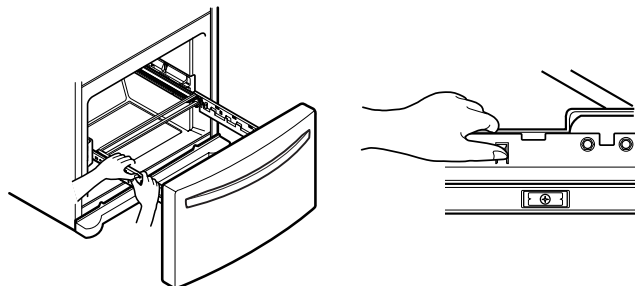
! ATTENTION

- Utiliser deux ou plusieurs personnes pour déplacer et installer le tiroir du congélateur. Ne pas le faire pourrait provoquer un démembrement, une électrocution, ou une blessure mortelle.
- Ne tenez pas la poignée lorsque vous enlevez ou remplacez le tiroir. Celle-ci pourrait se détacher et pourrait provoquer de graves blessures.
- Faites attention aux charnières pointues sur les deux côtés du tiroir.
- Lorsque vous posez le tiroir à terre, veillez à ne pas endommager le plancher.
- Ne pas s'asseoir ni se tenir debout sur le tiroir.
- Pour empêcher les accidents, maintenez les enfants et les animaux domestiques loin du tiroir. Ne laissez pas le tiroir ouvert.

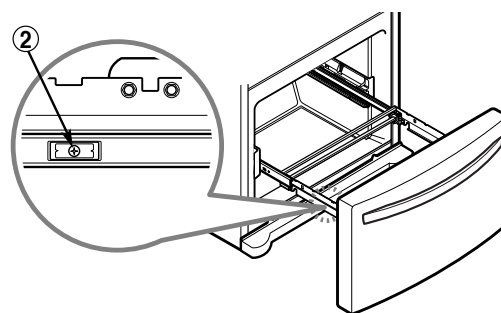
Tirez pour ouvrir le tiroir complètement. Déposez le panier inférieur en soulevant le panier du dispositif sur rails.



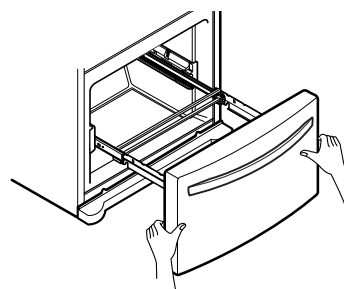
Appuyer sur les languettes des capots de rails et les soulever pour les séparer des rails.



Retirez les vis ② du rail des deux côtés.

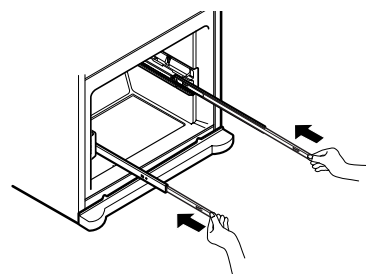


Avec les deux mains, attrapez les côtés de la porte, tirez-la vers le haut pour la détacher des rails.



! ATTENTION

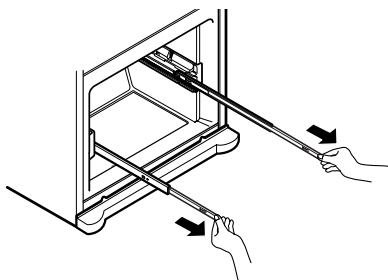
Ne tenez pas la poignée en retirant le tiroir. La poignée risque de céder, ce qui peut causer des blessures.



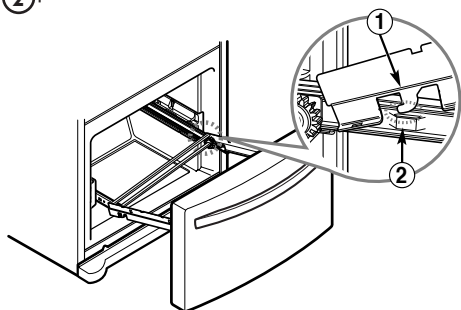
Avec un rail dans chaque main, poussez les rails simultanément pour les insérer.

Tiroir inférieur du congélateur

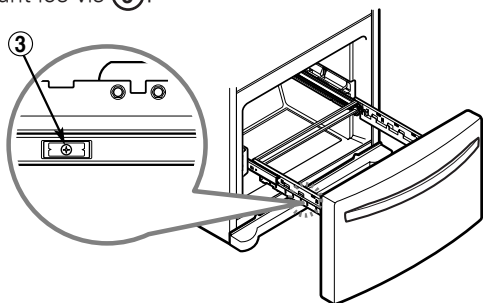
Avec un rail dans chaque main, tirez simultanément les rails jusqu'à ce qu'ils soient complètement étendus.



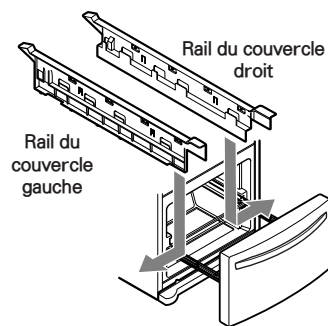
Montez le connecteur de la porte ① sur le bras du rail ②.



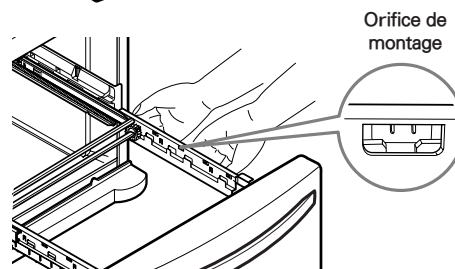
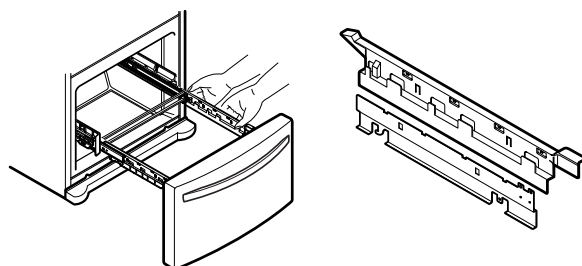
Poussez vers le bas et fixez le connecteur de la porte en serrant les vis ③.



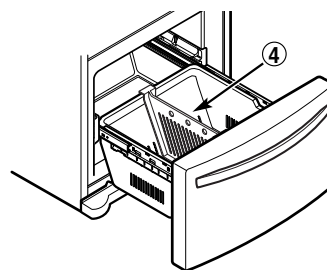
Vérifiez que vous disposez bien des capots de rail appropriés de chaque côté.



Alignez les languettes des capots sur les trous d'assemblage de chaque rail et d'un coup sec mettez les capots de rail en place pour les fixer.



Avec le tiroir étendu à son extension totale, insérez le panier inférieur ④ dans le système de guidage jusqu'à ce qu'il ne se déplace pas en avant.



! AVERTISSEMENT

- Si la cloison de répartition Durabase est retirée, il y a alors suffisamment de place pour que des enfants ou des animaux domestiques puissent y pénétrer à l'intérieur. Afin de prévenir des risques de suffocation ou d'empêcher de coincer un animal domestique ou un enfant, NE PAS les laisser toucher ou s'approcher du tiroir.
- NE MONTEZ ni vous asseyez sur le tiroir du congélateur.

Connexion de la canalisation d'eau

Avant de commencer

Cette installation de canalisation d'eau n'est pas couverte par la garantie du réfrigérateur. Suivez attentivement ces instructions afin de minimiser le risque de dégâts d'eau coûteux.

Le martellement de l'eau (eau frappant dans les tuyaux) dans la tuyauterie de la maison peut causer des dommages aux pièces de votre réfrigérateur et peut provoquer des fuites ou des inondations. Contactez un plombier qualifié pour corriger le martellement de l'eau avant d'installer la ligne d'alimentation d'eau sur le réfrigérateur.

⚠ ATTENTION

Pour éviter les brûlures et les dommages au produit, ne relier la ligne d'eau du réfrigérateur qu'à une prise d'eau froide.

Si vous utilisez un réfrigérateur avant de connecter la ligne d'alimentation d'eau, veillez à ce que l'interrupteur de la machine à glace se trouve sur la position ARRÊT (O).

⚠ ATTENTION

Ne pas installer les tuyaux de la machine à glaçons dans les zones où la température descend en dessous de zéro.

Pression de l'eau

Approvisionnement d'eau froide La pression de l'eau doit être comprise entre 20 et 125 psi sur les modèles sans filtre à eau et entre 40 et 125 psi sur les modèles avec filtre à eau.

Si un système de filtration d'eau par osmose inverse est connecté à votre alimentation d'eau froide, cette installation de canalisation d'eau n'est pas couverte par la garantie du réfrigérateur. Suivez attentivement les instructions suivantes pour minimiser les risques de dégâts d'eau coûteux.

Si un système de filtration d'eau par osmose inverse est connecté à votre alimentation en eau froide, la pression d'eau dans le système d'osmose inverse doit être d'un minimum de 40 à 60 psi (2,8 kgf/cm² ~ 4,2 kgf/cm², moins de 2,0 ~ 3,0 sec. pour remplir une tasse d'une capacité de 7 oz).

⚠ ATTENTION

Porter des lunettes de protection lors de l'installation pour éviter les blessures.

Si la pression de l'eau du système d'osmose inverse est inférieure à 21 psi ou 1.5 kg/cm² (cela prend plus de 4.0 sec pour remplir une tasse d'une capacité de 7 oz) :

- Vérifiez pour voir si le filtre à sédiments dans le système d'osmose inverse est bloqué. Remplacez le filtre si nécessaire.

- Laisser le réservoir de stockage dans le système d'osmose inverse se remplir après une utilisation intense.
- Si le problème concernant la pression de l'osmose inverse persiste, appelez un plombier qualifié.
- Toutes les installations doivent être conformes aux exigences du code de plomberie local.

Ce dont vous aurez besoin

- **Tuyaux en cuivre**, 1/4 po. diamètre extérieur, pour relier le réfrigérateur à la prise d'eau. Veillez à ce que les deux extrémités des tuyaux soient coupées au carré.

- Pour déterminer de combien de tuyaux vous avez besoin : mesurez la distance de la vanne d'eau à l'arrière du réfrigérateur au tuyau d'alimentation d'eau. Ensuite, ajoutez 8 pieds (2.4 m). Assurez-vous que vous disposez de suffisamment de tuyaux supplémentaires (environ 8 pieds [2.4 m] enroulés en 3 tours d'environ 10 po. [25 cm] diamètre) pour permettre au réfrigérateur d'être retiré du mur après l'installation.

- **Perceuse électrique.**

- **Clef ajustable ou clef de 1/2"**

- **Tournevis à lame plate et pour vis cruciformes.**

- **Deux boulons de compression de diamètre extérieur 1/4 " et 2 ferrules (mancheons)** pour connecter le tube en cuivre à la vanne d'arrêt et à la vanne d'eau du réfrigérateur.

- Si votre canalisation en cuivre existante a un raccord évasé à l'extrémité, vous aurez besoin d'un adaptateur (disponible dans les magasins de fournitures de plomberie) pour connecter la ligne d'eau au réfrigérateur OU BIEN vous pouvez couper la coupe évasée avec un découpeur de tube et puis utiliser un raccord de compression.

- **Connecter la vanne d'arrêt à la ligne d'eau froide.** La vanne d'arrêt doit avoir une prise d'eau avec un diamètre intérieur minimal de 5/32 po. au point de connexion à la LIGNE D'EAU FROIDE. Les vannes d'arrêt à étrier sont comprises dans beaucoup de kits d'approvisionnement d'eau. Avant de l'acheter, assurez-vous qu'une vanne à étrier est conforme aux codes de plomberie locaux.

⚠ REMARQUE

Une vanne d'eau à étrier auto-perceuse ne devrait pas être utilisée.

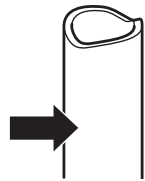
Instructions d'installation de la ligne d'eau

⚠️ AVERTISSEMENT

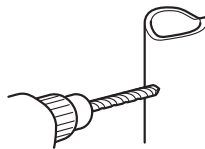
Lorsque vous utilisez un appareil électrique (comme une perceuse électrique) lors de l'installation, assurez-vous que le dispositif soit alimenté par batterie, ait une double isolation ou soit mis à la terre d'une manière qui permettra d'éviter le risque de choc électrique.

Installer la vanne d'arrêt sur la fréquence la plus proche en utilisant la ligne d'eau potable.

- 1 FERMER LA PRISE D'EAU PRINCIPALE**
Ouvrir le robinet le plus proche pour soulager la pression sur la ligne
- 2 CHOISIR L'EMPLACEMENT DE LA VANNE**
Choisir un emplacement pour la vanne qui soit facilement accessible. Il est préférable de la relier sur le côté d'un tuyau d'eau vertical. Lorsqu'il est nécessaire de la relier à un tuyau d'eau horizontal, réalisez la connexion sur le haut ou sur le côté, plutôt que sur le bas, pour éviter de recevoir des sédiments du tuyau d'eau.



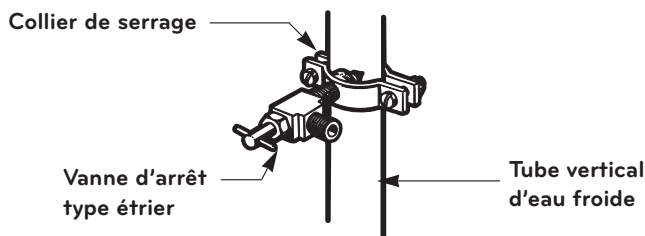
- 3 PERCER LE TROU POUR LA VANNE**
Percer un trou de 1/4 " dans le tuyau d'eau en utilisant une pièce pointue. Enlevez toutes les bavures résultant de forage du trou dans le tuyau. Faites attention à ne pas laisser l'eau drainer par le trou. Le défaut de percer un trou de 1/4 " peut entraîner une production de glace réduite ou des glaçons plus petits.



⚠️ REMARQUE

La ligne de raccordement ne peut pas être composée de tubes en plastique blancs. Les plombiers autorisés doivent utiliser uniquement des tubes en cuivre NDA # 49595 ou 49599 ou des tubes croisés en Polyéthylène (PEX).

- 4 RESSERRER LA VANNE D'ARRÊT**
Resserrer la vanne d'arrêt du tuyau d'eau froide avec le collier de serrage

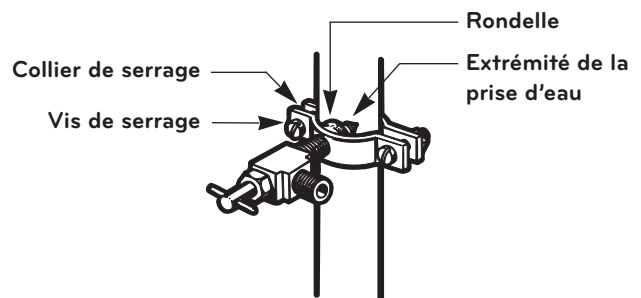


⚠️ REMARQUE

Les codes de plomberie de la Commonwealth of Massachusetts 248CMR doivent être respectés. Les vannes à étrier sont illégales et ne sont pas autorisées dans le Massachusetts. Consultez votre plombier agréé.

- 5 RESSERRER LA BRIDE DE SERRAGE**
Serrer les vis du jusqu'à ce que la rondelle de fermeture commence à enfler.

REMARQUE: Ne serrez pas la bride excessivement ou vous pourriez écraser le tuyau.



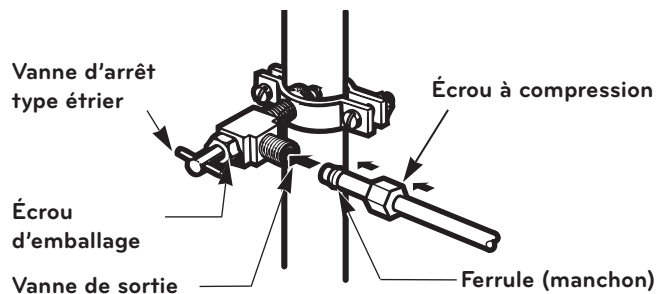
- 6 DIRIGER LES TUBES**
Faire passer le tuyau entre la ligne d'eau froide et le réfrigérateur.

Faire passer le tuyau par un trou percé dans le mur ou le plancher (derrière le réfrigérateur ou armoire de cuisine adjacente), aussi près que possible du mur.

⚠️ REMARQUE

Assurez-vous qu'il y ait assez de tuyaux supplémentaires (environ 8 pieds enroulés en 3 tours d'environ 10 cm de diamètre) pour permettre de décoller le réfrigérateur du mur après son installation.

- 7 RELIER LE TUBE À LA VANNE**
Placer un écrou de compression et une bague (manchon) pour le tube de cuivre à l'extrémité de la tuyau et le connecter à la vanne d'arrêt. Veiller à ce que le tuyau soit entièrement inséré dans la vanne. Serrer l'écrou à compression.



8 RINCER LES TUBES

Ouvrir la prise d'eau principale et rincer le tuyau jusqu'à ce que l'eau soit claire.

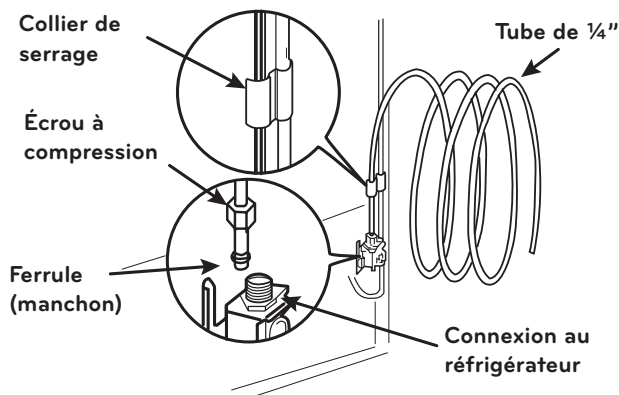
Fermer le robinet d'eau après qu'environ un quart de l'eau ait été rincée à travers le tuyau.



9 BRANCHER LE TUYAU AU RÉFRIGÉRATEUR

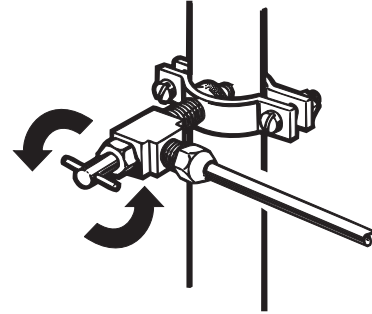
REMARQUE : Avant de faire la connexion au réfrigérateur, assurez-vous que le cordon d'alimentation électrique ne soit pas branché dans la prise murale.

- Enlever le capuchon flexible en plastique de la vanne d'eau.
- Placer l'écrou à compression et la bague (manchon) à l'extrémité du tuyau comme indiqué.
- Insérer l'extrémité du tuyau de cuivre dans la connexion aussi loin que possible. En tenant le tuyau, serrez la fixation.



10 FERMER L'EAU À LA VANNE D'ARRÊT

Serrer tous les raccords qui fuient.


 **ATTENTION**

Vérifier pour voir si des fuites se produisent sur les connexions de la ligne d'eau.

11 BRANCHER LE RÉFRIGÉRATEUR

Disposer la bobine de tuyaux de sorte qu'elle ne vibre pas contre l'arrière du réfrigérateur ou contre le mur. Poussez le réfrigérateur contre le mur.

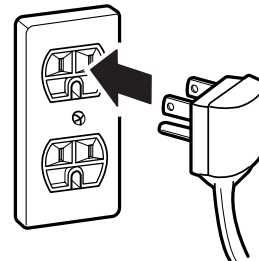
12 DÉMARRER LA MACHINE À GLAÇONS

Placer l'interrupteur de la machine à glaçons sur la position MARCHÉ.

La machine à glaçons ne commence à fonctionner que lorsqu'elle a atteint sa température de fonctionnement de 15 ° F (-9 ° C) ou une température inférieure. Elle commencera à fonctionner automatiquement si l'interrupteur de la machine à glaçons est sur la position MARCHÉ (I).

Mise en marche

- Brancher le réfrigérateur.


 **ATTENTION**

- Connectez-vous à une sortie de puissance nominale.
- Demandez à un électricien certifié de vérifier la prise murale et que le câblage soit correctement mis à la terre.
- Ne pas endommager ni couper la borne de terre de la prise de courant.

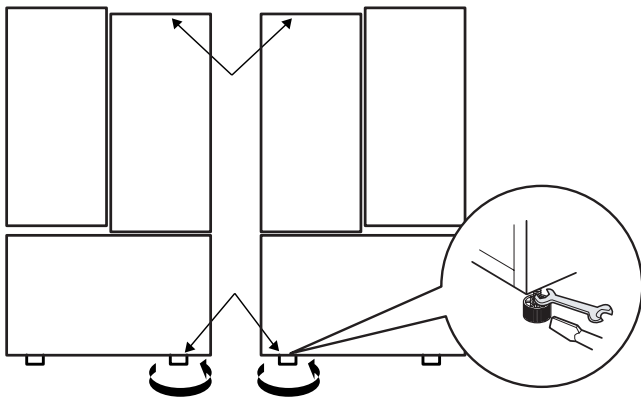
Nivellement et alignement des portes

Nivellement

Après l'installation, branchez le cordon d'alimentation du réfrigérateur dans une prise à 3 broches mise à la terre et poussez le réfrigérateur dans sa position finale.

Votre réfrigérateur a deux pieds de nivellement à l'avant— un sur la droite et un sur la gauche. Ajuster les pieds pour modifier l'inclinaison de l'avant vers l'arrière ou côte-à-côte. Si votre réfrigérateur semble instable, ou si vous voulez que les portes se ferment plus facilement, ajuster l'inclinaison du réfrigérateur en utilisant les instructions ci-dessous :

- 1 Enlever la grille de base. Consultez la section sur l'installation de la grille de base.
- 2 Tourner le pied de nivellement vers la gauche pour soulever ce côté du réfrigérateur ou vers la droite pour le baisser. Cela peut prendre plusieurs tours du pied de nivellement pour ajuster l'inclinaison du réfrigérateur.



! REMARQUE

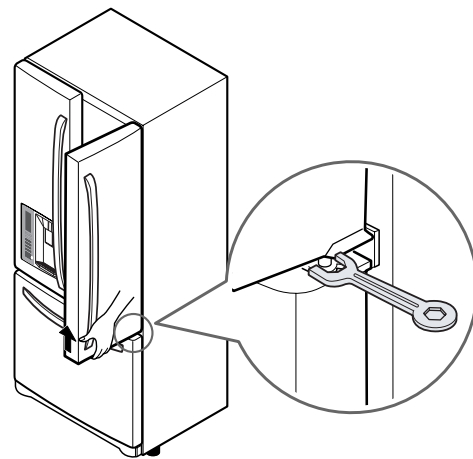
Une clé polygonale à têtes fendues fonctionne le mieux, mais une clé à fourche suffira. Ne serrez pas trop.

- 3 Ouvrir les deux portes à nouveau et vérifier pour s'assurer qu'elles ferment facilement. Si les portes ne se referment pas facilement, incliner le réfrigérateur un peu plus à l'arrière en tournant les deux pieds de nivellement vers la gauche. Cela peut prendre plusieurs tours supplémentaires, et vous devriez tourner les deux pieds de nivellement de la même façon.
- 4 Remplacer la grille de base.

Alignement de la porte

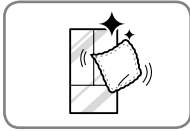
Les deux portes gauche et droite du réfrigérateur ont un écrou ajustable, situé sur la charnière inférieure, pour les soulever et abaisser pour les aligner correctement. Si l'espace entre les portes est inégale, suivre les instructions ci-dessous pour aligner les portes également:

Utiliser la clé (fournie avec le manuel du propriétaire) pour tourner l'écrou dans la charnière de porte afin de régler la hauteur. Vers la droite pour augmenter ou vers la gauche pour diminuer la hauteur.



MODE D'EMPLOI

Avant l'utilisation



Nettoyer le réfrigérateur

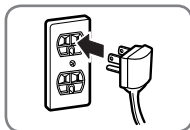
Nettoyez votre réfrigérateur à fond et enlevez toute la poussière qui s'est accumulée pendant le transport.

⚠ ATTENTION

- Ne pas gratter le réfrigérateur avec un objet pointu et ne pas utiliser un détergent qui contienne de l'alcool, du liquide inflammable ou une substance abrasive pour retirer le ruban adhésif ou la colle du réfrigérateur.
- Ne pas retirer le modèle ou le numéro de série ou les informations techniques sur la surface arrière du réfrigérateur.

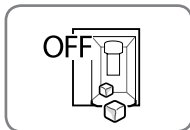
❗ REMARQUE

Enlever les résidus de colle en essuyant avec votre pouce ou du détergent à vaisselle.



Brancher l'alimentation

Vérifier que l'alimentation soit connectée avant l'utilisation. Lire la section "La mise sous tension".



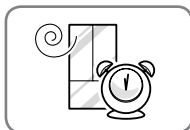
Éteindre la machine à glace si le réfrigérateur n'est pas encore connecté à la prise d'eau.

Éteindre la machine à glace automatique, puis branchez la prise de courant du réfrigérateur dans la prise mise à la masse.

* Ceci n'est applicable qu'à certains modèles.

⚠ ATTENTION

Allumer la machine à glaçons avant de le connecter à la prise d'eau peut provoquer une panne du réfrigérateur.

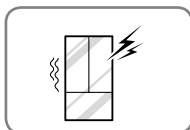


Attendre que le réfrigérateur refroidisse.

Laissez votre réfrigérateur en marche pendant au moins deux à trois heures avant d'y mettre des aliments. Vérifiez le flux d'air froid dans le compartiment congélateur pour assurer un refroidissement correct.

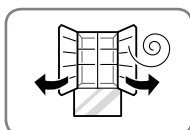
⚠ ATTENTION

Mettre des aliments dans le réfrigérateur avant qu'il ait refroidi pourrait entraîner la détérioration des aliments, ou une mauvaise odeur pourrait rester à l'intérieur du réfrigérateur.



Le réfrigérateur émet un bruit fort après la mise en marche initiale.

Ceci est normal. L'intensité diminuera à mesure que baissera température.

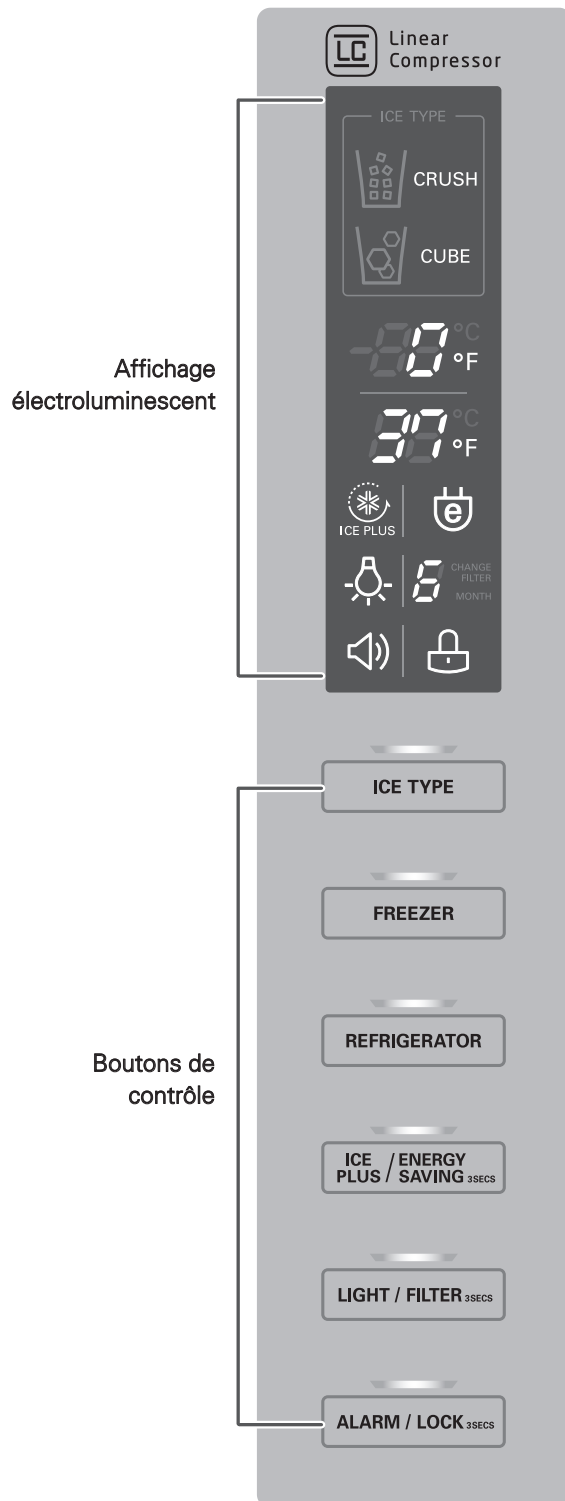


Ouvrir les portes du réfrigérateur et les tiroirs pour ventiler l'intérieur.

L'intérieur du réfrigérateur peut dégager une odeur de plastique au début. Enlever tout ruban adhésif de l'intérieur du réfrigérateur et ouvrir les portes du réfrigérateur et les tiroirs du congélateur pour la ventilation.

Panneau de contrôle

*Selon le modèle, certaines des fonctionnalités suivantes pourraient ne pas être disponibles.



Caractéristiques du panneau de contrôle

L'affichage électroluminescent comprend les réglages de température, les options de distribution, le filtre à eau, l'alarme de la porte et les notifications de la position de fermeture.

Ice Type

Appuyez sur ICE TYPE pour choisir entre pilée ou en cubes. L'option choisie s'illuminera sur l'affichage électroluminescent.

Freezer

Appuyez sur le bouton FREEZER pour régler la température du congélateur.

! REMARQUE

To change the display from Fahrenheit to Celsius, press and hold the FREEZER and REFRIGERATOR button for five seconds.

Refrigerator

Appuyez sur le bouton REFRIGERATOR pour régler la température du réfrigérateur.

Ice Plus

Cette fonction augmente la production de glace ainsi que les capacités de congélation.

- Lorsque vous pressez le bouton Ice Plus, l'icône s'illuminera pendant 24 heures. L'arrêt est automatique après 24 heures.
- Vous pouvez arrêter cette fonction manuellement en pressant de nouveau le bouton.

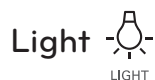
Économies d'énergie

La fonction Économies d'énergie désactive le meneau situé sur la porte du réfrigérateur afin d'économiser l'électricité. Maintenez le bouton Économies d'énergie enfoncé pendant trois secondes pour activer ou désactiver cette fonction.

! REMARQUE

Discontinue using the Energy Saving function if excessive moisture begins to collect on the door mullion.

Caractéristiques du panneau de contrôle (suite)



Appuyez sur LIGHT pour allumer la lumière du distributeur. L'icône apparaîtra sur l'affichage électroluminescent.



Lorsque le voyant du filtre à eau s'allume, vous devez changer celui-ci. Après l'avoir remplacé, pressez le bouton FILTER pendant trois secondes afin d'éteindre le voyant. Vous devez changer le filtre à eau environ tous les six mois.



- Lorsque le réfrigérateur est branché, l'alarme de porte est initialement en mode MARCHÉ. Lorsque vous appuyez sur le bouton ALARME, le voyant passera à ARRÊT et l'alarme sera désactivée.
- Si la porte du réfrigérateur ou celle du congélateur est laissée ouverte pendant plus de 60 secondes, l'alarme sonnera pour vous faire savoir que la porte est ouverte.
- L'alarme s'arrêtera lors de la fermeture de la porte.



La fonction de Verrouillage désactive tous les autres boutons de l'affichage.

- Lorsque du branchement du réfrigérateur, le Verrouillage est en mode ARRÊT.
- Si vous souhaitez activer la fonction Verrouillage afin de désactiver les autres boutons, appuyez sur le bouton Verrouillage pendant trois secondes ou plus. Le voyant Verrouillage s'affichera alors et la fonction Verrouillage sera alors activée.
- Pour désactiver la fonction Verrouillage, maintenez le bouton Verrouillage enfoncé pendant environ trois secondes.

ATTENTION

Mode Présentation (pour une utilisation en magasin uniquement)

Le mode Présentation désactive tout refroidissement dans les compartiments du réfrigérateur et du congélateur afin de conserver l'énergie lors de la présentation dans un magasin. Lorsque ce mode est activé, l'indication OFF est affichée sur le panneau de commande.

Pour la désactiver :

En laissant la porte du réfrigérateur ouverte, maintenez simultanément les boutons Refrigerator et Ice Plus enfoncés pendant cinq secondes. Le panneau de commande émet un signal sonore et les réglages de température s'affichent pour confirmer que le mode Présentation est désactivé. Utilisez la même procédure pour activer le mode Présentation.

Utilisation du bac à glaçons

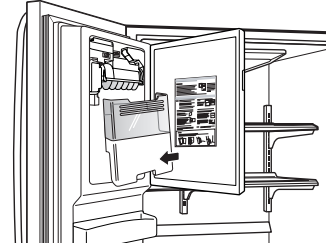
* Selon le modèle, certaines des fonctions suivantes pourraient ne pas être disponibles.

! ATTENTION

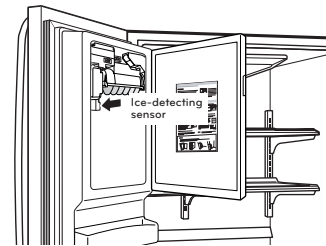
- Retirer les mains et les outils de la porte du compartiment de glace et goulotte de distribution. L'incapacité à le faire peut provoquer des dommages ou des blessures personnelles.
- La machine à glaçons cessera de produire de la glace lorsque le bac à glace intérieur sera plein. Si vous avez besoin de plus de glace, vider le bac à glace dans le bac à glace supplémentaire du compartiment congélateur. En cours d'utilisation, la glace peut devenir inégale, ce qui entraîne la machine à glaçons à mal interpréter la quantité de glaçons et à arrêter la production de glace. Secouer le bac à glaçons au niveau de la glace à l'intérieur pour réduire ce problème.
- Stocker des boîtes de conserve ou d'autres objets dans le bac à glace pourrait endommager la machine à glaçons.
- Garder la porte du compartiment à glace fermée. Si la porte du compartiment de glace n'est pas bien fermée, l'air froid dans le bac à glaçons congèlera les aliments dans le compartiment réfrigérateur. Cela pourrait également entraîner la machine à glaçons à arrêter la production de glace.
- Si l'interrupteur ON/OFF sur la machine à glaçons est sur OFF pendant une longue période de temps, le compartiment à glace se réchauffera progressivement jusqu'à la température du compartiment du réfrigérateur. Pour éviter que les glaçons fondent et coulent de distributeur, TOUJOURS vider le bac à glaçons lorsque la machine à glaçons est sur la position Arrêt pendant plus de quelques heures.

Montage du bac à glaçons

- 1 Insérer doucement le bac à glaçons à l'intérieur de la porte en l'inclinant légèrement pour éviter tout contact avec la machine à glaçons.



- 2 Éviter de toucher le capteur de détection de glace lors du remplacement du bac à glaçons. Voir l'étiquette sur la porte du compartiment à glaçons pour plus de détails.



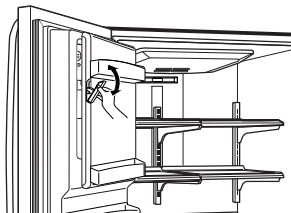
! ATTENTION

Lorsque vous manipulez le bac à glaçons, gardez vos mains loin de la zone du plateau de la machine à glaçons pour éviter de vous blesser.

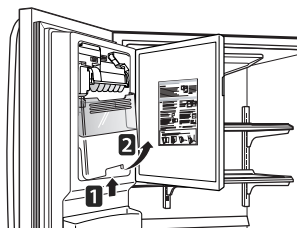


Détachement du bac à glaçons

- 1 Tirer doucement la poignée pour ouvrir le compartiment à glace.



- 2 Pour enlever le bac à glaçons à l'intérieur de la porte, saisir la poignée avant, soulever légèrement la partie inférieure, et retirer doucement le bac comme indiqué.

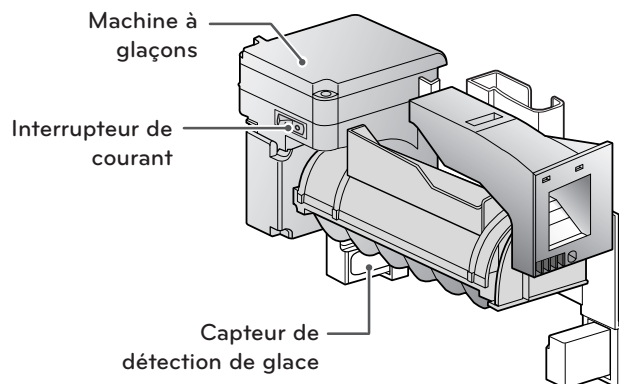


Machine à glaçons automatique

* Selon le modèle, certaines des fonctions suivantes pourraient ne pas être disponibles.

La glace est fabriquée dans la machine à glaçons automatique et envoyée au distributeur. La machine à glaçons produira 10 glaçons par cycle, soit environ 100 glaçons sur une période de 24 heures, en fonction de la température du congélateur, la température ambiante, le nombre d'ouvertures de portes et d'autres conditions de fonctionnement.

- Cela prend environ 12 à 24 heures pour un réfrigérateur nouvellement installé de commencer à produire de la glace. Attendez 72 heures pour que la production de glaçons commence.
- La production de glace s'arrête quand le bac à glaçons dans la porte est plein. Une fois plein, le bac à glaçons dans la porte détient environ 6 à 8 (12-16 oz) verres de glace.
- La pression de l'eau doit être comprise entre 20 et 120 psi sur les modèles sans filtre à eau et entre 40 et 120 psi sur les modèles avec filtre à eau pour produire la quantité et la taille normale de glaçons.
- Les substances étrangères ou le givre sur le capteur de détection de glace peuvent interrompre la production de glace. Assurez-vous que la surface du capteur est propre en tout temps pour un bon fonctionnement.



Mise en marche et arrêt de la machine à glaçons automatique

Pour éteindre la machine à glaçons automatique, mettre l'interrupteur de la machine à glaçons sur ARRÊT (O). Pour allumer la machine à glaçons automatique, mettre l'interrupteur de la machine à glaçons sur MARCHÉ (I).

Machine à glaçons automatique (suite)

ATTENTION

- La première glace et l'eau distribuées peuvent contenir des particules ou des odeurs provenant de la ligne d'approvisionnement en eau ou du réservoir d'eau.
- Jetez les premiers lots de glace (environ 24 glaçons). Cela est également nécessaire si le réfrigérateur n'a pas été utilisé pendant une longue période.
- Ne jamais stocker des cannettes de boissons ou d'autres objets dans le bac à glaçons dans le but de les refroidir rapidement. Cela pourrait endommager la machine à glaçons ou les récipients peuvent éclater.
- Si de la glace décolorée est distribuée, vérifier le filtre à eau et l'alimentation en eau. Si le problème persiste, contacter un centre commercial Sears ou un autre centre de service qualifié. Ne pas utiliser la glace ou l'eau jusqu'à ce que le problème soit résolu.
- Maintenir les enfants loin du distributeur. Les enfants peuvent jouer avec ou endommager les commandes du passage de glace.
- Le passage de glace peut être obstrué par le gel si uniquement de la glace pilée est utilisée. Enlever le givre qui s'accumule en retirant le bac à glaçons et dégageant le passage avec une spatule en caoutchouc. La distribution de glaçons peut aussi aider à prévenir l'accumulation de givre.
- Ne jamais utiliser de la verrerie ou de la vaisselle en cristal pour recueillir la glace. Ces récipients peuvent se casser ou éclater en projetant des fragments de verre dans la glace.
- Distribuer la glace dans un verre avant de le remplir avec de l'eau ou d'autres boissons. Des éclaboussures peuvent se produire si la glace est distribuée dans un verre qui contient déjà du liquide.
- Ne jamais utiliser un verre trop étroit ou profond. Un embâcle peut se produire dans le passage de la glace et le fonctionnement du réfrigérateur peut être affecté.
- Garder le verre à une distance appropriée de la prise de glace. Un verre trop proche de la prise peut empêcher la distribution de glace.
- Pour éviter les blessures, garder les mains loin de la porte et du passage de glace.
- Ne jamais retirer le couvercle du distributeur.
- Si de la glace ou de l'eau sont distribuées façon inattendue, couper l'alimentation en eau et contacter un centre de service qualifié.

Quand devez-vous mettre l'interrupteur de la machine à glaçons sur off (o)

- Lorsque l'alimentation en eau aura été coupée plusieurs heures.
- Lorsque le bac à glace est retiré pendant plus d'une ou deux minutes.
- Lorsque le réfrigérateur n'est pas utilisé pendant plusieurs jours.

REMARQUE

Le bac à glaçons doit être vidé lorsque l'interrupteur de la machine à glaçons est en position **OFF**.

Sons normaux que vous entendrez

- La vanne d'eau de la machine à glaçons vibrera tandis que la machine à glaçons se remplit d'eau. Si l'interrupteur est placé sur la position **MARCHE (I)**, il vibrera même s'il n'a pas été connecté à l'eau. Pour arrêter la vibration, placer l'interrupteur sur **ARRÊT (O)**.

REMARQUE

Laisser le bouton d'alimentation en position **ON (I)** avant que l'alimentation en eau ne soit connectée peut endommager la machine à glaçons.

- Vous entendrez le son de glaçons tombant dans le bac et l'eau qui coule dans les tuyaux tandis que la machine à glaçons se remplit à nouveau.

Préparation des vacances

Mettez l'interrupteur de la machine à glaçons sur **ARRÊT (O)** et fermer l'alimentation en eau du réfrigérateur.

REMARQUE

Le bac à glaçons doit être vidé lorsque l'interrupteur de la machine à glaçons est en position **OFF**.

Si la température ambiante baisse en-dessous de la congélation, demander à un technicien qualifié de drainer le système d'alimentation en eau pour empêcher des dommages importants dues à l'inondation causée par des lignes ou des connexions d'eau endommagées.

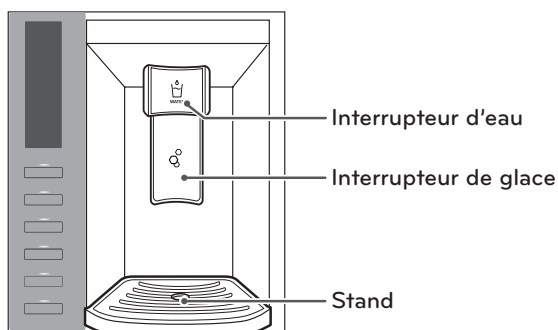
Distributeur de glace et d'eau

* Selon le modèle, certaines des fonctions suivantes pourraient ne pas être disponibles.

! ATTENTION

Maintenir les enfants loin du distributeur. Les enfants peuvent jouer avec ou endommager les commandes du passage de glace.

Structure du distributeur

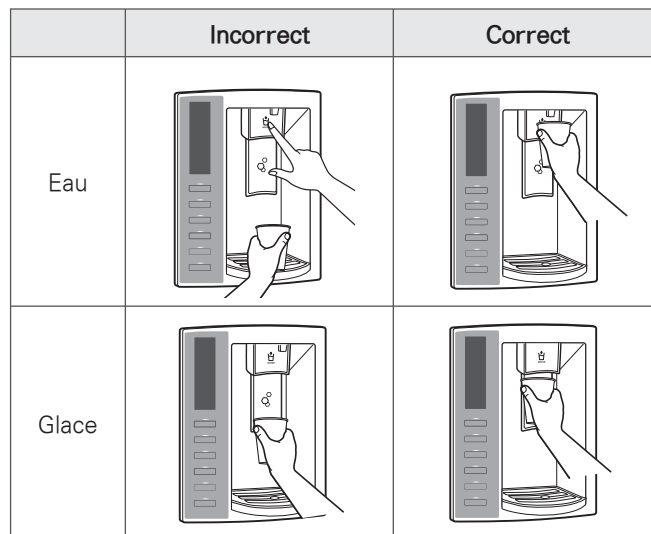


Utilisation du distributeur

- Pour distribuer de l'eau froide, appuyer sur l'interrupteur de l'eau avec un verre.
- Pour distribuer des glaçons, appuyer sur l'interrupteur de la glace avec un verre.

! REMARQUE

- Si de la glace décolorée est distribuée, vérifier le filtre à eau et l'alimentation en eau. Si le problème persiste, contacter un centre de service qualifié. Ne pas utiliser la glace ou l'eau jusqu'à ce que le problème soit résolu.
- Le distributeur ne fonctionne pas lorsque l'une des portes du réfrigérateur est ouverte.
- Si vous distribuez de l'eau ou de la glace dans un récipient avec une petite ouverture, placez-le aussi près du distributeur que possible.
- Quelques gouttes peuvent tomber après la distribution. Tenez votre tasse sous le distributeur pendant quelques secondes après la distribution pour recueillir toutes les gouttes.



! ATTENTION

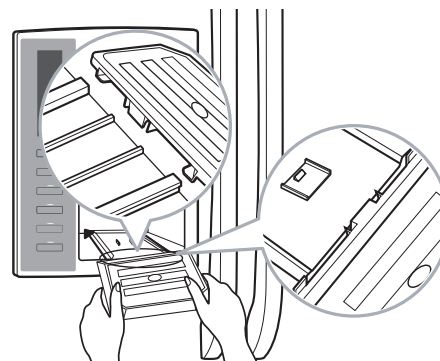
Jetez les premiers lots de glace (environ 24 glaçons). Cela est également nécessaire si le réfrigérateur n'a pas été utilisé pendant une longue période.

Verrouillage du distributeur

Appuyez et maintenez les boutons d'Alarme et de Verrouillage simultanément pendant 3 secondes pour verrouiller le distributeur et toutes les fonctions du panneau de commande. Suivre les mêmes instructions pour déverrouiller.

Nettoyage du stand du distributeur

- 1 Saisir le stand avec les deux mains et le retirer.



- 2 Nettoyer les zones sales avec un chiffon propre.

Stockage des aliments

Lieu de conservation des aliments

Chaque compartiment à l'intérieur du réfrigérateur est conçu pour stocker différents types de nourriture. Rangez vos aliments dans l'espace optimal pour profiter d'un goût plus frais.



Étagère de réfrigérateur réglable

Étagères ajustables pour satisfaire vos besoins de stockage individuels.



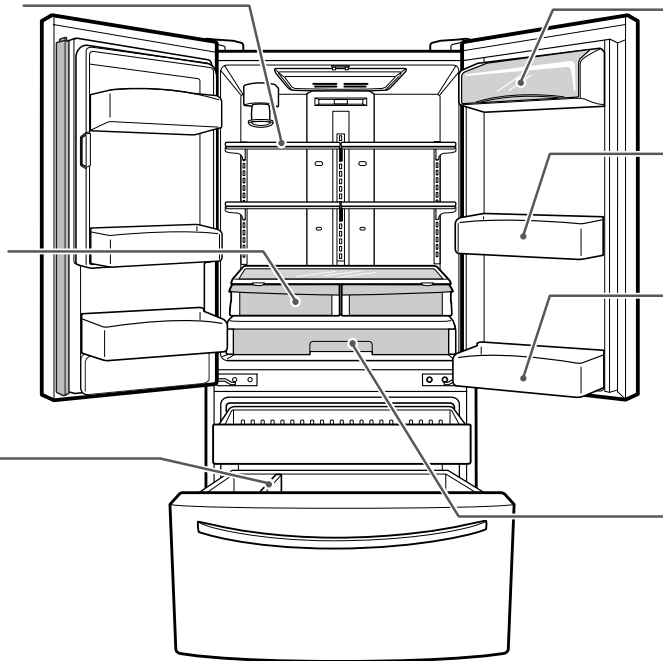
Stockage de légumes (Bac à fruits et légumes)

Conserve les légumes et les fruits.



Durabase®

Le plus grand espace de stockage dans le congélateur.



Bac à produits laitiers

Pour stocker des produits laitiers comme du beurre et du fromage.



Bac de porte modulaire

Stocker des boissons tels que des jus et du soda, ainsi que des assaisonnements, sauces pour salade et autres aliments.



Glisser et Servir

Permet de disposer d'une zone de stockage dont la température est plus basse que dans le reste du réfrigérateur. C'est un endroit pratique pour conserver des sandwiches ou de la viande à cuire.

⚠ ATTENTION

- Ne pas stocker d'aliments avec des contenus très humides vers la partie supérieure du réfrigérateur. L'humidité pourrait entrer directement en contact avec l'air froid et geler.
- Laver les aliments avant de les stocker dans le réfrigérateur. Les fruits et les légumes devraient être lavés, et l'emballage des aliments devrait être nettoyé pour empêcher de contaminer les aliments à proximité.
- Si le réfrigérateur est conservé dans un endroit chaud et humide, l'ouverture fréquente de la porte ou le fait de stocker beaucoup de légumes dans le réfrigérateur peut provoquer la formation de condensation. Essuyer la condensation avec un chiffon propre ou une serviette en papier.
- Si la porte du réfrigérateur ou le tiroir du congélateur sont ouverts ou fermés trop souvent, l'air chaud peut pénétrer dans le réfrigérateur et élever sa température. Cela peut aussi augmenter le coût de l'électricité.

⚠ REMARQUE

- Si vous quittez votre domicile pendant une courte période de temps, pour partir, par exemple, en vacances, le réfrigérateur devrait rester allumé. Les aliments qui peuvent être congelés se conserveront plus longtemps s'ils sont stockés dans le congélateur.
- Si vous laissez le réfrigérateur éteint pendant une longue période de temps, enlevez tous les aliments et débranchez le cordon d'alimentation. Nettoyez l'intérieur, et laissez la porte ouverte pour empêcher les moisissures de se développer dans le réfrigérateur.

Conseils pour le stockage des aliments

* Les conseils suivants pourraient ne pas être applicables, selon le modèle.

Envelopper ou conserver des aliments dans le réfrigérateur et le matériel étanche à l'humidité, sauf indication contraire. Cela empêche les odeurs de nourriture et le transfert de goût dans le réfrigérateur. Pour les produits datés, vérifier la date de péremption pour assurer la fraîcheur.

Aliment	Comment stocker
Beurre ou margarine	Conservez le beurre ouvert dans un plat couvert ou un compartiment fermé. Lorsque vous stockez un approvisionnement supplémentaire, enveloppez-le dans un emballage pour congélateur et le congeler.
Fromage	Stockez dans l'emballage d'origine jusqu'au moment d'utilisation. Une fois le produit ouvert, réemballez hermétiquement dans un papier d'emballage plastifié ou du papier aluminium.
Lait	Essuyez les cartons de lait. Pour un meilleur stockage, placez le lait sur une étagère intérieure, non pas sur une étagère de porte.
Oeufs	Stockez dans le carton d'origine ou sur une étagère intérieure, non pas sur une étagère de porte.
Fruits	Ne pas laver ou écosser les fruits jusqu'à ce qu'ils soient prêts à être consommés. Trier et conserver les fruits dans leur récipient d'origine, dans un bac à fruits et légumes, ou les stocker dans un sac en papier bien fermé sur une étagère du réfrigérateur.
Légumes à feuilles	Retirer l'emballage de stockage et couper ou éliminer les sections endommagées et décolorées. Laver dans de l'eau froide et drainer. Placer dans un sac ou un récipient en plastique et stocker dans un bac à légumes.
Légumes à peaux (carottes, poivrons)	Placer dans des sacs ou un récipient en plastique et stocker dans le bac à fruits et légumes.
Poissons	Stockez le poisson frais et les crustacés dans la section congélateur s'ils ne sont pas consommés le même jour de l'achat. Il est recommandé de consommer le poisson frais et les crustacés le même jour de l'achat.
Restes	Couvrez les restes avec une pellicule plastifiée, du papier aluminium ou des récipients en plastique avec des couvercles hermétiques.

Stockage d'aliments congelés

! REMARQUE

Consulter un manuel sur les congélateurs ou un livre de recettes fiable pour plus de renseignements sur la préparation d'aliments pour leur congélation ou les périodes de stockage des aliments.

Congélation

Votre congélateur ne congèlera pas rapidement une grande quantité de nourriture. Ne placez pas d'aliments non congelés dans le congélateur que vont geler dans les 24 heures (pas plus de 2 à 3 livres d'aliments par pied cube d'espace de congélateur).

Les périodes de stockage varieront en fonction de la qualité et du type d'aliments, du type d'emballage ou de la pellicule utilisée (degré d'étanchéité et résistance à l'humidité) et de la température de stockage. Les cristaux de glace dans un emballage scellé sont normaux. Cela signifie simplement que l'humidité dans les aliments et l'air à l'intérieur de l'emballage se sont condensés, en créant des cristaux de glace.

! REMARQUE

Laisser refroidir les aliments chauds à température ambiante pendant 30 minutes, puis, emballer et congeler. Refroidir les aliments chauds avant de les congeler économise de l'énergie.

Emballage

Une congélation réussie dépend d'un emballage correct. Lorsque vous fermez et scellez l'emballage, celui-ci ne doit pas permettre l'entrée ou la sortie d'air ou d'humidité. Si cela se produit, vous pourriez avoir des odeurs d'aliments et du transfert de goût à travers le réfrigérateur et pourriez aussi sécher des aliments secs.

Recommandations d'emballage :

- Récipients en plastique rigides avec couvercles ajustés
- Bocaux de conserve/congélation à bords droits
- Feuille d'aluminium épaisse
- Papier plastifié
- Pellicules plastifiées non perméables
- Sacs en plastique plastifiés de qualité pour congélateur, auto-étanches

Suivez les instructions de l'emballage ou du récipient pour les méthodes de congélation correctes.

Ne pas utiliser

- Papier d'emballage pour pain
- Récipients en plastique sans polyéthylène
- Récipients sans couvercles ajustés
- Papier paraffiné ou papier d'emballage pour congélateur recouvert de cire
- Papier d'emballage fin, semi-perméable

Bac à fruits et légumes à humidité contrôlée et Glisser et servir

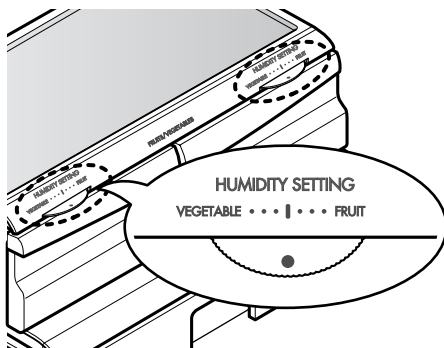
Bac à fruits et légumes à humidité contrôlée

* Selon le modèle, certaines des fonctions suivantes pourraient ne pas être disponibles.

Les bacs à légumes permettent de conserver un goût plus frais des fruits et légumes en vous permettant de facilement contrôler l'humidité à l'intérieur du tiroir.

Vous pouvez contrôler le niveau d'humidité dans les bacs étanches à humidité en réglant la commande sur n'importe quel réglage entre HIGH et LOW.

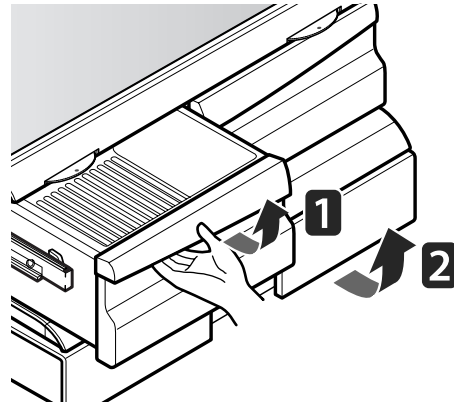
- **HIGH** garde l'air humide dans le bac pour une meilleure conservation des légumes à feuilles frais.
- **LOW** évacue l'air humide du bac à légumes pour une meilleure conservation des fruits.



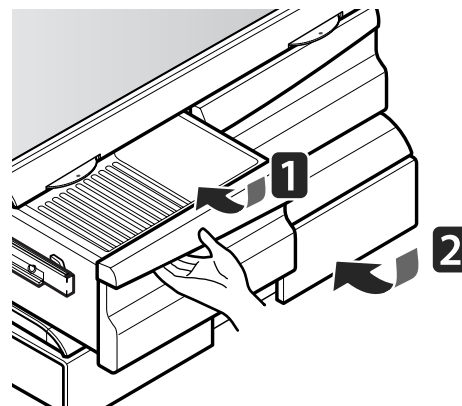
Détachement et montage des bacs de stockage

Glisser et Servir et bac à légumes avec contrôle d'humidité

Pour enlever le bac à légumes à contrôle d'humidité et le Glisser et servir, tirez le bac à fruits et légumes **1** et le Glisser et servir **2** jusqu'à leur pleine extension, soulevez l'avant et les retirez directement.



Pour installer, inclinez légèrement le devant, insérez le tiroir dans le cadre et le remettez-le en place en le poussant.



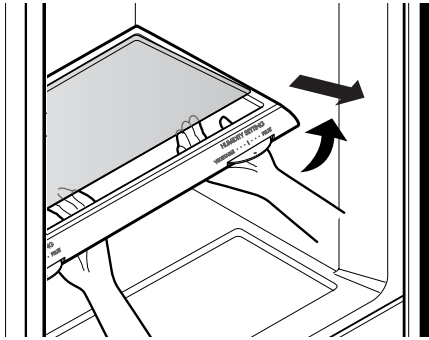
! REMARQUE

L'apparence des bacs de rangement peut varier selon le modèle.

Pour enlever le verre

(Tiroir non montré pour plus de clarté.)

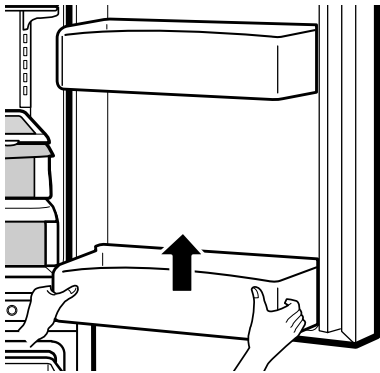
Soulevez le verre sous le couvercle du bac à légumes, le soulever vers le haut et le retirer.



Bacs de porte

Les bacs de porte sont amovibles pour faciliter le nettoyage et l'ajustement.

- 1 Pour retirer le bac, il suffit de soulever le bac et le retirer directement.
- 2 Pour remplacer le bac, faites-le glisser au-dessus du support souhaité et poussez-le jusqu'à ce qu'il s'enclenche en place.



REMARQUE

Certains bacs peuvent varier en apparence et ne rentreront que dans un seul endroit.

ATTENTION

- Ne pas appliquer de force excessive lors du détachement ou du montage des bacs de stockage
- Ne pas utiliser le lave-vaisselle pour nettoyer les bacs de stockage et les étagères.
- Régulièrement détacher et laver les bacs de rangement et les étagères, ils pourraient devenir facilement être contaminés par les aliments.

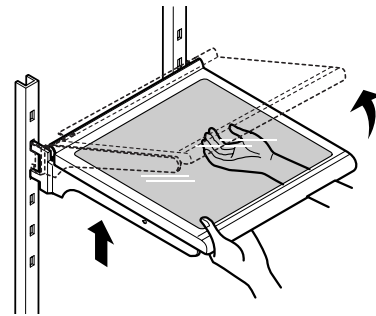
Réglage des étagères du réfrigérateur

Les étagères de votre réfrigérateur sont ajustables pour remplir vos besoins de stockage individuels. Votre modèle peut comporter des étagères en verre ou en fil.

Ajuster les étagères pour les imbriquer à différentes hauteurs d'objets vous permettra de trouver l'objet exact que vous cherchez plus facilement. Cela permettra également de réduire le temps d'ouverture de la porte du réfrigérateur, ce qui vous permettra d'économiser de l'énergie.

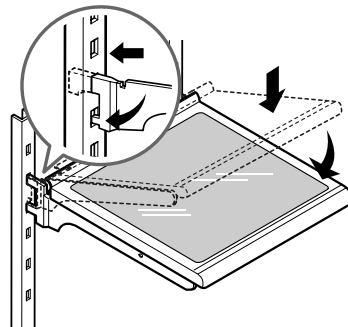
Détachement de l'étagère

Faites basculer le devant de l'étagère et soulevez-la. Retirez-la.



Montage de l'étagère

Faites basculer le devant de l'étagère et guidez les crochets de l'étagère dans les fentes à la hauteur désirée. Ensuite, abaissez l'avant de l'étagère de telle sorte que les crochets tombent dans les fentes.



ATTENTION

Assurez-vous que les étagères soient équilibrées d'un côté à l'autre. L'incapacité à le faire peut provoquer la chute de l'étagère ou des aliments.

ENTRETIEN

Nettoyage

- Les sections de réfrigérateur et de congélateur dégivrent automatiquement, mais, nettoyez les deux sections une fois par mois pour éviter les odeurs.
- Essuyez immédiatement les déversements.
- Toujours débrancher la réfrigération avant de le nettoyer.

Conseils généraux de nettoyage

- Débrancher le réfrigérateur ou couper le courant.
- Enlever toutes les pièces amovibles, telles que les étagères, bacs, etc.
- Utiliser une éponge propre ou un chiffon et un détergent doux avec de l'eau chaude. Ne pas utiliser de produits de nettoyage abrasifs ou forts.
- Se laver et se rincer les mains et sécher complètement toutes les surfaces externes.

Extérieur

Appliquer de la cire sur les surfaces métalliques peintes aide à fournir une protection anti-rouille. Ne pas cirer les pièces en plastique. Cirer les surfaces métalliques peintes au moins deux fois par an avec de la cire pour appareils électroménagers (ou cire autocollante). Appliquer la cire avec un chiffon propre et doux.

Pour les produits avec un extérieur en acier inoxydable, utiliser une éponge propre ou un chiffon et un détergent doux dans de l'eau chaude. Ne pas utiliser des produits de nettoyage abrasifs ou forts. Bien essuyer avec un chiffon doux.

⚠ ATTENTION

- Ne pas utiliser de chiffons ou d'éponges rugueuses en nettoyant l'intérieur et l'extérieur du réfrigérateur.
- Ne placez pas votre main sur la surface intérieure du réfrigérateur lors de l'ouverture et la fermeture.

⚠ AVERTISSEMENT

Utiliser un produit de nettoyage non inflammable. Ne pas le faire pourrait provoquer un incendie, une explosion ou la mort.

Parois intérieures (laisser le congélateur se réchauffer pour que le chiffon ne colle pas)

Pour éliminer les odeurs, vous pouvez laver l'intérieur du réfrigérateur avec un mélange de bicarbonate de soude et d'eau chaude. Mélangez 2 cuillères à soupe de bicarbonate de soude à 1 litre d'eau (26 g de soude pour 1 litre d'eau.) Assurez-vous que le bicarbonate de soude est complètement dissous afin de ne pas rayer les surfaces du réfrigérateur.

Doublures et joints de porte

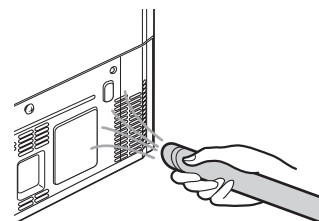
Utiliser une éponge propre ou un chiffon et un détergent doux avec de l'eau chaude. Ne pas utiliser des cires de nettoyage, de détergents concentrés, d'eaux de Javel ou de nettoyeurs contenant du pétrole sur les pièces en plastique du réfrigérateur.

Pièces en plastique (couvercles et panneaux)

Utiliser une éponge propre ou un chiffon et un détergent doux avec de l'eau chaude. Ne pas utiliser d'aérosols pour fenêtres, de nettoyeurs abrasifs ou de liquides inflammables. Ces produits peuvent rayer ou endommager le matériel.

Serpentins du condenseur

Utiliser un aspirateur avec un accessoire pour nettoyer le couvercle du condenseur et ses événements. Ne pas retirer le panneau qui recouvre la zone du condenseur.



Remplacement du filtre à eau

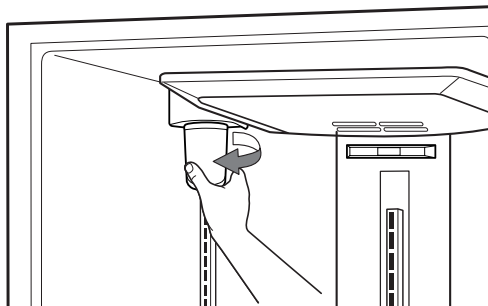
Nous recommandons de remplacer le filtre lorsque l'indicateur de filtre à eau s'allume ou en cas de diminution sensible de la production du distributeur d'eau ou de la machine à glaçons.

REMARQUE

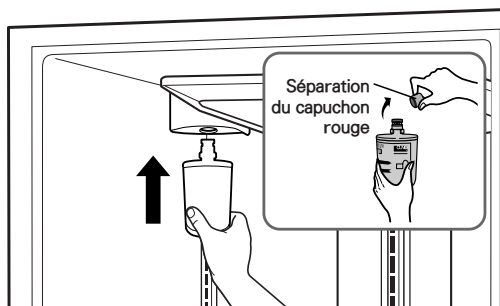
- Bouchon de dérivation du filtre
Conservez le bouchon de dérivation du filtre. Vous devez l'utiliser si un remplacement de cartouche de filtre n'est pas possible.
La machine à glaçons ne fonctionne pas si aucun filtre ou bouchon de dérivation du filtre n'est inséré dans le compartiment approprié.

- 1 Tournez lentement l'ancienne cartouche sur la gauche. Vous sentirez une détente lors du dégagement de la cartouche.

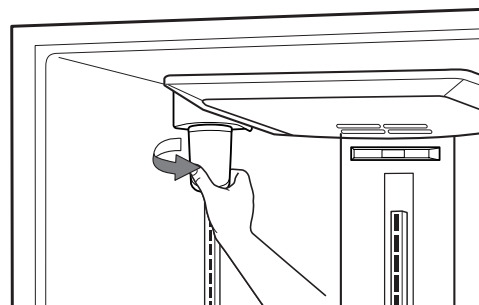
REMARQUE: Une petite quantité d'eau (environ 1 oz ou 25 cc) se drainera lors du remplacement du filtre.



- 2 Enlevez la cartouche usée. Sortez la cartouche neuve de son emballage et ôtez le capuchon rouge. Alignez les oreilles de la cartouche de sorte qu'elle puisse être insérée dans la tête du filtre.



- 3 Tournez la cartouche vers la droite d'un 1/4 de tour environ. Vous devez sentir une butée et le symbole verrouillé doit maintenant être aligné avec la ligne de l'indicateur.



Une fois le filtre remplacé, faites passer 11 litres à travers le filtre avant la première utilisation (jet d'eau continu pendant 5 minutes environ). Vérifier l'absence de fuite du filtre.



Après le changement de filtre, appuyez en maintenant enfoncée la touche FILTER (FILTRE) pendant 3 secondes pour éteindre le témoin.

ATTENTION

NE PAS faire fonctionner le réfrigérateur sans filtre à eau ou sans avoir installé la prise du filtre à eau.

REMARQUE

- Pour acheter une recharge du filtre à eau :
 - Visitez votre revendeur ou distributeur local
 - Web : Trouvez les pièces et accessoires dans la section de soutien de lg.com
 - Appeler le : 1-800-243-0000 (USA)
1-888-542-2623 (Canada)
- Numéro de pièce de la recharge du filtre à eau : 5231JA2002A

Fiche technique

Numéro de série 5231JA2002A-S

A utiliser avec une cartouche de remplacement 5231JA2002A

Ce dispositif a été testé conformément aux normes NSF/ANSI n°42 pour la réduction des substances listées ci-dessous. La concentration des substances indiquées dans l'eau d'arrivée (influent) a été diminuée d'une concentration inférieure ou égale à la limite autorisée pour de l'eau quittant le système comme indiquée dans la norme NSF/ANSI n°42.



Le système a été testé et certifié par NSF International pour la norme n°42 pour la réduction du goût et de l'odeur de chlore et les particules nominales de classe III.

Capacité : 1.892 L

Substance	Concentration d'influent moyen	Concentration d'influent. Unités appliquées à chaque ligne	Concentration de l'eau du produit moyen	% réduction en moyenne	Req. de % de réduction NSF ou concentration de l'eau du produit admissible max.
Taille de particule nominale de classe I : >0,5 à < 1 µm	24 333	Au moins 10 000 particules/ml	915	96	≥ 85%
Goût et odeur de chlore de classe III	1,9	2,0 mg/L ± 10%	0,07	96,4	≥ 50%

A noter : les tests ont été menés avec des conditions laboratoire standard, la performance réelle est susceptible de varier.

Lignes d'application/Paramètres d'alimentation en eau	
Flux de service	0,5 gpm (1,89 lpm)
Pression de l'eau	20 -125 psi (138 – 862 kPa)
Température de l'eau	36 °F - 100 °F (0,6 °C - 37,8 °C)

! AVERTISSEMENT

Ne pas utiliser de l'eau qui est insalubre au niveau microbiologique ou dont la qualité n'est pas connue sans désinfection adaptée avant ou après le dispositif.

Les systèmes doivent être installés et manipulés conformément aux procédures et instructions recommandées par le fabricant.

Garantie : voir la fiche de garantie pour de plus amples détails.

Pour obtenir une cartouche de remplacement ou un service, veuillez contacter le revendeur se trouvant près de chez vous.

Vous pouvez également visiter notre site web www.lg.com ou appeler le **1-877-714-7486**.

Fabriqué pour LG® Electronics par : CUNO Incorporated
3M Company 400 Research Parkway Meriden, CT 06450
U.S.A.

Téléphone : (001) 203-237-5541

Télécopie : (001) 203-238-8701

! ATTENTION

Pour éviter des dommages matériels suite à des fuites d'eau :

- **Lire et suivre les instructions.** Bien prendre connaissance des instructions avant l'installation et l'utilisation du système.
- Installer uniquement sur des lignes d'eau FROIDE.
- Doit être conforme à tous les codes de plomberie en vigueur.
- Installer un dispositif limitant la pression et un capteur d'eau pour les pressions d'eau de l'orifice d'entrée excédant 552kPa. Se reporter au code de plomberie, sections 608,2 et 609,10.
- Ne jamais installer ou mettre en service à des endroits où la pression de l'eau peut dépasser 862 kPa.
- Protéger le filtre du gel. Retirer le filtre à des températures inférieures à 0,6°C.
- Remplacer la cartouche pour des durées de service indiquées. La cartouche DOIT être remplacée au moins tous les 12 mois.

SMART DIAGNOSIS



Au cas où vous rencontreriez des problèmes avec votre réfrigérateur, celui-ci a la capacité de transmettre des données via votre téléphone au centre d'assistance LG. Cela vous permet de parler directement à l'un de nos spécialistes. Le spécialiste enregistrera les données transmises par votre appareil, les utilisera pour analyser le problème, et apportera un diagnostic rapide et efficace.

En cas de problème avec votre réfrigérateur, appelez le 1-800-243-0000. N'utilisez la technologie Smart Diagnosis que lorsque l'agent du centre d'assistance LG vous le demande. Les bruits de transmission que vous entendrez sont normaux et ressemblent à ceux d'un fax.

La technologie Smart Diagnosis ne peut être activée à moins que votre réfrigérateur ne soit sous tension. Si votre réfrigérateur ne peut pas s'allumer, alors la résolution de problème devra se faire sans Smart Diagnosis.

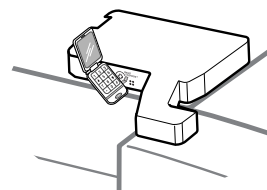
Utiliser Smart Diagnosis

Appelez tout d'abord le 1-800-243-0000. N'utilisez la technologie Smart Diagnosis que lorsque l'agent du centre d'assistance LG vous le demande.

- 1 Bloquez l'affichage. Pour bloquer l'affichage, appuyez sur le bouton Verrouillage pendant trois secondes. (Si l'affichage a déjà été bloqué pendant plus de cinq minutes, vous devez désactiver le Verrouillage pour ensuite le réactiver.)



- 2 Ouvrez la porte droite du réfrigérateur.
- 3 Approchez le microphone de votre téléphone devant le haut-parleur situé sur la charnière droite de la porte de votre réfrigérateur, lorsque le centre d'assistance vous le demande.



- 4 Maintenez le bouton Température du congélateur enfoncé pendant trois secondes tout en continuant à tenir votre téléphone devant le haut-parleur.



- 5 Après avoir entendu trois signaux sonores, relâchez le bouton de température du congélateur.
- 6 Maintenez le téléphone jusqu'à ce que le bruit de transmission disparaisse. Cela prendra environ 15 secondes, et un décompte du temps s'affichera sur l'écran d'affichage. Une fois le décompte terminé et le bruit disparu, reprenez votre conversation avec le spécialiste, qui sera alors en mesure de vous aider grâce à l'information transmise pour l'analyse. the tones have stopped, resume your conversation with the specialist, who will then be able to assist you in using the information transmitted for analysis.

REMARQUE

- Pour améliorer les résultats, veuillez ne pas bouger le téléphone lorsque les bruits de transmission sont émis.
- Si le représentant du centre d'appel n'est pas capable d'obtenir un enregistrement précis des données, il vous sera demandé de réessayer.

DÉPANNAGE

Consulter la section Dépannage avant d'appeler le service, car cela vous permettra d'économiser du temps et de l'argent.

Problème	Causes possibles	Solutions
Les compartiments Réfrigérateur et Congélateur ne refroidissent pas	Le contrôle du réfrigérateur est réglé sur ARRÊT (sur certains modèles)	Réglez le contrôle sur MARCHÉ. Veuillez vous reporter à la section Réglage du Contrôle pour le paramétrage approprié des températures.
	Le réfrigérateur est réglé sur le mode Démo	Le mode Démo permet un fonctionnement normal de l'éclairage et de l'affichage du panneau de contrôle mais désactive le refroidissement pour économiser l'énergie durant l'exposition en magasin. Veuillez vous reporter à la section Réglage du Contrôle pour les instructions de désactivation du mode Démo.
	Le réfrigérateur est en cycle de Dégivrage	Durant le cycle de dégivrage, la température de chaque compartiment peut légèrement augmenter. Attendez 30 minutes et assurez-vous que la température est revenue à sa valeur correcte une fois le cycle de dégivrage complété.
	Le réfrigérateur a récemment été déplacé	Si le réfrigérateur a été débranché ou couché pendant une longue période, celui-ci doit être placé à la verticale pendant 24h avant d'être mis sous tension.
Le système de refroidissement est trop puissant	Le réfrigérateur remplace un ancien modèle	Les réfrigérateurs modernes nécessitent un temps de fonctionnement plus long mais consomment moins d'énergie grâce à une technologie plus efficace.
	Le réfrigérateur vient d'être branché ou remis sous tension	Le réfrigérateur mettra 24h à refroidir complètement
	La porte a souvent été ouverte ou beaucoup d'aliments / des aliments chauds y ont été placés	L'ajout d'aliments ou l'ouverture de la porte réchauffe le réfrigérateur, ce qui demande au compresseur de fonctionner plus longtemps pour refroidir les compartiments. Afin de conserver l'énergie, essayez de sortir tout ce dont vous avez besoin du réfrigérateur en une seule fois, rangez vos aliments de manière organisée afin de les localiser facilement, et fermez la porte dès que les aliments sont sortis. (Veuillez vous reporter à la section Guide de Stockage des Aliments)
	Les portes ne sont pas complètement fermées	Poussez les portes fermement. Si elles ne se ferment pas complètement, reportez vous à la section Les portes ne se ferment pas complètement ou s'ouvrent toutes seules de la partie Dépannage des Pièces & Fonctions.
	Le réfrigérateur est installé dans un environnement chaud	Le compresseur fonctionnera plus longtemps dans un environnement chaud. Lorsque la température ambiante est normale (70°F), votre compresseur doit fonctionner entre 40% et 80% du temps. Si la pièce est plus chaude, attendez-vous à ce qu'il tourne encore plus souvent. Le réfrigérateur ne doit pas être mis en fonction lorsque la température ambiante est supérieure à 110°F.
	Le condensateur / couvercle arrière est obstrué	Utilisez un aspirateur muni d'un embout pour nettoyer la protection du condensateur et la ventilation. Ne pas ôter le panneau recouvrant la bobine du condensateur.

Problème	Causes possibles	Solutions
Le compartiment Réfrigérateur ou Congélateur est trop chaud	Le réfrigérateur a été installé récemment	24h peuvent être nécessaires pour que chaque compartiment atteigne la température désirée
	Les bouches d'aération sont obstruées	Réorganisez les éléments afin de permettre la libre circulation de l'air à l'intérieur du compartiment. Veuillez vous reporter au diagramme de circulation de l'air dans la section Utilisation de votre Réfrigérateur.
	Les portes sont souvent ouvertes ou restent ouvertes pendant longtemps.	Lorsque les portes sont souvent ouvertes ou restent ouvertes pendant longtemps, de l'air chaud et humide entre dans le compartiment. La température et le niveau d'humidité augmentent ainsi à l'intérieur du compartiment. Pour limiter cet effet, réduisez la fréquence et la durée d'ouverture des portes.
	L'appareil est installé dans un endroit chaud	Le réfrigérateur ne doit pas être mis en fonction si la température ambiante est supérieure à 110°F.
	Beaucoup d'aliments ou des aliments chauds ont été placés dans l'un des compartiments	L'ajout d'aliments augmente la température du compartiment, ce qui entraîne le déclenchement du système de refroidissement. Pour limiter cet effet, laissez les aliments chauds refroidir à température ambiante avant de les placer dans le réfrigérateur.
	Les portes ne sont pas correctement fermées	Veuillez vous reporter à la section Les portes ne se ferment pas correctement ou s'ouvrent toutes seules de la partie Dépannage des Pièces & Fonctions
	Le contrôle de la température n'est pas réglé correctement	Si la température est trop chaude, ajustez le contrôle une position à la fois et attendez que la température se stabilise. Veuillez vous reporter à la section Réglage du Contrôle pour plus d'informations
	Le cycle de dégivrage vient de se terminer	Durant le cycle de dégivrage, la température de chaque compartiment peut légèrement augmenter. Attendez 30 minutes et assurez-vous que la température est revenue à sa valeur correcte une fois le cycle de dégivrage complété.
De l'humidité se forme à l'intérieur	Les portes sont trop souvent ouvertes ou restent ouvertes trop longtemps	Lorsque les portes sont souvent ouvertes ou restent ouvertes pendant longtemps, de l'air chaud et humide entre dans le compartiment. La température et le niveau d'humidité augmentent ainsi à l'intérieur du compartiment. Pour limiter cet effet, réduisez la fréquence et la durée d'ouverture des portes.
	Les portes ne sont pas correctement fermées	Veuillez vous reporter à la section Les portes ne se ferment pas correctement de la partie Dépannage
	L'atmosphère est humide	Une atmosphère humide permet à plus d'humidité de pénétrer dans le compartiment lorsque la porte est ouverte, ce qui génère de la condensation et du givre. Vous pouvez contrôler l'humidité qui pénètre dans le réfrigérateur en maintenant un niveau d'humidité approprié à votre domicile
	Le cycle de dégivrage vient de se terminer	Durant le cycle de dégivrage, la température de chaque compartiment peut légèrement augmenter. Attendez 30 minutes et assurez-vous que la température est revenue à sa valeur correcte une fois le cycle de dégivrage complété.
	Les aliments ne sont pas correctement emballés	Les aliments stockés sans couvercle ni emballage et les contenants humides peuvent conduire à une accumulation d'humidité dans les compartiments. Essuyez bien tous les compartiments et rangez les aliments dans des emballages hermétiques pour prévenir la condensation et le givre

Problème	Causes possibles	Solutions
Les aliments congèlent dans le compartiment réfrigérateur	Des aliments avec une teneur en eau importante ont été placés à proximité des bouches d'aération	Réorganisez les aliments avec une teneur en eau importante loin des bouches d'aération
	Le contrôle de la température du réfrigérateur est mal réglé	Si la température est trop froide, ajustez le contrôle une position à la fois et attendez que la température se stabilise. Veuillez vous reporter à la section Réglage du Contrôle pour plus d'informations
	Le réfrigérateur est installé dans un endroit froid	Lorsque le réfrigérateur est mis en fonction sous une température ambiante inférieure à 41°F (5°C), les aliments peuvent geler dans le compartiment réfrigérateur. Le réfrigérateur ne doit pas être mis en fonction sous une température ambiante inférieure à 55°F (13°C).
Du givre ou des cristaux de glace se forment sur les aliments surgelés (à l'extérieur de l'emballage)	La porte est souvent ouverte ou reste ouverte pendant longtemps	Lorsque les portes sont souvent ouvertes ou restent ouvertes pendant longtemps, de l'air chaud et humide entre dans le compartiment. La température et le niveau d'humidité augmentent ainsi à l'intérieur du compartiment. Pour limiter cet effet, réduisez la fréquence et la durée d'ouverture des portes.
	La porte ne se ferme pas correctement	Veuillez vous reporter à la section Les portes ne se ferment pas correctement de la partie Dépannage
Le compartiment Réfrigérateur ou Congélateur est trop chaud	Mauvais réglage du contrôle de la température	Si la température est trop froide, ajustez le contrôle une position à la fois et attendez que la température se stabilise. Veuillez vous reporter à la section Réglage du Contrôle pour plus d'informations
Du givre ou des cristaux de glace se forment sur les aliments surgelés (à l'intérieur de l'emballage hermétique)	La condensation issue d'aliments à haute teneur en eau a gelé à l'intérieur de l'emballage alimentaire.	Ce phénomène est normal pour des aliments à haute teneur en eau.
	Des aliments ont été laissés dans le congélateur pendant une longue période	Ne stockez pas des aliments à haute teneur en eau dans le congélateur pendant une longue période
Le distributeur de glace ne produit pas suffisamment de glace	La demande dépasse la capacité de production de glace	Le distributeur de glace peut produire approximativement 100 glaçons par période de 24 heures
	L'arrivée d'eau du domicile n'est pas connectée, le robinet n'est pas complètement ouvert ou la valve est bouchée	Connectez le réfrigérateur à une alimentation d'eau froide avec une pression adéquate et ouvrez le robinet d'eau complètement. Si le problème persiste, il sera peut-être nécessaire de contacter un plombier.
	Le filtre à eau est épuisé	Il est recommandé de remplacer le filtre à eau: <ul style="list-style-type: none"> • Tous les six mois environ • Lorsque le voyant du filtre à eau s'allume • Lorsque la sortie de la distribution d'eau diminue • Lorsque les cubes de glace sont plus petits que la normale
	La pression de l'arrivée d'eau du domicile est trop faible	La pression de l'eau doit être entre 20 et 125 psi pour les modèles sans filtre et entre 40 et 125 psi pour les modèles avec filtre. Si le problème persiste, il sera peut-être nécessaire de contacter un plombier
	Le système de filtrage par osmose inversée est en cours de fonctionnement	Les systèmes de filtrage par osmose inversée peuvent réduire la pression de l'eau en dessous de sa valeur minimale et occasionner un dysfonctionnement du distributeur de glace. (Veuillez vous reporter à la section pression de l'eau).
	Le tuyau reliant le réfrigérateur au robinet d'approvisionnement est plié	Le tuyau peut se plier lorsque le réfrigérateur est déplacé lors de l'installation ou du nettoyage, provoquant une réduction du débit d'eau. Redressez ou réparez la ligne d'arrivée d'eau et disposez-la afin d'éviter un nouveau pliage

Problème	Causes possibles	Solutions
Le distributeur de glace ne produit pas suffisamment de glace (suite)	Les portes sont trop souvent ouvertes ou restent ouvertes trop longtemps	Lorsque les portes de l'appareil sont souvent ouvertes, l'air ambiant va réchauffer le réfrigérateur et empêcher le maintien de la température programmée de l'appareil. La diminution de la température programmée peut résoudre ce problème, tout comme la réduction du nombre d'ouvertures des portes
	Les portes ne se ferment pas complètement	Si les portes ne sont pas correctement fermées, la production de glace en sera affectée. Veuillez vous reporter à la section Les portes ne se ferment pas correctement ou s'ouvrent toutes seules de la partie Dépannage des Pièces & Fonctions pour plus d'informations.
	Le réglage de la température du congélateur est trop chaud.	La température recommandée du le compartiment congélateur pour la production normale de glace est de 0°F. Si la température du congélateur est plus chaude, la production de glace en sera affectée.
L'eau est servie trop lentement	Le filtre à eau est épuisé	Il est recommandé de remplacer le filtre à eau : <ul style="list-style-type: none"> • Tous les six mois environ • Lorsque le voyant du filtre à eau s'allume • Lorsque la sortie de la distribution d'eau diminue • Lorsque les cubes de glace sont plus petits que la normale
	Le système de filtrage par osmose inversée est en cours de fonctionnement	Les systèmes de filtrage par osmose inversée peuvent réduire la pression de l'eau en dessous de sa valeur minimale et occasionner un dysfonctionnement du distributeur de glace. Si le problème persiste, il sera peut-être nécessaire de contacter un plombier.
	La pression de l'arrivée d'eau du domicile est trop faible	La pression de l'eau doit être entre 20 et 125 psi pour les modèles sans filtre et entre 40 et 125 psi pour les modèles avec filtre. Si le problème persiste, il sera peut-être nécessaire de contacter un plombier
La distribution de glace ne se fait pas	Les portes ne sont pas fermées correctement	La distribution de glace ne se fait pas si les portes du réfrigérateur sont ouvertes
	Utilisation peu fréquente du distributeur	L'utilisation peu fréquente du distributeur de glace conduit les glaçons à se coller avec le temps, ce qui empêche leur distribution. Veuillez vérifier que des glaçons ne sont pas bloqués/collés dans le bac. S'ils le sont, cassez les glaçons pour permettre le fonctionnement correct du distributeur.
	La glissière de distribution est obstruée par le givre ou des morceaux de glace	Enlevez le bac et nettoyez la glissière avec un ustensile en plastique pour supprimer le givre ou les morceaux de glace. La distribution de glace en cubes peut également aider à prévenir la formation de givre ou de morceaux de glace.
	L'affichage du distributeur est verrouillé	Maintenez le bouton Verrouillage enfoncé pendant trois secondes pour déverrouiller le panneau de contrôle et le distributeur.
	Le bac à glace est vide	24 heures peuvent être nécessaires pour que chaque compartiment atteigne la température désirée et que le distributeur de glace se mette à fonctionner. Assurez-vous que le contrôle (levier / capteur) n'est pas obstrué. Une fois que la réserve de glace dans le bac est complètement épuisée, la fabrication de glace supplémentaire peut prendre jusqu'à 90 minutes, et environ 24h pour le remplissage complet du bac

Problème	Causes possibles	Solutions
Le distributeur de glace ne produit pas de glace	Le réfrigérateur vient d'être installé ou le distributeur de glace vient d'être branché	24 heures peuvent être nécessaires pour que chaque compartiment atteigne la température désirée et que le distributeur de glace se mette à fonctionner.
	Le distributeur de glace n'est pas mis en marche	Localisez l'interrupteur MARCHE/ARRÊT du distributeur de glace et vérifiez qu'il est sur la position MARCHE (I).
	Le détecteur de glace est obstrué	La présence de corps étrangers ou de givre sur le capteur de détection de glace peuvent interrompre la production de glace. Assurez-vous que la zone du capteur est toujours propre pour garantir le bon fonctionnement de l'appareil.
	Le contrôle (levier ou capteur) du distributeur de glace est obstrué	Si votre distributeur est équipé d'un levier de contrôle de la glace, assurez-vous que celui-ci pivote normalement. Si votre distributeur de glace est équipé d'un capteur de contrôle de la production de glace, assurez-vous que l'espace entre les deux capteurs est dégagé.
	Le système de filtrage par osmose inversée est connecté à votre arrivée d'eau froide.	Les systèmes de filtrage par osmose inversée peuvent réduire la pression de l'eau en dessous de sa valeur minimale et occasionner un dysfonctionnement du distributeur de glace. (Veuillez vous reporter à la section pression de l'eau).
La distribution d'eau ne se fait pas	Le réfrigérateur vient d'être installé ou la ligne d'arrivée d'eau vient d'être connectée	Servez 2,5 gallons d'eau (laissez couler pendant environ 5 minutes) pour évacuer l'air emprisonné et les éléments contaminants du système. Ne servez pas les 2,5 gallons en une seule fois. Actionnez le bloc de distribution pendant 30 secondes puis relâchez-le pendant 60 secondes, par cycles
	Le panneau de distribution est verrouillé	Maintenez le bouton Verrouillage enfoncé pendant trois secondes pour déverrouiller le panneau et le distributeur
	Le distributeur n'est pas réglé pour la distribution d'eau	Le distributeur peut être réglé pour la distribution de glace ou d'eau. Assurez-vous que le panneau de contrôle est réglé correctement. Appuyez sur le bouton Eau du panneau de contrôle pour servir de l'eau.
	Les portes du réfrigérateur ou du congélateur ne sont pas fermées correctement	La distribution d'eau ne se fait pas si les portes du réfrigérateur sont ouvertes
	Le filtre à eau vient d'être enlevé ou remplacé	Après le remplacement du filtre à eau, servez 2,5 gallons d'eau (laissez couler pendant environ 5 minutes) pour évacuer l'air emprisonné et les éléments contaminants du système. Ne servez pas les 2,5 gallons en une seule fois. Actionnez le bloc de distribution pendant 30 secondes puis relâchez-le pendant 60 secondes, par cycles
	Le tuyau reliant le réfrigérateur au robinet d'approvisionnement est plié	Le tuyau peut se plier lorsque le réfrigérateur est déplacé lors de l'installation ou du nettoyage, provoquant une réduction du débit d'eau. Redressez ou réparez la ligne d'arrivée d'eau et disposez-la afin d'éviter un nouveau pliage
	L'arrivée d'eau du domicile n'est pas connectée, le robinet n'est pas complètement ouvert ou la valve est bouchée	Connectez le réfrigérateur à une alimentation d'eau et ouvrez le robinet d'eau complètement. Si le problème persiste, il sera peut-être nécessaire de contacter un plombier.

Problème	Causes possibles	Solutions
La glace a un mauvais goût ou une mauvaise odeur	L'arrivée d'eau contient des minéraux comme du soufre	L'installation d'un filtre à eau est peut-être nécessaire pour éliminer les problèmes de goût et d'odeur. REMARQUE : Dans certains cas, un filtre à eau peut se révéler insuffisant. Il n'est pas toujours possible d'éliminer les minéraux / goût / odeur présents dans l'arrivée d'eau
	Le distributeur de glace vient d'être installé	Jetez les premiers tas de glace afin d'éviter la glace décolorée ou ayant mauvais goût.
	La glace est stockée depuis trop longtemps	La glace se tasse, devient trouble ou prend un goût désagréable lorsqu'elle est stockée trop longtemps. Jetez l'ancienne glace et fabriquez-en une nouvelle réserve.
	Les aliments n'ont pas été rangés de manière appropriée dans un des compartiments	Réemballez les aliments. Les odeurs peuvent se fixer à la glace si les aliments ne sont pas emballés correctement.
	L'intérieur du réfrigérateur doit être nettoyé	Veillez vous reporter à la section Entretien & Nettoyage pour plus d'informations
	Le bac à glace doit être nettoyé	Videz et lavez le bac (jetez les vieux glaçons). Assurez-vous que le bac est complètement sec avant de le réinstaller.
L'eau distribuée est chaude	Le réfrigérateur vient d'être installé	Laissez le réfrigérateur tourner pendant 24h après l'installation pour permettre au réservoir de stockage de l'eau de refroidir complètement.
	Le distributeur d'eau vient d'être utilisé et le réservoir de stockage est vide	Selon votre modèle, la capacité du réservoir de stockage va de 20 à 30 onces.
	Le distributeur n'a pas été utilisé pendant plusieurs heures	Si le distributeur n'a pas été utilisé pendant plusieurs heures, le premier verre servi peut être tiède. Jetez les 10 premiers onces.
	Le réfrigérateur est connecté à l'arrivée d'eau chaude	Assurez-vous que le réfrigérateur est connecté à l'arrivée d'eau froide ⚠ AVERTISSEMENT : Le distributeur de glace peut être endommagé si vous le connectez à une arrivée d'eau chaude
L'eau a un mauvais goût ou une mauvaise odeur	L'arrivée d'eau contient des minéraux comme du soufre	L'installation d'un filtre à eau est peut-être nécessaire pour éliminer les problèmes de goût et d'odeur.
	Le filtre à eau est épuisé	Il est recommandé de remplacer le filtre à eau : <ul style="list-style-type: none"> • Tous les six mois environ • Lorsque le voyant du filtre à eau s'allume • Lorsque la sortie de la distribution d'eau diminue • Lorsque les cubes de glace sont plus petits que la normale
	Le réfrigérateur vient d'être installé	Servez 2,5 gallons d'eau (laissez couler pendant environ 5 minutes) pour évacuer l'air emprisonné et les éléments contaminants du système. Ne servez pas les 2,5 gallons en une seule fois. Actionnez le bloc de distribution pendant 30 secondes puis relâchez-le pendant 60 secondes, par cycles
Le distributeur de glace produit trop de glace	Le contrôle (levier / capteur) de fabrication de la glace est obstrué	Videz le bac à glace. Si votre distributeur est équipé d'un levier de contrôle de la glace, assurez-vous que celui-ci pivote normalement. Si votre distributeur de glace est équipé d'un capteur de contrôle de la production de glace, assurez-vous que l'espace entre les deux capteurs est dégagé. Réinstallez le bac à glace et attendez 24h pour vérifier le fonctionnement correct de l'appareil.

Problème	Causes possibles	Solutions
Clic	Le contrôle du dégivrage cliquète lorsque le cycle de dégivrage automatique se met en route. Le contrôle de thermostat (ou le contrôle du réfrigérateur sur certains modèles) cliquète aussi en début et en fin de cycle.	Fonctionnement normal
Cliquetis	Les cliquetis peuvent provenir du débit du liquide réfrigérant, de l'arrivée d'eau à l'arrière de l'appareil, ou des éléments rangés au-dessus ou autour du réfrigérateur	Fonctionnement normal
	Le réfrigérateur n'est pas posé au sol de manière stable	Le sol flanche ou est inégal, ou les pieds de nivellement doivent être ajustés sous le réfrigérateur. Veuillez vous reporter à la section Alignement de la Porte
	Le compresseur linéaire du réfrigérateur s'est enrayé en cours de fonctionnement	Fonctionnement normal
Sifflement	Le moteur du ventilateur de l'évaporateur fait circuler de l'air à travers les compartiments du réfrigérateur et du congélateur.	Fonctionnement normal
	De l'air est envoyé sur le condensateur par le ventilateur du condensateur	Fonctionnement normal
Gargouillement	Liquide réfrigérant s'écoulant à travers le système de refroidissement	Fonctionnement normal
Pop	Contraction et expansion des parois internes dues aux changements de température	Fonctionnement normal
Grésillement	Eau s'égouttant sur le radiateur de dégivrage lors du cycle de dégivrage	Fonctionnement normal
Vibration	Si le côté ou l'arrière du réfrigérateur touche un meuble ou un mur, certaines des vibrations normales de l'appareil peuvent rendre un son audible	Pour supprimer ce bruit, assurez-vous que les côtés et l'arrière du réfrigérateur ne peuvent pas vibrer contre un meuble ou un mur.
Égouttement	Eau s'écoulant à travers l'égouttoir au cours du cycle de dégivrage	Fonctionnement normal
Pulsations ou son aigu	Votre réfrigérateur est conçu pour fonctionner de manière plus efficace pour garder vos aliments à la bonne température. Le compresseur à haute performance peut amener votre nouveau réfrigérateur à fonctionner plus régulièrement, mais il est toujours plus économe en énergie que les anciens modèles. Il est normal d'entendre des pulsations ou un son aigu au cours du fonctionnement de votre réfrigérateur.	Fonctionnement normal

Problème	Causes possibles	Solutions
Les portes ne se ferment pas complètement ou s'ouvrent toutes seules	Des emballages alimentaires bloquent la fermeture de la porte	Réorganisez les conteneurs alimentaires sur la porte et sur les étagères pour dégager la zone de fermeture
	Le bac à glace, le couvercle du bac à légume, les bacs, les étagères, les tiroirs ou les paniers ne sont pas positionnés correctement.	Poussez les bacs jusqu'au fond et placez le couvercle du bac à légume, les bacs, les étagères, les tiroirs et les paniers dans leur position normale. Veuillez consulter la section Utilisation de votre Réfrigérateur pour plus d'informations.
	Les portes ont été enlevées durant l'installation de l'appareil et n'ont pas été correctement remises en place	Enlevez et repositionnez les portes de la manière décrite dans la section Enlever et Repositionner les Poignées et les Portes du Réfrigérateur.
	Le réfrigérateur n'est pas positionné bien à l'horizontale	Veuillez vous reporter à la section Alignement des Portes dans la partie Installation du Réfrigérateur pour positionner correctement celui-ci
Les portes sont difficiles à ouvrir	Les joints sont sales ou collants	Nettoyez les joints et les surfaces de contact. Frottez un chiffon avec du lustre ou de la cire pour meubles sur les joints après les avoir nettoyés
	La porte vient d'être refermée	Lorsque vous ouvrez la porte, de l'air tiède entre dans le réfrigérateur. À mesure que l'air tiède se refroidit, il peut créer un effet d'aspiration. Si la porte est difficile à ouvrir, veuillez patienter une minute pour permettre à la pression de l'air de s'équilibrer, et vérifiez que la porte s'ouvre plus facilement.
Le réfrigérateur vacille ou paraît instable	Les pieds de nivellement ne sont pas correctement ajustés	Veuillez vous reporter à la section Positionnement et Alignement des Portes
	Le sol n'est pas égal	Il peut être nécessaire de placer des cales sous les pieds de nivellement pour terminer l'installation
L'éclairage ne fonctionne pas	Panne des diodes d'éclairage interne	La lampe du compartiment du réfrigérateur est une diode d'éclairage interne, et sa maintenance doit être réalisée par un technicien qualifié. Veuillez vous reporter à la section Remplacement d'une ampoule.
Le réfrigérateur possède une odeur inhabituelle	Le filtre à air doit peut-être être positionné sur la valeur MAX ou être remplacé	Positionnez le filtre à air sur la valeur MAX. Si l'odeur persiste pendant plus de 24h, le filtre doit probablement être changé. Veuillez vous reporter à la section Remplacement du Filtre à Air pour les consignes de remplacement.

GARANTIE (ÉTATS-UNIS)

Si votre réfrigérateur LG («Produit») ne fonctionne pas à cause d'un défaut de matériel ou de fabrication lors de l'usage domestique normal au cours de la période de garantie énoncée ci-dessous, LG Canada réparera ou remplacera le produit, à sa discrétion. Cette garantie limitée est valide uniquement pour l'acheteur original du produit et ne s'applique que lorsqu'il est acheté et utilisé aux États-Unis, y compris sur les territoires américains. La preuve de originale d'achat est exigée pour obtenir le service de garantie en vertu de cette garantie limitée.

PÉRIODE DE GARANTIE			
Réfrigérateur/Congélateur	Système scellé (condensateur, sèche-linge, tuyau de raccordement, réfrigérant et évaporateur)		Compresseur linéaire
Un (1) an à compter de la date d'achat initial	Un (1) an à compter de la date d'achat initial	Sept (7) ans à compter de la date d'achat initial	Dix (10) ans à compter de la date d'achat initial
Pièces et main-d'œuvre (pièces internes/fonctionnelles uniquement)	Pièces et main-d'œuvre	Pièces uniquement (la main-d'œuvre sera facturée au client)	Pièces uniquement (la main-d'œuvre sera facturée au client)

Le bruit lié au fonctionnement normal, ne respecter pas les instructions dans le Guide d'utilisation et d'entretien et la panne fonctionnelle de cet appareil pour une utilisation dans un environnement inadapté, ne être pas couvertes par cette garantie.

- ▶ Les produits de remplacement et les pièces de rechange sont garantis pour la partie restante de la période de garantie originale ou pendant quatre vingt dix (90) jours, selon la période la plus élevée.
- ▶ Les produits de remplacement et pièces de rechange peuvent être neufs ou remis à neuf.

CETTE GARANTIE REMPLACE TOUTE AUTRE GARANTIE, EXPLICITE OU IMPLICITE, Y COMPRIS, SANS LIMITATION, TOUTE GARANTIE MARCHANDE OU D'ADAPTATION À UN USAGE PARTICULIER. DANS LA MESURE OU TOUTE GARANTIE IMPLICITE EST EXIGÉE PAR LA LOI, SA DURÉE EST LIMITÉE À LA PÉRIODE DE GARANTIE INDIQUÉE CI-DESSUS. NI LE FABRICANT NI SON DISTRIBUTEUR AMÉRICAIN NE SONT TENUS RESPONSABLES POUR LES DOMMAGES FORTUITS, CORRÉLATIFS, INDIRECTS, SPÉCIAUX OU LES DOMMAGES ET INTÉRÊTS PUNITIFS DE LA NATURE QUI SOIT, Y COMPRIS, MAIS NON LIMITÉ AUX PERTES ET LES BÉNÉFICES OU À TOUT AUTRE DOMMAGE, DE BASE CONTRACTUELLE, DÉLICTELLE OU AUTREMENT. Certains états ne permettent pas l'exclusion ou la limitation des dommages fortuits ou indirects ou les limitations sur la durée d'une garantie implicite, donc, l'exclusion ou la limitation susmentionnée peut ne pas s'appliquer à vous. Cette garantie vous donne des droits légaux spécifiques et vous pouvez également avoir d'autres droits qui varient d'un état à un autre.

CETTE GARANTIE LIMITÉE NE COUVRE PAS :

1. Les déplacements de service pour la livraison, le ramassage, ou l'installation ou la réparation du produit, l'instruction d'un client sur le fonctionnement du produit, la réparation ou le remplacement de fusibles ou la correction du câblage ou de la plomberie, ou la correction des réparations/installations non autorisées.
2. Les défauts de fonctionnement du produit pendant les pannes et les interruptions de courant ou dûs au service électrique inadéquat.
3. Les dommages causés par des conduites d'eau qui fuient ou qui sont cassées, des conduites d'eau gelées, des canalisations à autorisation restreinte, l'approvisionnement en eau insuffisante ou interrompue ou une provision d'air insuffisante.
4. Les dommages résultant de l'utilisation du produit dans une atmosphère corrosive ou contraire aux instructions décrites dans le manuel du propriétaire du produit.
5. Les dommages au produit causés par des accidents, les insectes et la vermine, la foudre, le vent, le feu, les inondations ou les actes de Dieu.
6. Les dommages résultant de la mauvaise utilisation, l'abus, la mauvaise installation, réparation ou maintenance. Une mauvaise réparation comprend l'utilisation de pièces non approuvées ou non spécifiées par LG.
7. Les dommages ou la défectuosité causés par une modification ou altération non autorisée, ou si le produit est utilisé pour d'autres fins que celles prévues, ou par toute fuite d'eau lorsque l'unité n'a pas été correctement installée.
8. Les dommages ou les ruptures causés par un courant électrique, une tension, ou des codes de plomberie incorrects, l'utilisation commerciale ou industrielle, ou l'utilisation d'accessoires, de composants ou de produits consommables de nettoyage qui ne sont pas approuvés par LG.
9. Les dommages causés par le transport et la manutention, notamment les éraflures, les bosses, les fissures, et / ou d'autres dommages à la finition de votre produit, à moins que ces dommages soient causés par des défauts de matériaux ou de fabrication et soient signalés dans une (1) semaine de la livraison (Appeler le : 1-800-243-0000).
10. Les dommages ou les éléments manquants à tout produit d'exposition, de promotion ou remis à neuf.
11. Les produits avec des numéros de série originaux qui ont été enlevés, modifiés ou ne pouvant pas être facilement déterminés. Les numéros de modèle et de série, ainsi que le reçu original de la vente au détail, sont nécessaires pour valider la garantie.
12. L'augmentation des coûts des services publics et les frais de services publics supplémentaires.
13. Le remplacement des ampoules, des filtres ou de toute pièce consommable.
14. Les réparations lorsque le produit est utilisé autrement que pour un usage domestique normal et habituel (à savoir, l'utilisation commerciale, dans des bureaux ou les installations de loisirs) ou contraire aux instructions décrites dans le manuel du propriétaire du produit.
15. Les coûts associés à l'enlèvement de votre produit de votre domicile pour des réparations.
16. L'enlèvement et la réinstallation du produit s'il est installé dans un endroit inaccessible ou n'est pas installé conformément aux instructions d'installation publiées, y compris les manuels d'utilisation et d'installation du LG.
17. Les étagères, les bacs de porte, les tiroirs, les poignées, les accessoires et autres pièces en dehors de celles qui ont été initialement incluses dans ce modèle particulier.

Le coût de réparation ou de remplacement en vertu de ces circonstances exclues est à la charge du consommateur.

Pour plus de détails complets sur la garantie et l'assistance à la clientèle, veuillez appeler ou visiter notre site web. Appelez le 1-800-243-0000 (24 heures/jour, 365 jours/an) et sélectionnez l'option adéquate dans le menu, ou visitez notre site web au <http://us.lg.com>. Ou par courrier:

Or by mail: LG Customer Information Center:
P. O. Box 240007, 201 James Record Road
Huntsville, Alabama 35813 ATTN: CIC

Inscrivez votre information de garantie ci-dessous: _____
Information d'enregistrement dui produit : _____
Modèle: _____ Numéro de série : _____
Date d'achat : _____

GARANTIE (CANADA)

GARANTIE: Si votre réfrigérateur LG («Produit») ne fonctionne pas à cause d'un défaut de matériel ou de fabrication lors de l'usage domestique normal au cours de la période de garantie énoncée ci-dessous, LG Canada réparera ou remplacera le produit à la réception de la preuve d'achat originale, à sa discrétion. Cette garantie est valable uniquement pour l'acheteur original au détail du produit et ne s'applique qu'à un produit distribué au Canada par LG Canada ou par un distributeur canadien autorisé. La garantie s'applique seulement aux produits situés et utilisés au Canada.

PÉRIODE DE GARANTIE : (Remarque : dans le cas où la date d'achat initial ne peut pas être vérifiée, la garantie commence soixante (60) jours après la date de fabrication).			
Réfrigérateur/Congélateur	Système scellé (condensateur, sèche-linge, tuyau de raccordement, réfrigérant et évaporateur)		Compresseur linéaire
Un (1) an à compter de la date d'achat initial	Un (1) an à compter de la date d'achat initial	Sept (7) ans à compter de la date d'achat initial	Dix (10) ans à compter de la date d'achat initial
Pièces et main-d'œuvre (pièces internes/fonctionnelles uniquement)	Pièces et main-d'œuvre	Pièces uniquement (la main-d'œuvre sera facturée au client)	Pièces uniquement (la main-d'œuvre sera facturée au client)

Le bruit lié au fonctionnement normal, ne respecter pas les instructions dans le Guide d'utilisation et d'entretien et la panne fonctionnelle de cet appareil pour une utilisation dans un environnement inadapté, ne être pas couvertes par cette garantie.

- Les produits de remplacement et les pièces de rechange sont garantis pour la partie restante de la période de garantie originale ou pendant quatre vingt dix (90) jours, selon la période la plus élevée.
- Les produits de remplacement et pièces de rechange peuvent être neufs ou remis à neuf.
- Les centres de réparation agréés par LG garantissent leurs travaux de réparation pendant trente (30) jours.

LA SEULE RESPONSABILITÉ DE LG CANADA EST LIMITÉE À LA GARANTIE DÉCRITE CI-DESSUS. SAUF SI CELA EST EXPRESSÉMENT STIPULÉ, LG CANADA NE FAIT AUCUNE RÉCLAMATION ET REJETTE DONC TOUTE AUTRE GARANTIE ET CONDITION CONCERNANT LE PRODUIT, EXPLICITE OU IMPLICITE, Y COMPRIS, MAIS SANS S'Y LIMITER, À TOUTE GARANTIE IMPLICITE OU QUALITÉ MARCHANDE OU ADAPTATION À UN USAGE PARTICULIER, ET AUCUNE DÉCLARATION N'EST OBLIGATOIRE SUR LG CANADA. LG CANADA N'AUTORISE AUCUNE PERSONNE À CRÉER OU À ASSUMER EN SON NOM AUCUNE AUTRE OBLIGATION OU RESPONSABILITÉ DE GARANTIE EN RELATION AVEC LE PRODUIT. DANS LA MESURE OU TOUTE GARANTIE OU CONDITION EST IMPLICITE PAR LA LOI, SA DURÉE EST LIMITÉE À LA PÉRIODE DE GARANTIE INDIQUÉE CI-DESSUS. LG CANADA, LE FABRICANT OU SON DISTRIBUTEUR NE SONT PAS TENUS RESPONSABLES POUR LES DOMMAGES FORTUITS, CORRÉLATIFS, DIRECTS OU INDIRECTS, LES PERTES DE CLIENTÈLE, LES PERTES DE BÉNÉFICES, LES DOMMAGES ET INTÉRÊTS PUNITIFS OU EXEMPLAIRES, OU TOUT AUTRE DOMMAGE, RÉSULTANT DIRECTEMENT OU INDIRECTEMENT DE TOUT MANQUEMENT AUX OBLIGATIONS CONTRACTUELLES, FONDAMENTAL OU AUTREMENT, OU RÉSULTANT DE TOUTE ACTION OU OMISSION, DE NATURE DÉLICTUELLE OU AUTREMENT. Cette garantie vous donne des droits légaux spécifiques. Vous pouvez avoir d'autres droits qui peuvent varier d'une province à l'autre selon les lois provinciales applicables. Tout terme de cette garantie qui nie ou modifie toute condition ou garantie implicite en vertu de la loi provinciale est susceptible de disjonction lorsqu'il entre en conflit avec la loi provinciale sans affecter le reste des termes de cette garantie.

CETTE GARANTIE LIMITÉE NE COUVRE PAS :

1. Les déplacements de service pour la livraison, le ramassage, ou l'installation du produit; l'instruction d'un client sur le fonctionnement du produit, la réparation ou le remplacement de fusibles ou la correction du câblage ou de la plomberie, ou la correction des réparations/installations non autorisées.
2. Les défauts de fonctionnement du produit pendant les pannes et les interruptions de courant ou dûs au service électrique inadéquat.
3. Les dommages causés par des conduites d'eau qui fuient ou qui sont cassées, des conduites d'eau gelées, des canalisations à autorisation restreinte, l'approvisionnement en eau insuffisante ou interrompue ou une provision d'air insuffisante.
4. Les dommages résultant de l'exploitation du produit dans une atmosphère corrosive ou contraire aux instructions décrites dans le manuel du propriétaire du produit.
5. Les dommages au produit causés par des accidents, les insectes et la vermine, la foudre, le vent, le feu, les inondations ou les actes de Dieu.
6. Les dommages résultant de la mauvaise utilisation, l'abus, la mauvaise installation, réparation ou maintenance du produit. Une mauvaise réparation comprend l'utilisation de pièces non approuvées ou non spécifiées par LG Canada.
7. Les dommages ou la rupture du produit causés par la modification ou l'altération non autorisée, ou l'utilisation à des fins autres que celles initialement désignées ou résultant de toute fuite d'eau due à une mauvaise installation.
8. Les dommages ou les ruptures du produit causés par un courant électrique, une tension, ou des codes de plomberie incorrects, l'utilisation commerciale ou industrielle, ou l'utilisation d'accessoires, de composants ou de produits de nettoyage qui ne sont pas approuvés par LG Canada.
9. Les dommages causés par le transport et la manutention, notamment les éraflures, les bosses, les fissures, et / ou d'autres dommages à la finition de votre produit, à moins que ces dommages soient causés par des défauts de matériaux ou de fabrication et soient signalés dans une (1) semaine de la livraison.
10. Les dommages ou les éléments manquants à tout produit d'exposition, de promotion ou remis à neuf.
11. Les produits avec numéro de série original qui ont été enlevés, modifiés ou ne peuvent pas être facilement déterminés. Les numéros de modèle et de série, ainsi que le reçu original de la vente au détail, sont nécessaires pour valider la garantie.
12. L'augmentation des coûts des services publics et les frais de services publics supplémentaires.
13. Le remplacement des ampoules, des filtres ou de toute pièce consommable.
14. Les réparations lorsque le produit est utilisé autrement que pour un usage domestique normal et habituel (y compris, sans limitation, l'utilisation commerciale, dans des bureaux ou les installations de loisirs) ou contraire aux instructions décrites dans le manuel du propriétaire du produit.
15. Les coûts associés à l'enlèvement du produit de chez vous pour les réparations.
16. L'enlèvement et la réinstallation du produit s'il est installé dans un endroit inaccessible ou n'est pas installé conformément aux instructions d'installation publiées, y compris les manuels d'utilisation et d'installation du produit.
17. Les étagères, les bacs de porte, les tiroirs, les poignées, et les accessoires pour le produit. Sont également exclues les pièces en plus de celles qui ont été initialement incluses dans le produit.

Tous les coûts liés à la situation ci-dessus exclus sont à charge du consommateur.

Pour plus de détails complets sur la garantie et l'assistance à la clientèle, veuillez appeler ou visiter notre site web. Appelez le 1-888-542-2623 (24 heures/jour, 365 jours/an) et sélectionnez l'option adéquate dans le menu, ou visitez notre site web au <http://www.lg.ca>

Inscrivez votre information de garantie ci-dessous: _____
 Information d'enregistrement dui produit : _____
 Modèle: _____ Numéro de série : _____
 Date d'achat : _____



ESPAÑOL

MANUAL DEL PROPIETARIO REFRIGERADOR DE PUERTA FRANCES

Lea este manual de usuario detenidamente antes de la utilización y guárdelo a mano para futuras consultas.

LFX25974**

ÍNDICE

3 CARACTERÍSTICAS DEL PRODUCTO

4 INSTRUCCIONES IMPORTANTES SOBRE SEGURIDAD

7 COMPONENTES

- 7 Exterior del refrigerador
- 8 Interior del refrigerador
- 8 - Partes y componentes claves
- 9 - Características especiales

10 INSTALACIÓN

- 10 Especificaciones
- 11 Desembalaje del refrigerador
- 11 Cómo escoger la ubicación adecuada
 - 11 - Tipo de piso
 - 11 - Temperatura ambiente
 - 11 - Cómo medir la distancia de separación mínima
- 12 Montaje y desmontaje de las manijas de la puerta del refrigerador
- 12 Montaje y desmontaje de la manija del cajón del congelador
- 13 Montaje y desmontaje de las puertas
 - 13 - Desmontaje de la puerta izquierda del refrigerador
 - 14 - Desmontaje de la puerta derecha del refrigerador
 - 14 - Montaje de la puerta derecha del refrigerador
 - 15 - Montaje de la puerta izquierda del refrigerador
 - 16 - Cómo extraer los cajones del congelador
 - 17 - Cómo ensamblar los cajones del congelador
- 18 Conexión de las tuberías de agua
 - 18 - Antes de empezar
 - 18 - Presión del agua
 - 18 - Qué necesitará
- 19 - Instrucciones para la instalación de la tubería de agua
- 20 Encendido
- 21 Nivelación y alineación de las puertas

22 INSTRUCCIONES DE USO

- 22 Antes de usar
- 22 Panel de control
 - 22 - Funciones del panel de control
- 25 Uso del depósito de hielo del interior de la puerta
 - 25 - Desmontaje del depósito de hielo del interior de la puerta
 - 25 - Montaje del depósito de hielo del interior de la puerta
- 26 Máquina de hielo automática
 - 26 - Encendido y apagado de la máquina de hielo automática
 - 27 - Cuando debería ajustar la máquina de hielo interruptor de alimentación en posición off (apagado)
 - 27 - Sonidos normales que se pueden escuchar
 - 27 - Preparándose para las vacaciones
- 28 Dispensador de hielo y agua
 - 28 - Dispensador
 - 28 - Uso del dispensador
 - 28 - Bloqueo del dispensador
 - 28 - Limpieza del soporte del dispensador
- 29 Almacenamiento de alimentos
 - 29 - Lugar de conservación de los alimentos
- 30 - Sugerencias para el almacenamiento de alimentos
 - 30 - Almacenamiento de alimentos congelados
- 31 Cajón para verduras con control de humedad y Glide'N'Serve
- 31 Montaje y desmontaje de las bandejas de almacenamiento
- 32 Ajuste de los estantes del refrigerador

33 MANTENIMIENTO

- 33 Limpieza
- 34 Reemplazo del filtro de agua

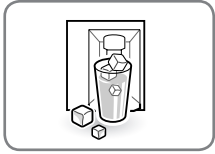
36 SMART DIAGNOSIS

37 SOLUCIÓN DE PROBLEMAS

45 GARANTÍA

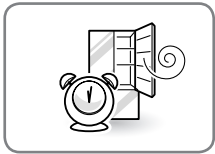
CARACTERÍSTICAS DEL PRODUCTO

* Dependiendo del modelo, algunas de las siguientes funciones podrán no estar disponibles.



AGUA FILTRADA Y DISPENSADOR DE HIELO

El dispensador de agua dispensa agua fresca y helada. El dispensador de hielo dispensa hielo picado y en cubos.



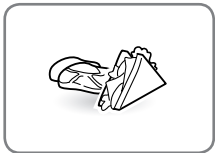
ALARMA DE LA PUERTA

La función de alarma de la puerta está diseñada para prevenir el malfuncionamiento del refrigerador que podría producirse si se dejara abierta una puerta del refrigerador o un cajón del congelador. Si se deja abierto una puerta del refrigerador o un cajón del congelador por más de 60 segundos, sonará una alarma de advertencia en intervalos de 30 segundos.



CAJÓN CON CONTROL DE HUMEDAD

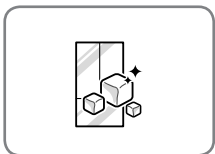
El cajón con control de humedad está diseñado para conservar sus frutas y vegetales frescos. Para controlar la cantidad de humedad en el cajón para verduras, ajuste el control en cualquier posición entre Low (bajo) y High (alto).



GLIDE'N'SERVE

Glide'N'Serve proporciona un espacio de almacenaje que mantiene el compartimento más frío que el refrigerador.

Es un lugar adecuado para guardar sándwiches o la carne que se va a cocinar.



FUNCIÓN ICE PLUS

La producción de hielo puede ser incrementada en aproximadamente un 20 por ciento cuando la sección del congelador se mantiene en la temperatura más fría durante un período de 24 horas.

INSTRUCCIONES IMPORTANTES SOBRE SEGURIDAD

LEA TODAS LAS INSTRUCCIONES ANTES DE USAR ESTE ELECTRODOMÉSTICO.

Este manual contiene muchos mensajes de seguridad importantes. **Lea y cumpla** siempre todos los mensajes de seguridad.



Éste es el símbolo de alerta de seguridad. Le avisa de mensajes de seguridad que le informan de peligros de muerte o lesiones para usted o los demás, o que puedan dañar el producto.

Todos los mensajes de seguridad estarán precedidos del símbolo de alerta de seguridad y de las palabras de señal de ADVERTENCIA o PRECAUCIÓN. Estas palabras significan:



ADVERTENCIA Si no respeta las instrucciones, podría morir o sufrir lesiones graves



PRECAUCIÓN Indica una situación peligrosa inminente que, si no se evita, puede producir una lesión menor o moderada, o daño al producto.



ADVERTENCIA

Para reducir el riesgo de incendio, descarga eléctrica o lesiones personales al utilizar el producto, se deben respetar una serie de precauciones de seguridad básicas, entre las que se incluyen las siguientes:

Energía eléctrica

- NUNCA desenchufe el refrigerador tirando del cable de corriente. Agarre siempre el enchufe firmemente y tire del mismo para retirarlo de la toma de corriente.
- Repare o reemplace de inmediato todos los cables de corriente pelados o con cualquier tipo de daño. No use un cable con grietas o abrasiones sobre su extensión o en los extremos del enchufe o conector.
- Nunca utilice un tomacorriente que no esté certificado.
- En caso de corte repentino de electricidad o tormenta eléctrica, desconecte el enchufe inmediatamente.
- Conecte el enchufe con el cable de alimentación en dirección hacia abajo.

Instalación

- Póngase en contacto con un centro de servicio técnico autorizado para instalar o trasladar el refrigerador.
- Cuando separe el refrigerador de la pared, tenga cuidado de no torcer o dañar el cable de alimentación.
- Antes de utilizar el producto, conéctelo a una toma de corriente terrestre dedicada de acuerdo con la clasificación eléctrica. Queda bajo responsabilidad del usuario reemplazar un tomacorriente de pared estándar de 2 tomas por uno estándar de 3 tomas.
- No instale el refrigerador en un lugar en el que exista peligro de caída.

Uso

- NO permita que los niños escalen, se monten o se cuelguen de las puertas o estantes del refrigerador. Podrían dañar el refrigerador o sufrir lesiones graves.
- No deposite ni cuelgue objetos pesados sobre el dispensador del refrigerador.
- No deposite objetos pesados o peligrosos (por ejemplo, botellas con líquido) sobre el refrigerador.
- No introduzca animales con vida dentro del refrigerador.
- No permita que los niños se trepen al producto mientras el mismo está en uso.
- En el caso de fuga de gas (propano/gas licuado de petróleo), ventile el lugar y póngase en contacto con un centro de servicio técnico autorizado antes de utilizar el producto. No toque ni desarme el tomacorriente eléctrico del refrigerador.
- En el caso de fuga del refrigerante, ubique los objetos inflamables lejos del refrigerador. Ventile el lugar y póngase en contacto con un centro de servicio técnico autorizado.
- No utilice ni ubique sustancias inflamables (químicos, medicamentos, cosméticos, etc.) cerca del refrigerador; tampoco los almacene dentro del refrigerador. No sitúe el refrigerador cerca de una fuente de gas inflamable.

LEA TODAS LAS INSTRUCCIONES ANTES DE USAR ESTE ELECTRODOMÉSTICO.

Para reducir el riesgo de incendio, descarga eléctrica o lesiones personales al utilizar el producto, se deben respetar una serie de precauciones de seguridad básicas, entre las que se incluyen las siguientes:

- No utilice este producto para fines especiales (almacenamiento de medicamentos o materiales de prueba o de transporte, etc.).
- Desenchufe el cable de alimentación antes de limpiar o reparar el refrigerador.
- Al reemplazar la bombilla del refrigerador, desenchufe el refrigerador o corte la corriente eléctrica.
- No modifique ni alargue el cable de corriente.
- No utilice secadoras eléctricas para secar el interior del producto. No prenda velas para remover el olor interno del producto.
- Por su seguridad, este electrodoméstico debe estar adecuadamente conectado a tierra. Solicite a un electricista cualificado que compruebe la toma de corriente y el circuito eléctrico para asegurarse de que la toma de corriente está correctamente conectada a tierra.
- No utilice ningún tomacorriente que pueda ser prendido o apagado mediante un interruptor. No utilice un alargador de corriente. Queda bajo responsabilidad del usuario reemplazar un tomacorriente de pared estándar de 2 tomas por uno estándar de 3 tomas.
- Bajo ninguna circunstancia, corte o quite la tercera clavija (de puesta a tierra) del cable eléctrico.
- No utilice adaptadores; enchufe el cable de alimentación a un alargador de tomacorrientes múltiples.
- Si escucha algún ruido, percibe un olor extraño o si detecta humo, desconecte el cable de alimentación de inmediato.
- En el caso de que entre agua o polvo en el refrigerador, apáguelo. Llame al servicio técnico.
- No desarme ni modifique el refrigerador.
- No introduzca manos, pies, u objetos metálicos debajo o detrás del refrigerador.
- No maneje el refrigerador o toque el cable de alimentación si sus manos se encuentran húmedas.
- En los refrigeradores con dispensadores automáticos de hielo, evite el contacto con partes móviles del mecanismo eyector o con el elemento de calor que dispensa los cubos. No introduzca los dedos o las manos en el mecanismo de fabricación automática de hielo con el refrigerador enchufado.
- Al retirar hielo del dispensador no utilice cristal cerámico.
- Cuando su refrigerador esté en funcionamiento, no toque las superficies frías del compartimiento del congelador con las manos mojadas o húmedas.
- No introduzca contenedores de vidrio, botellas de vidrio o refrescos en el congelador.
- Este producto no está diseñado para ser utilizado por personas (incluidos niños) con capacidades físicas, sensoriales o mentales reducidas, o con falta de experiencia y conocimiento, salvo que estén supervisados o hayan sido instruidos con respecto al uso del producto por una persona responsable de su seguridad.
- No vuelva a congelar alimentos congelados que se hayan descongelado completamente. Esto podría causar graves problemas de salud.
- Si va a desechar su antiguo refrigerador, asegúrese de que un técnico cualificado se encargue de retirar el refrigerante de CFC para su adecuada eliminación. Si usted emite refrigerante de clorofluorocarbonos, podría ser multado o encarcelado de conformidad con la ley ambiental vigente.
- Los refrigeradores desechados o abandonados son peligrosos, incluso si sólo es por unos pocos días. Al momento de desechar el refrigerador, retire los materiales de embalaje de la puerta o quite las puertas pero deje los estantes en su lugar a fin de que los niños no puedan escalar fácilmente por dentro.

LEA TODAS LAS INSTRUCCIONES ANTES DE USAR ESTE ELECTRODOMÉSTICO.

Para reducir el riesgo de incendio, descarga eléctrica o lesiones personales al utilizar el producto, se deben respetar una serie de precauciones de seguridad básicas, entre las que se incluyen las siguientes:

PRECAUCIÓN

Instalación

- El refrigerador se debe instalar correctamente de acuerdo con las instrucciones para el instalador incluidas en la hoja adhesiva pegada al frontal del refrigerador.
- Sea cuidadoso al desempacar e instalar el refrigerador. Deseche los materiales de embalaje (plásticos) inmediatamente, manteniéndolos fuera del alcance de los niños.

Uso

- Cierre la puerta cuidadosamente cuando haya niños cerca.
- Mantenga los dedos lejos de los puntos de riesgo de pinzamiento; las distancias de separación entre las puertas y los gabinetes son necesariamente pequeños. Tenga especial cuidado al cerrar las puertas cuando haya niños cerca.
- Si almacena comida apropiadamente, sea cuidadoso porque esta podría caerse y causar lesiones.

Mantenimiento

- No utilice detergentes fuertes tales como cera o diluyente para la limpieza. Limpie con una tela suave.
- Limpie regularmente elementos externos (polvo, agua, etc.) de las puntas del enchufe y zonas de contacto.

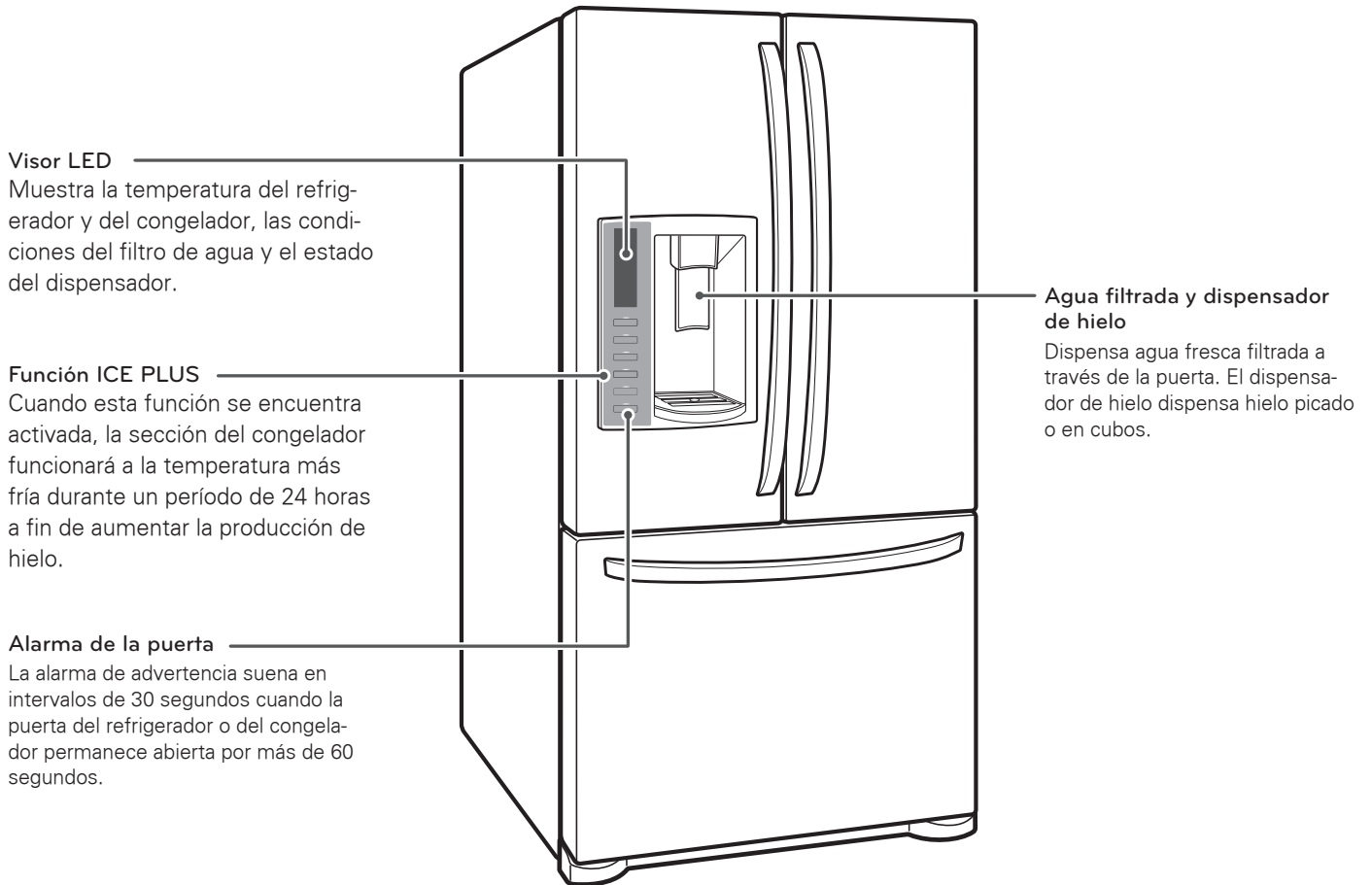
GUARDE ESTAS INSTRUCCIONES

COMPONENTES

Use esta página para familiarizarse con los componentes y características del refrigerador. Para su comodidad, se incluyen referencias a las páginas.

*La apariencia y especificaciones del producto real pueden cambiar dependiendo del modelo.

Exterior del refrigerador



Visor LED

Muestra la temperatura del refrigerador y del congelador, las condiciones del filtro de agua y el estado del dispensador.

Función ICE PLUS

Cuando esta función se encuentra activada, la sección del congelador funcionará a la temperatura más fría durante un período de 24 horas a fin de aumentar la producción de hielo.

Alarma de la puerta

La alarma de advertencia suena en intervalos de 30 segundos cuando la puerta del refrigerador o del congelador permanece abierta por más de 60 segundos.

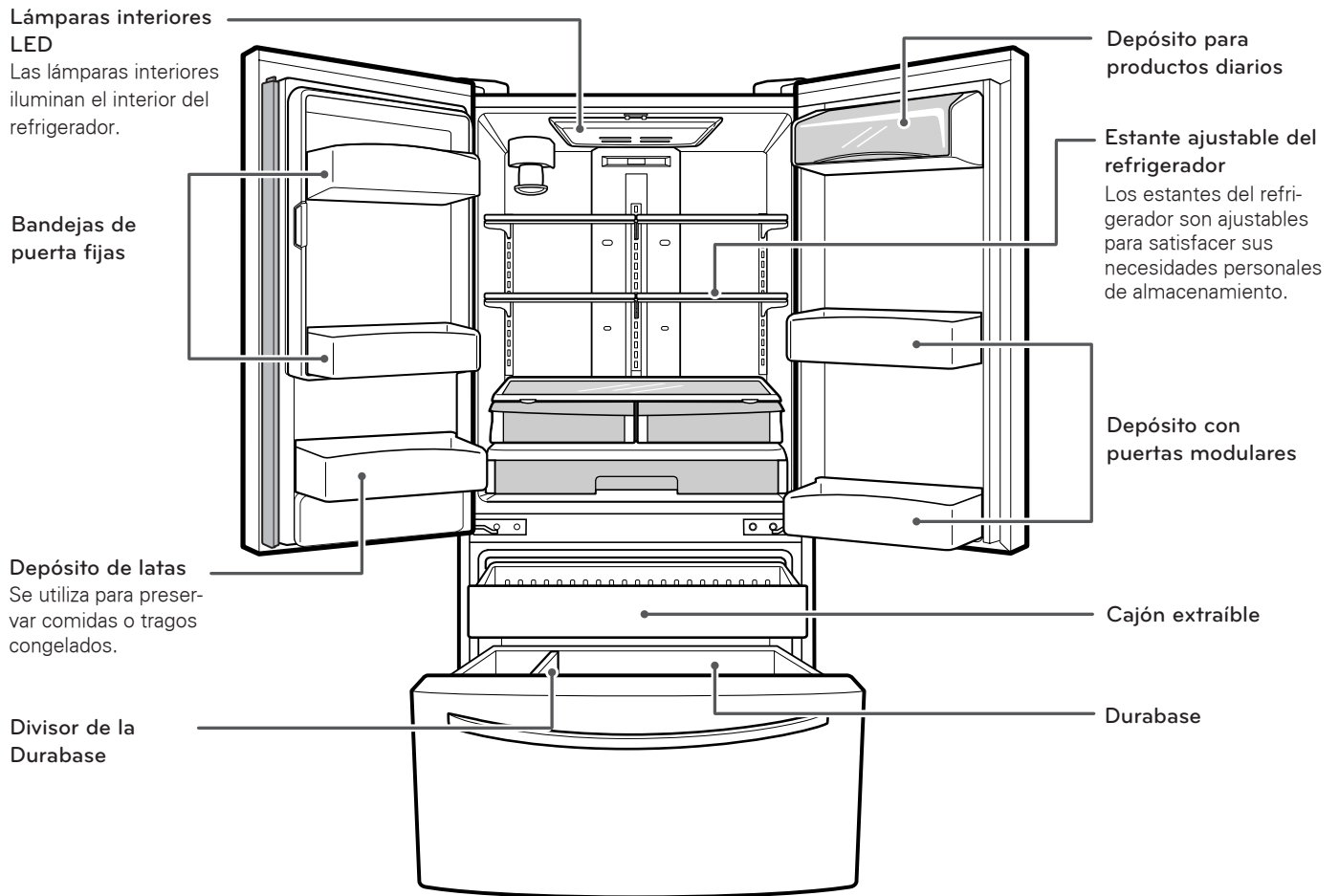
Agua filtrada y dispensador de hielo

Dispensa agua fresca filtrada a través de la puerta. El dispensador de hielo dispensa hielo picado o en cubos.

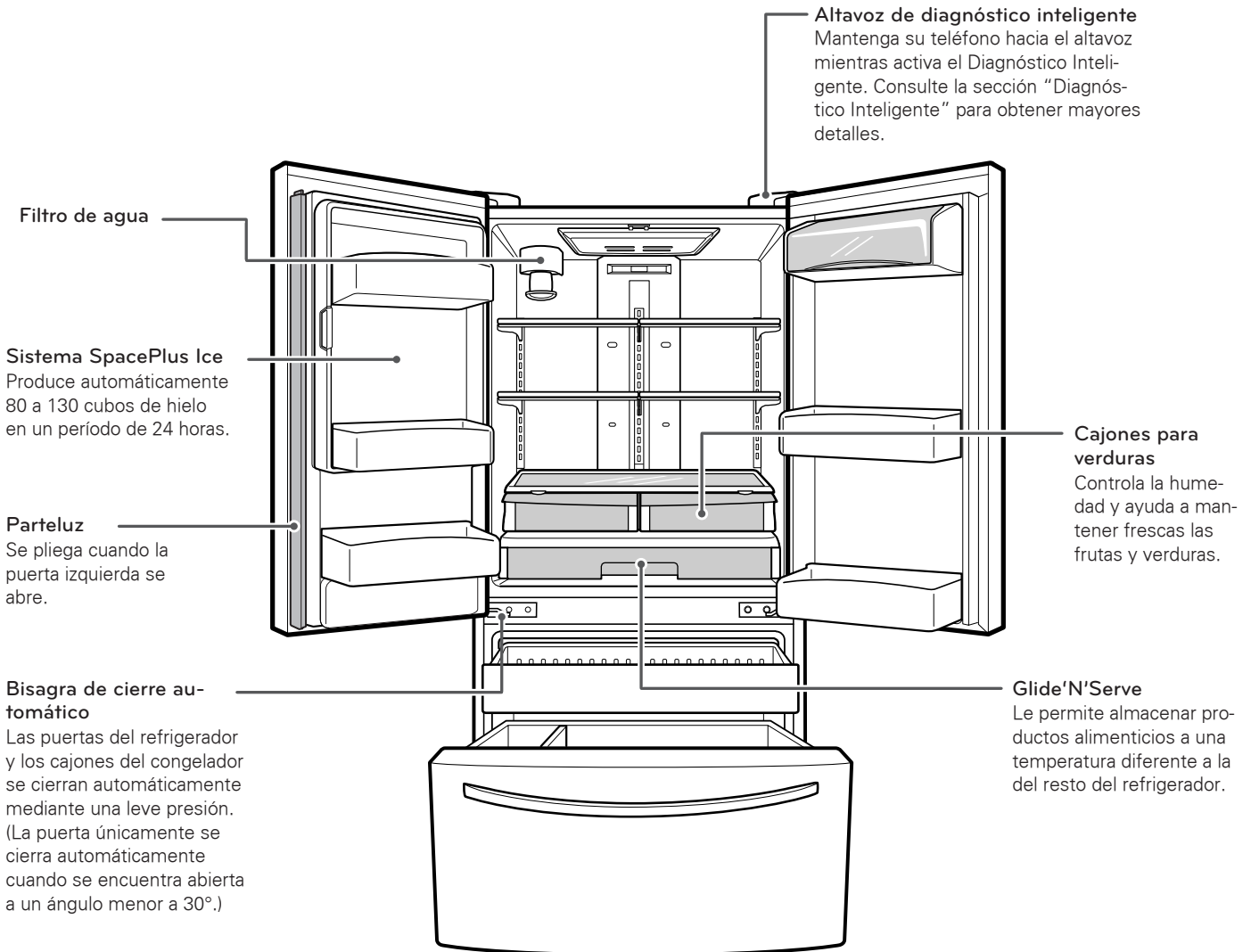
Interior del refrigerador

Piezas y componentes clave

ESPAÑOL



Características especiales



INSTALACIÓN

Especificaciones

La apariencia y especificaciones contenidas en este manual pueden variar debido a las constantes mejoras realizadas en el producto

Refrigerador con congelador inferior modelo LFX25974	
Descripción	Refrigerador con puerta francesa
Requisitos eléctricos	115 VAC @ 60 Hz
Presión de agua mínima/ máxima	20 -125 PSI (1.4 - 8.4 kgf/cm ²)
Dimensiones	35 3/4" (anchura) X 34 1/4" (profundidad) X 69 3/4" (altura), 46 1/2" (profundidad con la puerta abierta) 908 mm (anchura) X 869,95 mm (profundidad) X 1 771,65 mm (altura), 1 181,1 mm (profundidad con la puerta abierta)
Peso neto	140kg. (309 libras)
Capacidad de almacenamiento del refrigerador	17,56 pies cúbicos
Capacidad de almacenamiento del congelador	7,14 pies cúbicos

Desembalaje del refrigerador

! ADVERTENCIA

- El desplazamiento e instalación del refrigerador deben realizarse entre dos o más personas. Si no se respeta esta advertencia, se podrán producir lesiones en la espalda o de otro tipo.
- Su refrigerador es muy pesado. Al desplazarlo para su limpieza o mantenimiento, asegúrese de proteger el suelo. Siempre debe tirar del refrigerador en línea recta cuando los desplace. No menee ni zigzaguee el refrigerador al tratar de desplazarlo, ya que esto puede dañar el suelo.
- Mantenga los materiales o vapores inflamables, como la gasolina, lejos del refrigerador. Si no se cumple con esto se podrá producir una explosión, incendio o muerte.

Antes de su uso, retire la cinta adhesiva y todas las etiquetas temporales del refrigerador. No retire las etiquetas que indican advertencias, la etiqueta de modelo y número de serie ni la Hoja técnica que está ubicada debajo del frontal del refrigerador, detrás de la rejilla de la base.

Para retirar los restos de pegamento o cinta adhesiva, frote enérgicamente el área con el pulgar. Los residuos de pegamento o cinta adhesiva también se pueden retirar fácilmente frotando con los dedos una pequeña cantidad de lavavajillas líquido sobre el adhesivo. Aclare con agua templada y seque el área.

No utilice instrumentos afilados, alcohol desinfectante, líquidos inflamables ni limpiadores abrasivos para retirar la cinta adhesiva o el pegamento. Estos productos pueden dañar la superficie del refrigerador.

Los estantes del refrigerador están instalados en la posición de transporte. Vuelva a colocar los estantes de acuerdo con sus necesidades personales de almacenamiento.

Cómo escoger la ubicación adecuada

- Seleccione un lugar en el que se pueda conectar fácilmente el suministro de agua para la máquina de hielo automática.

! NOTA

La presión del agua debe estar entre los 20 y los 125 psi en modelos sin filtro de agua, y entre los 40 y 125 psi en modelos con filtro de agua.

- El refrigerador debe estar siempre enchufado a su toma de corriente individual conectada a tierra adecuadamente con una tensión nominal de 115 voltios, 60 Hz, sólo CA, y protegida mediante fusible a 15 ó 20 amperios. Esta configuración proporciona el mejor rendimiento y, al mismo tiempo, evita la sobrecarga de la instalación eléctrica de la casa que podría provocar un peligro de incendio debido a un sobrecalentamiento de los cables. Se recomienda disponer de un circuito independiente para la exclusiva alimentación de este electrodoméstico.

! ADVERTENCIA

Para reducir el riesgo de descarga eléctrica, no instale el refrigerador en un área húmeda ni mojada.

Tipo de piso

Para evitar el ruido y la vibración, es necesario nivelar la unidad e instalarla en un suelo sólidamente construido. Si es necesario, ajuste los pies de nivelación para compensar los desniveles del suelo. La parte delantera debe estar ligeramente más elevada que la posterior para ayudar al cierre de la puerta. Los pies de nivelación se pueden girar con facilidad inclinando ligeramente el aparato. Gire los pies de nivelación hacia la izquierda para elevar la unidad, y hacia la derecha para bajarla. (Consulte la sección de nivelación y alineación de las puertas).

! NOTA

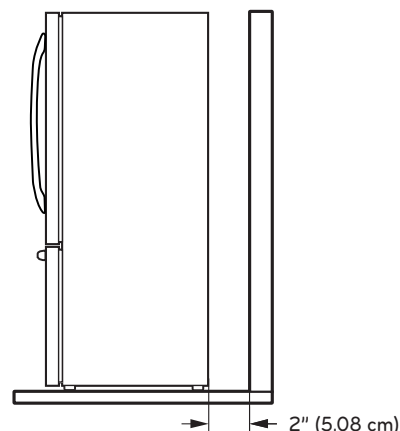
No se recomienda realizar la instalación sobre moqueta, superficies de baldosas flexibles, una plataforma o en una estructura con soporte inestable.

Temperatura ambiente

Instale este electrodoméstico en una zona donde la temperatura esté entre 13 °C (55 °F) y 43 °C (110 °F). Si la temperatura alrededor del electrodoméstico es demasiado baja o demasiado alta, la capacidad de refrigeración se verá gravemente afectada.

Cómo medir la distancia de separación mínima

Una distancia demasiado pequeña con los elementos adyacentes puede dar como resultado una reducción de la capacidad de congelación y un aumento del consumo eléctrico. Deje el menos 24 pulgadas (61 cm) en el frente del refrigerador para abrir la puertas y al menos 2 pulgadas (5,08 cm) entre la parte posterior del refrigerador y la pared.



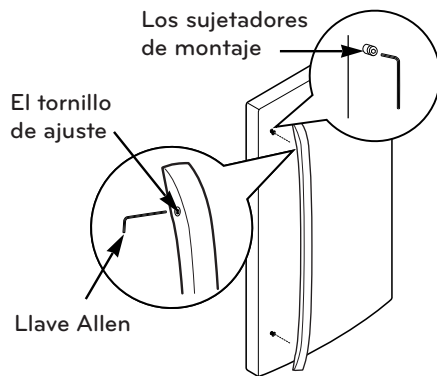
Montaje y desmontaje de las manijas de la puerta del refrigerador

! NOTA

Siempre se recomienda desmontar las puertas cuando sea necesario desplazar el refrigerador a través de un espacio estrecho. Si es necesario desmontar las manijas, siga las instrucciones que se indican a continuación.

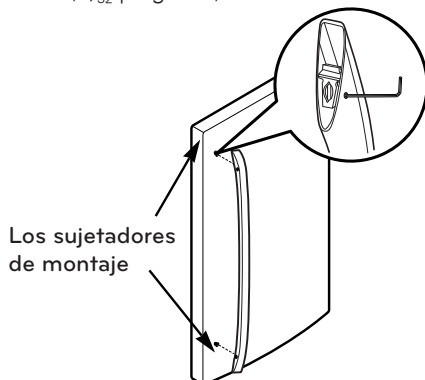
Desmontaje de las manijas

- 1 Afloje los tornillos de presión con una llave Allen de 2,5 mm. (3/32 pulg.). Suelte la llave Allen y extraiga la manija.
- 2 Afloje los sujetadores de montaje que conectan la puerta y la manija del refrigerador con una llave Allen de 1/4 pulg. y retire los sujetadores de montaje.



Montaje de las manijas

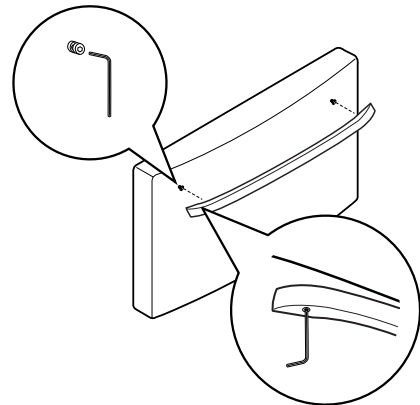
- 1 Coloque los sujetadores de montaje en ambos extremos de la manija con una llave Allen de 1/4 pulgadas.
- 2 Coloque la manija en la puerta ajustando las zonas de contacto de la manija sobre los sujetadores de montaje y apretando los tornillos de presión con una llave Allen de 3,1 mm. (3/32 pulgadas).



Montaje y desmontaje de la manija del cajón del congelador

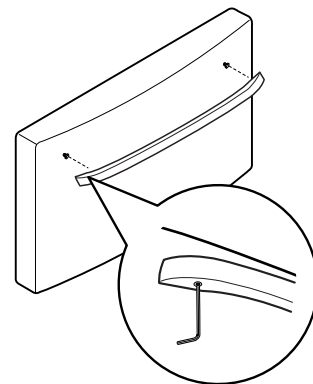
Desmontaje de las manijas

- 1 Afloje los tornillos de presión ubicados en la parte inferior de la manija con una llave Allen de 3,1 mm (1/8 pulg.) y retire la manija.
- 2 Afloje los sujetadores de montaje que conectan la puerta y la manija del refrigerador con una llave Allen de 1/4 pulg. y retire los sujetadores de montaje.



Montaje de las manijas

- 1 Coloque los sujetadores de montaje en ambos extremos de la manija con una llave Allen de 1/4 pulgadas.
- 2 Coloque la manija en la puerta ajustando las zonas de contacto de la manija sobre los sujetadores de montaje y apretando los tornillos de presión con una llave Allen de 3,1 mm. (1/8 pulgadas).



Montaje y desmontaje de las puertas y cajones

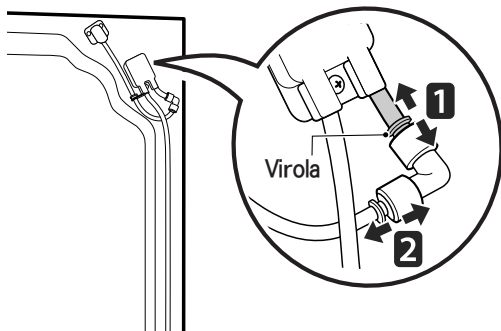
Siempre se recomienda desmontar las puertas cuando sea necesario desplazar el refrigerador a través de un espacio estrecho.

! ADVERTENCIA

- Si su puerta de entrada es demasiado estrecha para que pase el refrigerador, retire las puertas del refrigerador y páselo de costado a través de la puerta.
- El desplazamiento e instalación de las puertas del refrigerador deben realizarse entre dos o más personas. Si no se respeta esta advertencia, se podrán producir lesiones en la espalda o de otro tipo.
- Desenchufe el suministro eléctrico al refrigerador antes de realizar la instalación. Si no se respeta esta advertencia, pueden producirse lesiones graves e incluso la muerte.
- No ponga las manos, pies ni ningún otro objeto en las rejillas de ventilación de aire, la rejilla de la base o debajo del refrigerador. Podría sufrir lesiones o recibir una descarga eléctrica.
- Tenga cuidado cuando trabaje con la bisagra, la rejilla de la base y el tapón. Podrían producirse lesiones.
- Retire los alimentos y las bandejas de las puertas y la gavetas antes de realizar el desmontaje.

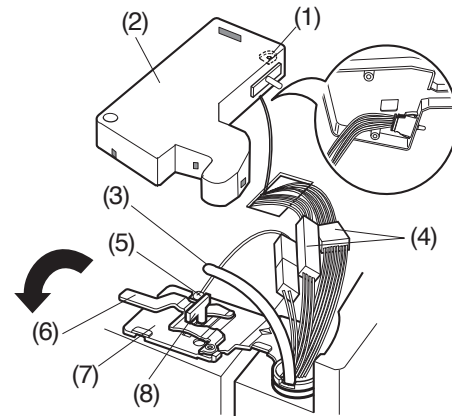
Desmontaje de la puerta izquierda del refrigerador

- 1 El suministro de agua está conectado a la parte superior de la superficie posterior del refrigerador. Retire el anillo del área de unión. Sostenga la conexión del suministro de agua y presione con cuidado el anillo metálico para desmontar el conducto de suministro de agua, tal como se muestra en la imagen **1** y **2**.



! NOTA

Detachment of the water supply line is applicable only when detaching the left refrigerator door.

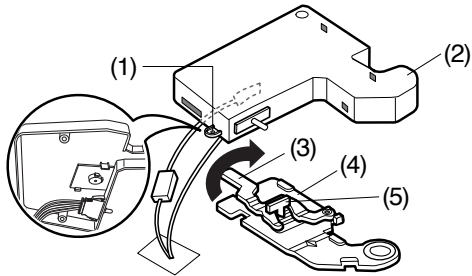


- 2 Abra la puerta izquierda. Retire el tornillo de la tapa de la bisagra superior (1). Levante la tapa (2).
- 3 Retire la tapa.
- 4 Saque el tubo (3).
- 5 Desconecte todos los mazos de cables (4).
- 6 Retire el tornillo con conexión a tierra (5).
- 7 Gire la palanca de la bisagra (6) en sentido contrario a las agujas del reloj. Levante la bisagra superior (7) libre del pestillo de palanca de la bisagra (8).
- 8 Levante la puerta del pasador de la bisagra central y extraiga la puerta.
- 9 Coloque la puerta, con el interior hacia arriba, sobre una superficie que no raye.

! PRECAUCIÓN

Cuando levante la bisagra libre del pestillo, tenga cuidado de que la puerta no se caiga hacia delante.

Desmontaje de la puerta derecha del refrigerador



- 1 Abra la puerta. Retire el tornillo de la tapa de la bisagra superior (1). Levante la tapa (2).
- 2 Retire la tapa.
- 3 Gire la palanca de la bisagra (3) en sentido horario. Levante la bisagra superior (4) libre del pestillo de palanca de la bisagra (5).
- 4 Levante la puerta del pasador de la bisagra central y extraiga la puerta.
- 5 Coloque la puerta, con el interior hacia arriba, sobre una superficie que no raye.

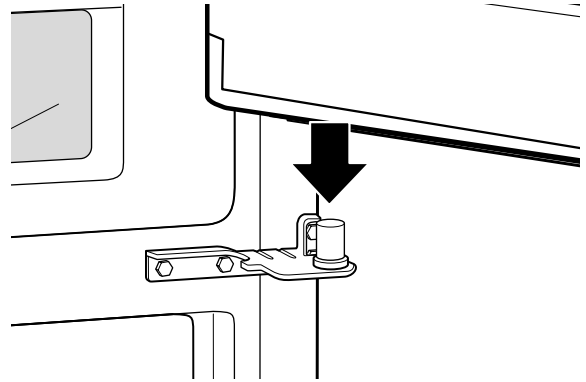


PRECAUCIÓN

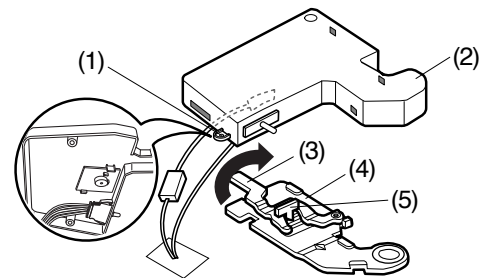
Cuando levante la bisagra libre del pestillo, tenga cuidado de que la puerta no se caiga hacia delante.

Montaje de la puerta derecha del refrigerador

Instale primero la puerta del lado derecho.



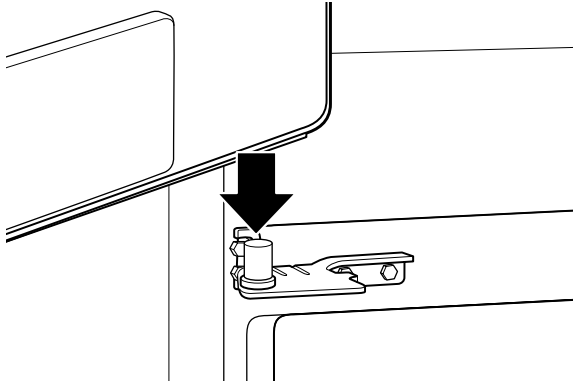
- 1 Baje la puerta hacia el pasador de la bisagra central. Asegúrese de que el mango plástico esté colocado en la parte inferior de la puerta.



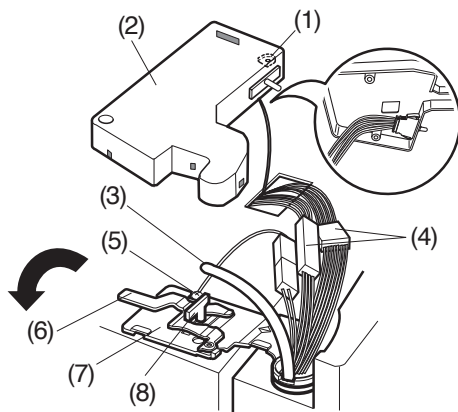
- 2 Encaje la bisagra superior (4) sobre el pestillo de palanca de la bisagra (5) y ajústela en su sitio.
- 3 Gire la palanca (3) en sentido contrario a las agujas del reloj para asegurar la bisagra.
- 4 Enganche las pestañas situadas en el lado derecho de la tapa de la bisagra (2) situada debajo del borde de la bisagra superior (4) y coloque la tapa en su sitio.
- 5 Inserte y apriete el tornillo de la tapa (1).

Montaje de la puerta izquierda del refrigerador

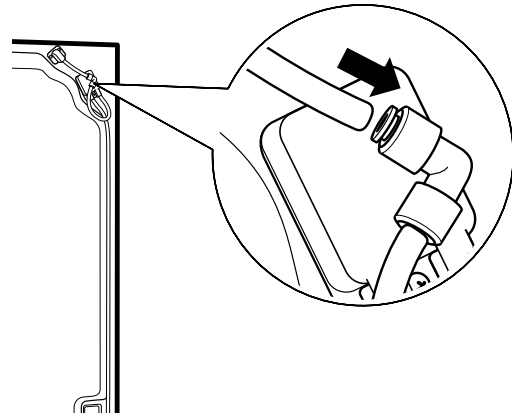
Instale la puerta izquierda del refrigerador luego de instalar la puerta derecha.



- 1 Baje la puerta hacia el pasador de la bisagra central.

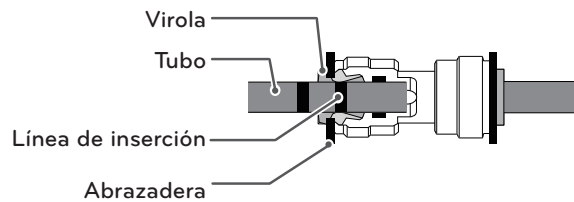


- 2 Encaje la bisagra superior (7) sobre el pestillo de palanca de la bisagra (8) y ajústela en su sitio.
- 3 Gire la palanca (6) en sentido horario para asegurar la bisagra.
- 4 Instale el tornillo con conexión a tierra (5) y conecte los dos mazos de cables (4).
- 5 Empuje el tubo de agua (3) situado en la parte superior de la puerta izquierda dentro del agujero situado junto a la bisagra izquierda de la parte superior del aparato hasta que salga por la parte trasera.
- 6 Inserte el tubo de suministro de agua (3) dentro del conector hasta que sólo se vea un trazo de escala. Inserte completamente la tapa del tubo (15 mm - pulg.).
- 7 Enganche las pestañas situadas en el lado derecho de la tapa de la bisagra (1) situada debajo del borde de la bisagra superior (7) y coloque la tapa en su sitio.
- 8 Inserte y apriete el tornillo de la tapa (1).

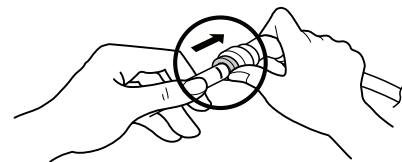


- 9 Inserte el tubo de suministro de agua al menos 15 mm. (5/8 pulg.) en el conector.
- 10 Enganche la pestaña situada en el lado del interruptor de la puerta de la tapa debajo del borde de la apertura para cables de la parte superior del aparato.
- 11 Ponga la tapa en su lugar. Inserte y apriete el tornillo de la cubierta.

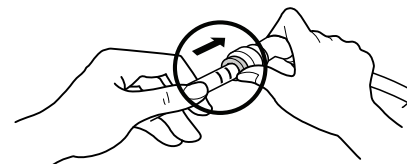
! NOTA



- 1) Presione con cuidado el anillo metálico e inserte el tubo hasta que sólo una línea quede visible en el tubo.



(Correcto)



(Incorrecto)

- 2) Tire el tubo para asegurarse que esté bien ajustado y luego inserte la abrazadera.

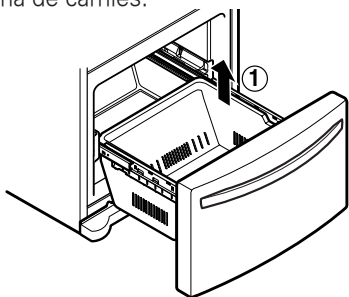
Cómo extraer los cajones del congelador

Todos los cajones superior, medio e inferior se retiran del mismo modo. En las figuras siguientes, no se muestra el cajón extraíble situado por encima del cajón del congelador para que la imagen sea más clara.

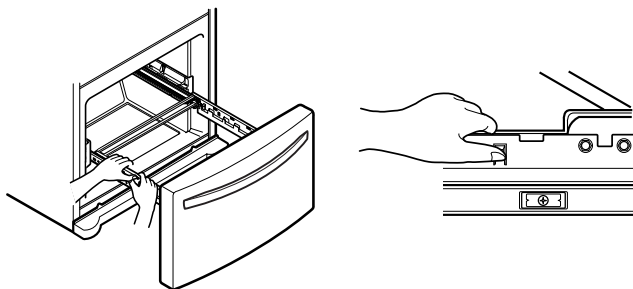
! PRECAUCIÓN

- El desplazamiento e instalación del cajón del congelador deben realizarse entre dos o más personas. Si no se respeta esta advertencia, se podrán producir lesiones en la espalda o de otro tipo.
- No agarre la manija mientras desmonta o vuelve a colocar el cajón. La manija podría salirse y provocar lesiones personales.
- Tenga cuidado con las bisagras punzantes en ambos lados del cajón.
- Cuando apoye el cajón sobre el piso, tenga cuidado de no dañarlo.
- No se siente ni se pare sobre el cajón del congelador.
- Mantenga a los niños y las mascotas alejados del cajón para evitar accidentes. No deje abierto el cajón.

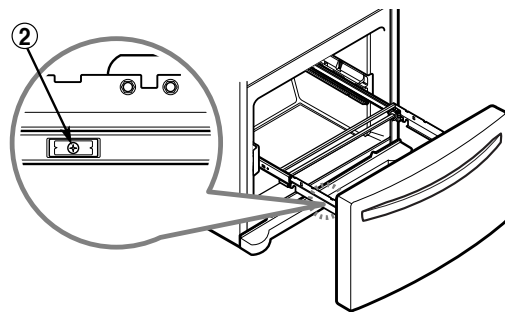
Saque el cajón abierto a la extensión completa. Retire el cesto inferior mediante el levantamiento de la cesta del sistema de carriles.



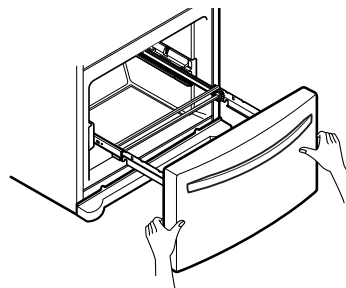
Presione las pestañas de las tapas de los raíles y levántelas para separarlas del conjunto del rail.



Retire los tornillos ② de ambos lados de la guía.

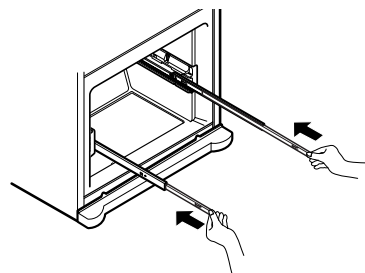


Con ambas manos, sujete los laterales de la puerta y tire hacia arriba para separarlos de los raíles.



! PRECAUCIÓN

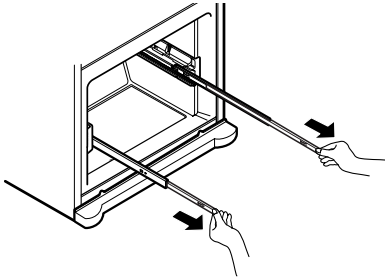
Cuando haya retirado el cajón, no lo sujete del tirador. Podría soltarse el tirador y causarle lesiones.



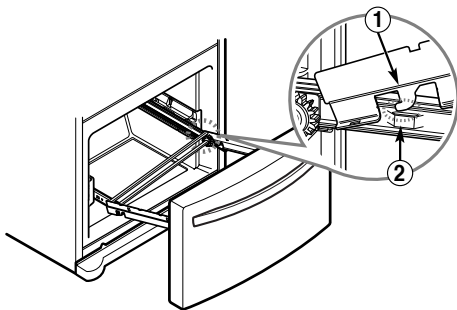
Con las dos manos, sujete la barra central y empujela hacia dentro de forma que ambos rieles se deslicen de forma simultánea.

Cómo ensamblar los cajones del congelador

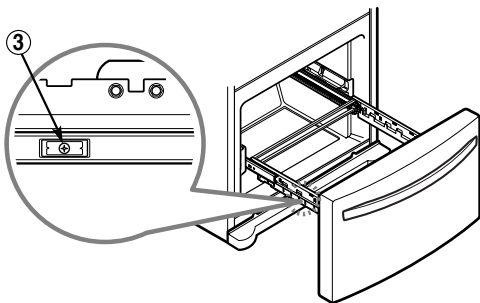
Con ambas manos, tire hacia afuera cada riel de forma simultánea hasta que ambos rieles se hayan extendido en su totalidad.



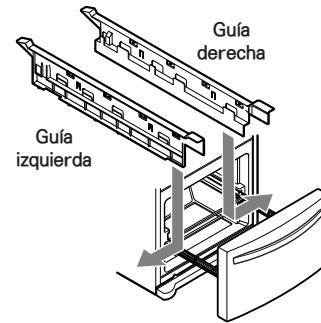
Monte el conector de la puerta ① a la percha de la guía ②.



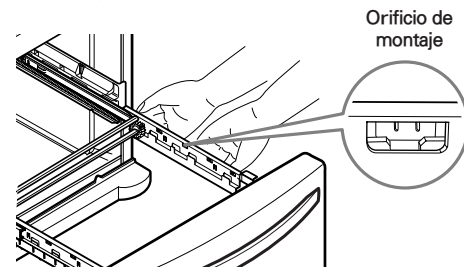
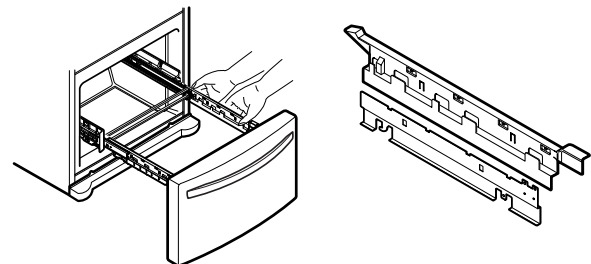
Empuje hacia abajo y monte el conector de la puerta apretando los tornillos ③.



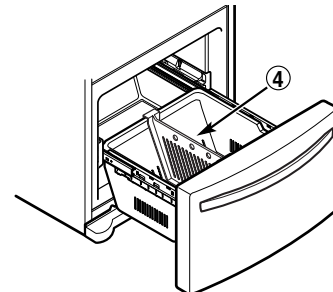
Asegúrese de que tiene el carril correcto para cubrir cada lado.



Alinee las pestañas de las tapas con los orificios de montaje de cada riel y presione las tapas en su posición.



Con el cajón extraído en toda su extensión, inserte la canasta inferior ④ en el ensamble del riel hasta que no se mueva hacia adelante.



⚠ ADVERTENCIA

- Si se retira el divisor Durabase, hay espacio suficiente para que los niños o mascotas se introduzcan en su interior. Para evitar que los niños o mascotas puedan quedar atrapados o sufrir asfixia, NO permita que toquen o se acerquen al cajón del congelador.
- NO se pare ni se sientan en cajón del congelado.

Conexión de las tuberías de agua

Antes de empezar

Esta instalación de la tubería de agua no está cubierta por la garantía del refrigerador. Siga estas instrucciones con cuidado para minimizar el riesgo de costosos daños debidos al agua.

El golpe de ariete (golpeteo del agua en las tuberías) en la fontanería de la casa podría dañar componentes del refrigerador y provocar una fuga o una inundación de agua. Llame a un fontanero cualificado para resolver el golpe de ariete antes de instalar la tubería de suministro de agua en el refrigerador.



PRECAUCIÓN

Para evitar quemaduras y daños en el producto, conecte solamente el tubo de agua del refrigerador a un suministro de agua fría.

Si va a usar el refrigerador antes de conectar la tubería de agua, asegúrese de que el interruptor de alimentación de la máquina de hielo está en la posición OFF (O).



PRECAUCIÓN

No instale la tubería de la máquina de hielo en zonas donde las temperaturas descienden por debajo del punto de congelación.

Presión del agua

Un suministro de agua fría. La presión del agua debe estar entre los 20 y los 125 psi en modelos sin filtro de agua, y entre los 40 y 125 psi en modelos con filtro de agua.

Si se conecta un sistema de filtración de agua de ósmosis inversa al suministro de agua fría, esta instalación de la tubería de agua no está cubierta por la garantía del refrigerador. Siga estas instrucciones con cuidado para minimizar el riesgo de costosos daños debidos al agua.

Si se conecta un sistema de filtración de agua de ósmosis inversa al suministro de agua fría, la presión de agua al sistema de ósmosis inversa debe ser como mínimo de entre 40 y 60 psi (2,8 kgf/cm² ~ 4,2 kgf/cm², menos de 2,0~3,0 segundos en llenar una taza de 200 cc. de capacidad).



PRECAUCIÓN

Use gafas protectoras durante la instalación para evitar lesiones.

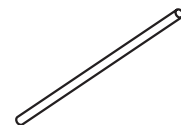
Si la presión del agua procedente del sistema de ósmosis inversa es inferior a 21 psi o 1,5 kgf/cm² (tarda más de 4 segundos en llenar una taza de 200 cc de capacidad):

- Compruebe si el filtro de sedimentos del sistema de ósmosis inversa está bloqueado. Reemplace el filtro si es necesario.

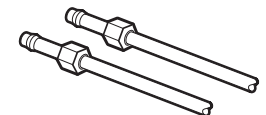
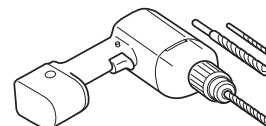
- Después de un uso intensivo, dele tiempo al depósito de almacenamiento del sistema de ósmosis inversa para que se llene.
- Si el problema relacionado con la presión de agua procedente de la ósmosis inversa persiste, llame a un fontanero cualificado.
- Todas las instalaciones deben realizarse conforme a los requisitos de los códigos locales de fontanería.

Qué necesitará

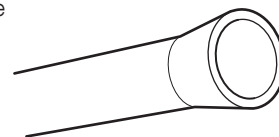
- Tubería de cobre, de ¼ de pulgada de diámetro, para conectar el refrigerador al suministro de agua. Asegúrese de que ambos extremos de la tubería están cortados a escuadra.
- Para determinar la cantidad de tubería que necesita: mida la distancia desde la válvula de agua situada en la parte posterior del refrigerador a la tubería del suministro de agua. A continuación, súmele 2,4 metros (8 pies). Asegúrese de que haya suficiente tubería adicional (aproximadamente 2,4 metros [8 pies] enrollada en 3 vueltas de unos 25 cm [10 pulg.] de diámetro) para permitir que se pueda despegar el refrigerador de la pared después de la instalación.



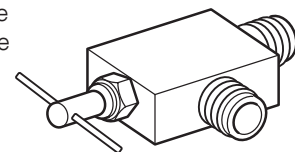
- Taladro eléctrico.
- Llave de ½ pulg. o una llave inglesa.
- Destornilladores de punta plana y de estrella.
- Dos tuercas de compresión con un diámetro exterior de ¼ de pulg. y 2 abrazaderas para unir el tubo de cobre a la válvula de corte y a la válvula de agua del refrigerador.



- Si la tubería de agua de cobre existente tiene una conexión abocinada en el extremo, necesitará un adaptador (disponible en cualquier ferretería) para conectar la tubería de agua al refrigerador O puede cortar la conexión abocinada con un cortatubos y, a continuación, usar una tuerca de unión.



- Una válvula de corte para conectar a la tubería de agua fría. La válvula de corte debería tener una entrada de agua con un diámetro interior mínimo de 5/32 pulg. en el punto de conexión con la TUBERÍA DE AGUA FRÍA. Las válvulas de corte de montura se incluyen en muchos kits de suministros de agua. Antes de comprarla, asegúrese de que la válvula de montura cumple con los códigos locales de fontanería.



NOTA

No se debe usar una válvula de agua de tipo de montura autopercutor.

Instrucciones para la instalación de la tubería de agua

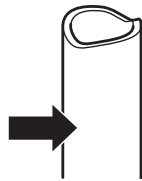
⚠️ ADVERTENCIA

Si usa un dispositivo eléctrico (como un taladro) durante la instalación, asegúrese de que esté alimentado por batería y que tenga doble aislamiento o que esté correctamente conectado a tierra de manera que evite el riesgo de una descarga eléctrica.

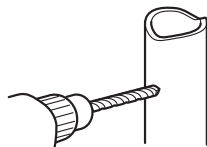
Instale la válvula de corte cerca de la tubería de agua potable que más se usa.

1 CORTE EL SUMINISTRO DE AGUA PRINCIPAL.
Abra el grifo más cercano para liberar la presión de la línea.

2 ELIJA LA UBICACIÓN DE LA VÁLVULA.
Elija una ubicación para la válvula a la que se pueda acceder fácilmente. Es mejor conectarla en el lateral de una tubería de agua vertical. Cuando sea necesario conectarla en una tubería de agua horizontal, realice la conexión en la parte superior o lateral, en lugar de conectarla a la parte inferior, para evitar la acumulación de sedimentos de la tubería de agua.



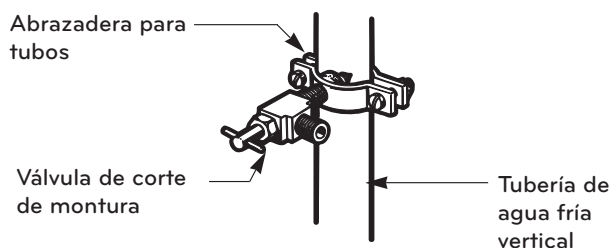
3. TALADRE EL ORIFICIO PARA LA VÁLVULA.
Taladre un orificio de ¼ pulg. en la tubería de agua mediante una punta afilada. Quite todas las rebabas resultantes de taladrar el orificio en la tubería. Tenga cuidado de que no caiga agua en el taladro. Si no se taladra un orificio de ¼ de pulg., podría verse reducida la producción de hielo y el tamaño de los cubitos.



⚠️ NOTA

La tubería de conexión no puede ser una tubería blanca de plástico. Los fontaneros autorizados sólo deben usar tuberías de cobre NDA #49595 o 49599 o tuberías PEX (polietileno reticulado).

4 FIJE LA VÁLVULA DE CORTE.
Fije la válvula de corte a la tubería de agua fría con la abrazadera para tubos.

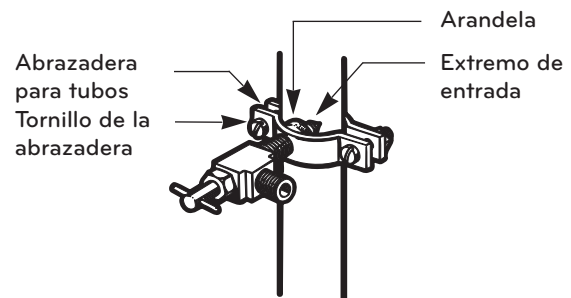


⚠️ NOTA

Se deben cumplir con los Códigos de Fontanería 248CMR del Estado de Massachusetts. Las válvulas de montura son ilegales y no se permite su uso en Massachusetts. Consulte a su fontanero autorizado.

5 APRIETE LA ABRAZADERA PARA TUBOS.
Apriete los tornillos de la abrazadera hasta que la arandela de sellado comience a hincharse.

NOTA: Tenga cuidado de no sobre apretar la abrazadera, ya que podría romper la tubería.



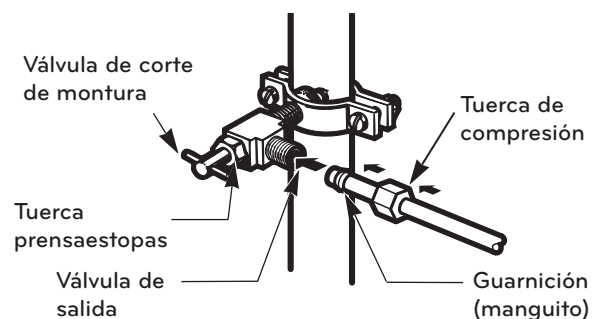
6 ENCAMINE LA TUBERÍA.
Encamine la tubería entre la tubería de agua fría y el refrigerador.

Encamine la tubería a través de un orificio taladrado en la pared o suelo (detrás del refrigerador o junto a la base del aparato) lo más cerca de la pared que sea posible.

⚠️ NOTA

Asegúrese de que haya suficiente tubería adicional (aproximadamente 2,4 metros enrollada en 3 vueltas de unos 25 cm diámetro) para permitir que se pueda despegar el refrigerador de la pared después de la instalación.

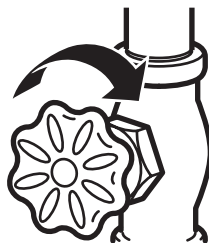
7 CONECTE LA TUBERÍA A LA VÁLVULA.
Coloque la tuerca de compresión y la abrazadera (mango) para la tubería de cobre en el extremo de la tubería y conéctela a la válvula de corte. Asegúrese de que la tubería está completamente insertada en la válvula. Apriete la tuerca de compresión con fuerza.



8 DEJE CORRER AGUA POR LA TUBERÍA.

Active el suministro de agua principal y deje correr el agua por la tubería hasta que salga agua limpia.

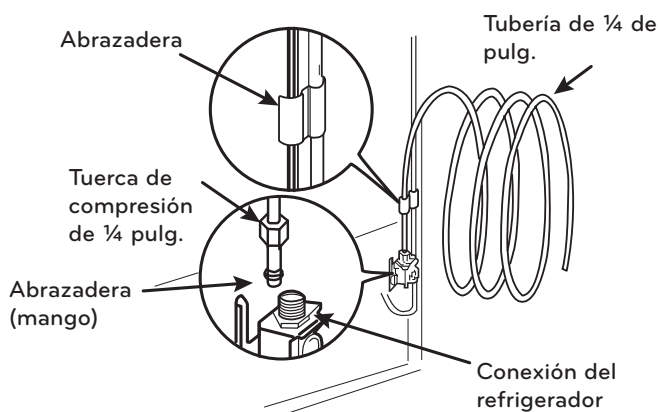
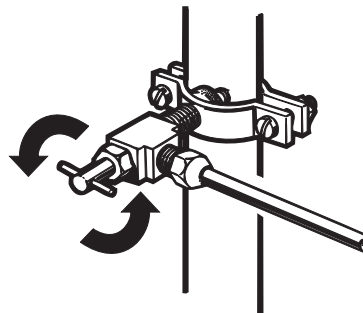
Corte la válvula de agua después de que haya pasado aproximadamente un litro de agua a través de la tubería.



9 CONECTE LA TUBERÍA AL REFRIGERADOR

NOTA: Antes de realizar la conexión al refrigerador, asegúrese de que el cable de alimentación del refrigerador no está enchufado a la toma de corriente.

- Retire la tapa de plástico flexible de la válvula de agua.
- Coloque la tuerca de compresión y la guarnición (mango) en el extremo del tubo tal como se muestra en la imagen.
- Inserte el extremo de la tubería de cobre en la conexión todo lo que pueda. Mientras sujeta la tubería, ajuste el adaptador.

10 ABRA EL PASO DE AGUA EN LA VÁLVULA DE CORTE.
Ajuste las conexiones que goteen.

! PRECAUCIÓN

Compruebe si hay fugas en las conexiones de las tuberías de agua.

11 ENCHUFE EL REFRIGERADOR.

Disponga la bobina de tubería de tal manera que no vibre contra la parte posterior del refrigerador ni contra la pared. Empuje el refrigerador hacia la pared.

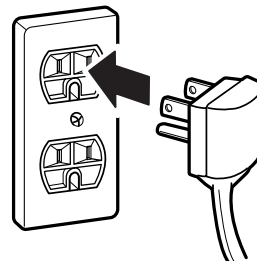
12 ENCIENDA LA MÁQUINA DE HIELO

Ponga el interruptor de alimentación de la máquina de hielo en la posición **ON** (encendido).

La máquina de hielo no comenzará a funcionar hasta que no alcance su temperatura de funcionamiento de -9°C (15°F) o menor. En ese momento, comenzará automáticamente a funcionar si el interruptor de alimentación de la máquina de hielo está en la posición **ON** (encendido).

Encendido

- Enchufe el refrigerador.



! PRECAUCIÓN

- Conecte el electrodoméstico a un tomacorriente certificado.
- Haga que un técnico electricista certificado verifique la toma de corriente y el cableado para una correcta conexión a tierra.
- No dañe ni corte la terminal de conexión a tierra del enchufe.

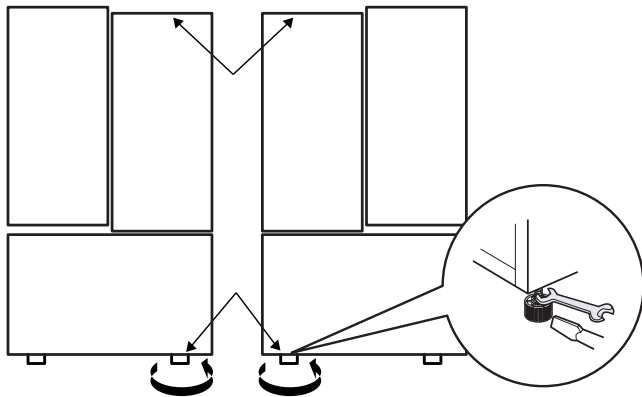
Nivelación y alineación de las puertas

Nivelación

Tras la instalación, enchufe el cable de alimentación del refrigerador en una toma de corriente de 3 patas con conexión a tierra; y empuje el refrigerador hasta la posición deseada.

Su refrigerador tiene dos patas de nivelación delanteras: una a la derecha y otra a la izquierda. Ajuste las patas para modificar la inclinación de delante hacia atrás o de lado a lado. Si el refrigerador parece inestable o si desea que las puertas se cierren más fácilmente, ajuste la inclinación del refrigerador siguiendo las siguientes instrucciones:

- 1 Extraiga la rejilla de la base. Consulte la sección Instalación de la base de la rejilla.
- 2 Gire las patas de nivelación hacia la izquierda para levantar esa parte del refrigerador, o gírelas hacia la derecha para bajarla. Es posible que sean necesarios realizar varios giros de la pata de nivelación para ajustar la inclinación del refrigerador.



! NOTA

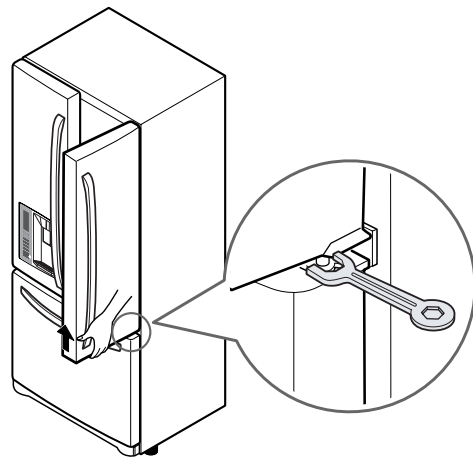
Una llave para tuercas cónicas funcionará mejor, aunque una llave de boca abierta será suficiente. No ajuste demasiado.

- 3 Vuelva a abrir ambas puertas y compruebe si se cierran con facilidad. Si las puertas no cierran fácilmente, incline el refrigerador ligeramente hacia atrás girando ambas patas de nivelación hacia la izquierda. Es posible que sean necesarios varios giros, y debería girar ambos pies de nivelación la misma cantidad de veces.
- 4 Vuelva a colocar la rejilla de la base.

Alineación de las puertas

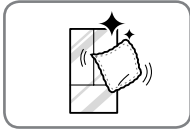
Ambas puertas del refrigerador tienen una tuerca ajustable, ubicada en la bisagra inferior, que pueden levantarse y bajarse para alinearlas correctamente. Si el espacio entre las puertas no es parejo, siga estas instrucciones para alinear las puertas de manera uniforme:

Use la llave (incluida con el Manual del Propietario) para girar la tuerca que se encuentra en la bisagra de la puerta para ajustar la altura. Gírela hacia la izquierda para levantar la altura, o hacia la derecha para bajarla.



INSTRUCCIONES DE USO

Antes de usar



Limpie el refrigerador.

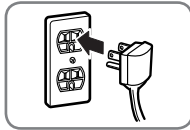
Limpie el refrigerador a fondo y quite todo el polvo acumulado durante el transporte.

⚠ PRECAUCIÓN

- No raye el refrigerador con ningún objeto filoso, tampoco utilice detergentes que contengan alcohol, líquidos inflamables, ni abrasivos para sacar cualquier cinta o adhesivo del refrigerador.
- No saque la etiqueta del modelo o número de serie, ni la etiqueta que contiene la información técnica, ubicadas en la superficie trasera del refrigerador.

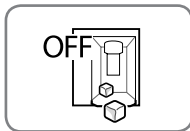
! NOTA

Remueva todo residuo adhesivo utilizando su dedo pulgar o un detergente lavavajillas.



Conexión del suministro eléctrico

Verifique si el suministro eléctrico está conectado antes de usar el electrodoméstico. Lea la sección "Encendido".



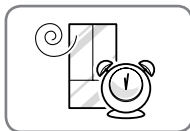
Apague la máquina de hielo si el refrigerador aún no ha sido conectado al suministro de agua.

Apague la máquina de hielo automática, y luego conecte el enchufe del refrigerador a un tomacorriente eléctrico con conexión a tierra.

* Esto sólo se aplica a determinados modelos.

⚠ PRECAUCIÓN

Hacer funcionar la máquina de hielo automática antes de conectarla al suministro de agua podría ocasionar el mal funcionamiento del refrigerador.

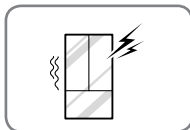


Espere a que el refrigerador se enfríe.

Deje el refrigerador encendido durante al menos dos o tres horas antes de almacenar comida dentro del mismo. Compruebe el flujo de aire frío en el compartimiento del congelador para asegurarse de que la refrigeración sea la adecuada.

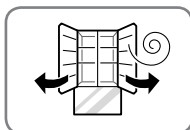
⚠ PRECAUCIÓN

Colocar comida en el refrigerador antes de que el mismo se haya enfriado puede provocar que la misma se pudra, que emane mal olor y que este olor permanezca en el refrigerador.



El refrigerador producirá un ruido fuerte luego de puesta en funcionamiento inicial.

Esto es normal. El volumen bajará a medida que baje la temperatura.

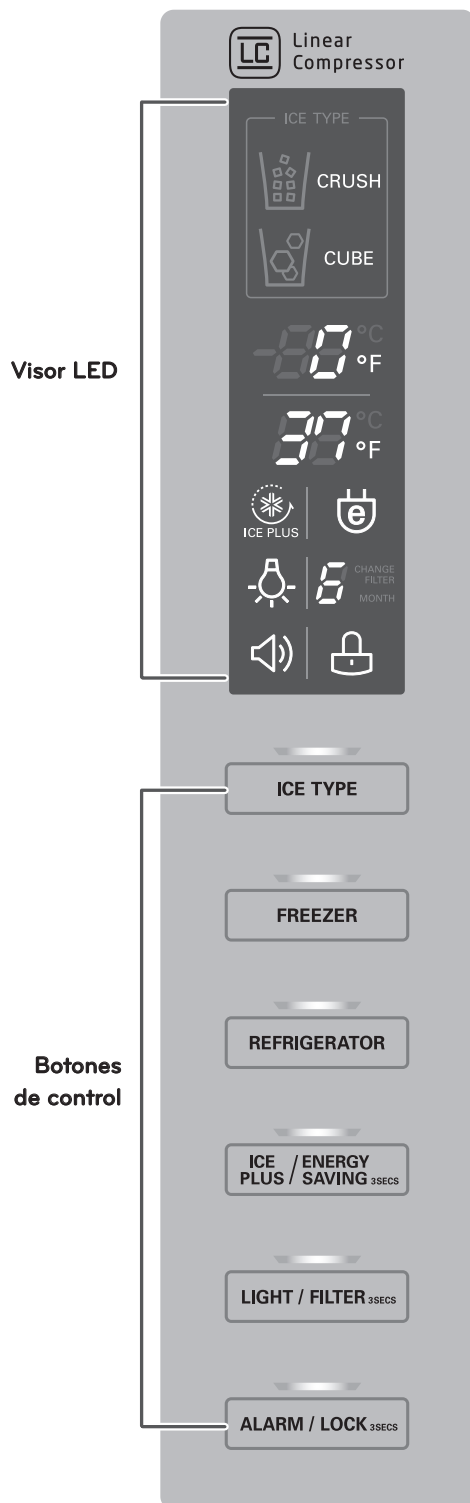


Abra las puertas del refrigerador y los cajones del congelador para ventilar el interior.

El interior del refrigerador puede oler a plástico al principio. Remueva toda cinta adhesiva que se encuentre en el interior del refrigerador, y abra las puertas del refrigerador y los cajones del congelador para ventilar.

Panel de control

* Dependiendo del modelo, algunas de las siguientes funciones podrán no estar disponibles.



Funciones del panel de control

La pantalla LED muestra los ajustes de temperatura, opciones del dispensador, filtro de agua, alarma de la puerta, y mensajes del estado de bloqueo.

Tipo de hielo  
CUBE CRUSH

Presione el botón ICE TYPE (Tipo de hielo) para seleccionar el tipo de hielo, picado o en cubos. La opción seleccionada se iluminará en la pantalla LED.

Congelador 

Presione el botón FREEZER (congelador) para ajustar la temperatura del compartimiento del congelador.

! NOTA

Para cambiar la pantalla de grados Fahrenheit a Celsius, mantenga presionado los botones FREEZER (congelador) y REFRIGERATOR (refrigerador) durante cinco segundos.


Refrigerador 

Presione el botón REFRIGERATOR (refrigerador) para ajustar la temperatura del compartimiento del refrigerador.

Función ICE PLUS 
ICE PLUS

Esta función aumenta tanto las capacidades de congelación como las de fabricación de hielo.

- Cuando se oprime el botón **Ice Plus**, se iluminará el gráfico en la pantalla y continuará encendido durante 24 horas. Esta función se apagará automáticamente pasadas las 24 horas.
- Para detener esta función manualmente, vuelva a tocar el botón una vez más.

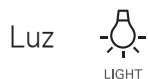
Ahorro de energía 

La función **Energy Saving** (Ahorro de energía) desactiva el calentador del panel ubicado en la puerta del refrigerador a fin de ahorrar electricidad. Mantenga presionado el botón Energy Saving (Ahorro de energía) durante tres segundos para activar o desactivar esta función.

! NOTA

Interrumpa el uso de la función Energy Saving (Ahorro de energía) si comienza a acumularse una cantidad excesiva de humedad en el panel de la puerta.

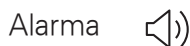
Funciones del panel de control (continuación)



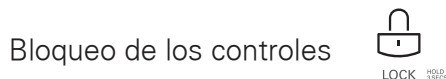
Presione el botón LIGHT para encender la luz del dispensador. El indicador se iluminará en la pantalla LED.



Cuando se enciende el indicador del filtro de agua, es necesario cambiar el filtro de agua. Una vez cambiado el filtro de agua, mantenga pulsado el botón FILTER durante tres segundos para apagar la luz del indicador. El filtro de agua se debe cambiar aproximadamente cada seis meses.



- Cuando se conecta el refrigerador a la corriente, la alarma de la puerta está inicialmente activada. Cuando presiona el botón ALARM (alarma), la pantalla cambiará a OFF (apagado) y la función Alarm se desactivará.
- Si la puerta del refrigerador o del congelador permanece abierta durante más de 60 segundos, sonará el tono de la alarma para avisarle que la puerta está abierta.
- Cuando se cierre la puerta, la alarma de la puerta dejará de sonar.



La función Control Lock desactiva cada uno de los botones de la pantalla.

- Cuando se conecta inicialmente el refrigerador a la corriente eléctrica, la función de bloqueo Lock está desactivada.
- Si desea activar la función Lock para bloquear otros botones, mantenga pulsado el botón Lock durante tres segundos como mínimo. Se mostrará el ícono Lock y la función Lock está ahora activada.
- Para desactivar la función Lock (bloquear), mantenga presionado el botón Lock durante aproximadamente tres segundos.

PRECAUCIÓN

Modo exposición (sólo para uso en tienda)

El Display Mode (modo exposición) desactiva toda la refrigeración en las secciones refrigerador y congelador para ahorrar energía mientras el electrodoméstico está en exposición en una tienda. Cuando se activa, OFF (apagado) aparece en el panel de control.

Para desactivar:

Con la puerta del refrigerador abierta, mantenga presionados los botones Refrigerator y Ice Plus al mismo tiempo durante cinco segundos. El panel de control emitirá un pitido y aparecerán en pantalla los ajustes de temperatura para confirmar que se ha desactivado el Display Mode (modo exposición). Realice el mismo procedimiento para activar el Display Mode (modo exposición).

Uso del depósito de hielo del interior de la puerta

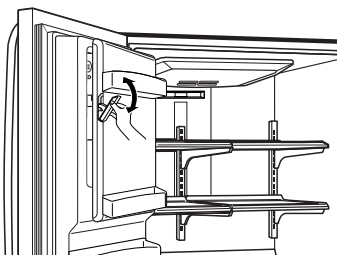
* Dependiendo del modelo, algunas de las siguientes funciones podrán no estar disponibles.

! PRECAUCIÓN

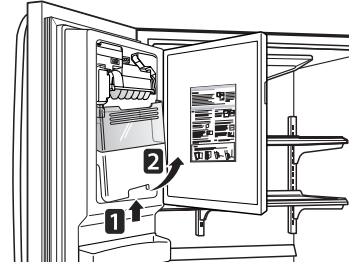
- Mantenga sus manos y herramientas alejadas del compartimiento de hielo de la puerta y del conducto del dispensador. No hacerlo podría ocasionar daños o lesiones personales.
- La máquina de hielo dejará de fabricar hielo cuando el depósito de hielo del interior de la puerta esté lleno. Si necesita más hielo, vacíe el depósito de hielo en el depósito de hielo adicional ubicado en el compartimiento del congelador. Durante el uso, el hielo puede caer de forma irregular lo que puede provocar una lectura errónea del nivel de cubitos de hielo y detener la elaboración de cubitos. Agitar el depósito de hielo para nivelar los cubitos que contiene puede reducir este problema.
- Almacenar latas u otros elementos en el depósito de hielo podría dañar la máquina de hielo.
- Mantenga la puerta del compartimiento de hielo herméticamente cerrada. Si no se cierra herméticamente, el aire frío del depósito de hielo congelará los alimentos del compartimiento del refrigerador. Esto también podría provocar que la máquina deje de fabricar hielo.
- Si el interruptor ON/OFF de la máquina de hielo está en posición OFF (apagado) durante un largo período de tiempo, el compartimiento de hielo se calentará gradualmente hasta alcanzar a temperatura del compartimiento del refrigerador. Para evitar que los cubitos de hielo se derritan y pierda agua del dispensador, SIEMPRE vacíe el depósito de hielo cuando la máquina de hielo vaya a estar desactivada por varias horas.

Desmontaje del depósito de hielo del interior de la puerta

- 1 Tire con cuidado de la manija de la puerta para abrir el compartimiento de hielo.

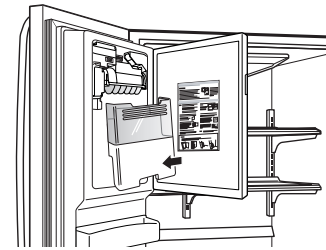


- 2 Para extraer el depósito de hielo del interior de la puerta, agarre la manija delantera, levante ligeramente la parte inferior y despegue el depósito tal como se muestra en la imagen.

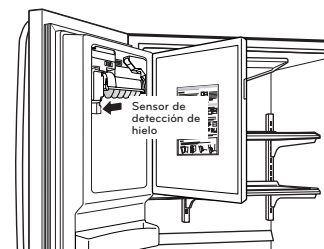


Montaje del depósito de hielo del interior de la puerta

- 1 Inserte con cuidado el dispositivo de hielo del interior de la puerta mientras lo inclina ligeramente para evitar el contacto con la máquina de hielo.



- 2 Evite tocar el sensor de detección de hielo cuando vuelva a colocar el depósito de hielo en su lugar. Consulte la etiqueta que se encuentra en la puerta del compartimiento de hielo para obtener información más detallada.



! PRECAUCIÓN

Mientras manipule el depósito de hielo, mantenga las manos lejos del área de la bandeja de la máquina de hielo para evitar lesiones personales.

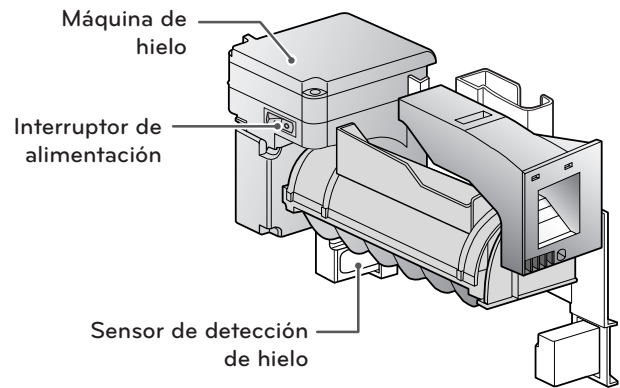


Máquina de hielo automática

* Dependiendo del modelo, algunas de las siguientes funciones podrán no estar disponibles.

El hielo se fabrica en la máquina de hielo automática y se envía al dispensador. La máquina de hielo puede fabricar 10 cubitos por cada ciclo (aproximadamente 100 cubitos en un período de 24 horas), en función de la temperatura del compartimiento del congelador, la temperatura ambiente, el número de puertas abiertas y otras condiciones de funcionamiento.

- Un refrigerador recién instalado demorará entre 12 y 24 horas hasta empezar a fabricar hielo. Espere 72 horas para que comience la fabricación de hielo.
- La fabricación de hielo se detiene cuando se llena el depósito de hielo del interior de la puerta. En ese caso, el depósito de hielo contiene aproximadamente de 6 a 8 (12-16 oz) vasos de hielo.
- La presión del agua debe estar entre los 20 y los 125 psi en los modelos sin filtro de agua, y entre los 40 y 125 psi en los modelos con filtro de agua, para fabricar cubitos de hielo en la cantidad y tamaño normales.
- La presencia de sustancias extrañas o de escarcha en el sensor de detección de hielo pueden interrumpir la fabricación de hielo. Asegúrese de que el área del sensor esté siempre limpia para que el funcionamiento sea correcto.



Encendido y apagado de la máquina de hielo automática

Para apagar la máquina de hielo automática, ajuste el interruptor de la máquina en posición **OFF (apagado)**. Para encender la máquina de hielo automática, ponga el interruptor en posición **ON (encendido)**.

Máquina De Hielo Automática (continuación)

PRECAUCIÓN

- La primera tanda de hielo y agua dispensada podría incluir partículas y olor procedente de la tubería de suministro de agua o del depósito de agua.
- Deseche las primeras tandas de hielo (aproximadamente 24 cubitos). Esto también es necesario si el refrigerador no se usa durante un largo período de tiempo.
- Nunca almacene latas de bebidas u otros artículos en el depósito de hielo con el propósito de que se enfríen rápidamente. Si lo hace, podría dañar la máquina de hielo o los contenedores podrían estallar.
- Si se dispensa hielo decolorado, compruebe el filtro y el suministro de agua. Si el problema persiste, póngase en contacto con Sears u otro centro de servicio técnico calificado. No consuma el hielo ni el agua hasta que se resuelva el problema.
- No permita que los niños utilicen el dispensador. Los niños podrían jugar con los controles y romperlos.
- Si sólo se usa hielo picado, el conducto del hielo podría quedar bloqueado con escarcha. Para retirar la escarcha acumulada, desmonte el depósito de hielo y libere el conducto con una espátula de goma. La dispensación de hielo en cubitos también ayuda a evitar la formación de escarcha.
- Nunca use vasos de cristal fino o recipientes de loza para recoger hielo. Ese tipo de contenedores podrían descascarillarse o romperse, y podrían caer fragmentos de cristal al hielo.
- Dispense hielo en el vaso antes de rellenarlo con agua u otras bebidas. Si se dispensa hielo en un vaso que ya contiene líquido, pueden producirse salpicaduras.
- Nunca use vasos que sean excesivamente estrechos o profundos. El hielo podría atascarse en el conducto de hielo y el rendimiento del refrigerador podría verse afectado.
- Mantenga el vaso a una distancia adecuada de la salida del hielo. Si sostiene el vaso demasiado cerca de la salida, puede impedir que se dispense el hielo.
- Para evitar lesiones personales, mantenga las manos alejadas de la puerta y del conducto del hielo.
- Nunca retire la tapa del dispensador.
- Si se dispensa hielo o agua de manera inesperada, corte el suministro de agua y póngase en contacto con un centro de servicio técnico calificado.

Cuándo Debería Ajustar La Máquina De Hielo Interruptor De Alimentación En Posición Off (apagado)

- Cuando el suministro de agua vaya a ser interrumpido durante varias horas.
- Cuando se retire el depósito de hielo durante más de uno o dos minutos.
- Cuando no se vaya a usar el refrigerador durante varios días.

NOTA

Se debe vaciar el depósito de hielo cuando el interruptor de encendido/apagado de la máquina de hielo se cambie a la posición **OFF** (apagado).

Sonidos Normales Que Se Pueden Escuchar

- La válvula de agua de la máquina de hielo emite un zumbido cuando la máquina se llena de agua. Si el interruptor de alimentación está en posición ON (encendido), emitirá un zumbido incluso aunque aún no se haya conectado al agua. Para detener el zumbido, mueva el interruptor de alimentación a la posición OFF (apagado).

NOTA

Mantener el interruptor de alimentación en posición ON (encendido) antes de conectar la tubería de agua podría dañar la máquina de hielo.

- Oír el sonido de los cubitos de hielo caer en el depósito y el agua correr por las tuberías cuando se rellena la máquina de hielo.

Preparándose Para Las Vacaciones

Ponga el interruptor de la máquina de hielo en posición OFF (apagado) y corte el suministro de agua al refrigerador.

NOTA

Se debe vaciar el depósito de hielo cuando el interruptor de encendido/apagado de la máquina de hielo se cambie a la posición OFF (apagado).

Si la temperatura ambiente cae por debajo del punto de congelación, póngase en contacto con un técnico calificado para que purgue el sistema de suministro de agua a fin de evitar graves daños materiales debidos a las inundaciones provocadas por la rotura de las tuberías o conexiones de agua.

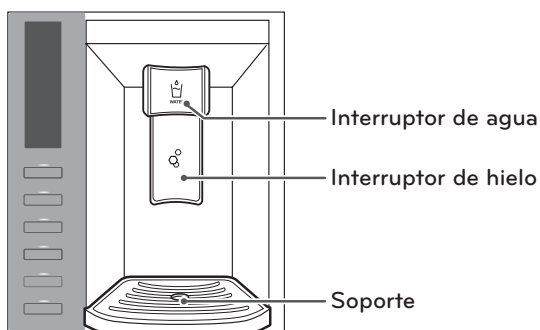
Dispensador de hielo y agua

* Dependiendo del modelo, algunas de las siguientes funciones podrían no estar disponibles.

! PRECAUCIÓN

No permita que los niños utilicen el dispensador. Los niños podrían jugar con los controles y romperlos.

Estructura del dispensador

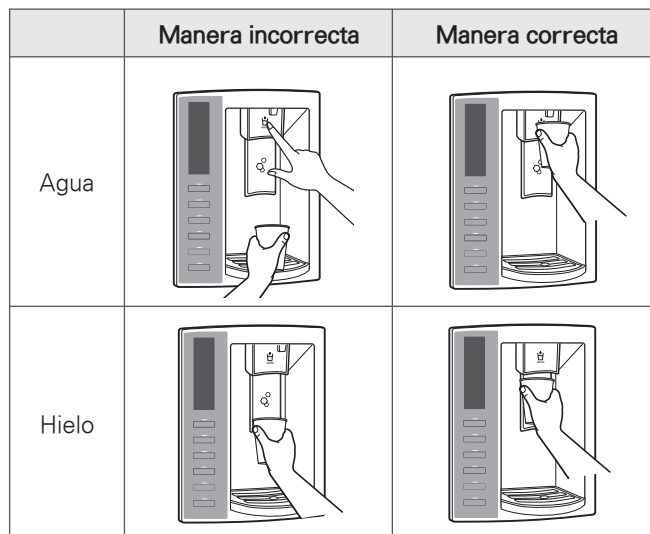


Uso del dispensador

- Para dispensar agua fría, empuje el interruptor del dispensador con un vaso.
- Para dispensar hielo, empuje el interruptor de hielo con un vaso.

! NOTA

- Si se dispensa hielo decolorado, compruebe el filtro y el suministro de agua. Si el problema persiste, póngase en contacto con un servicio técnico cualificado. No consuma el hielo ni el agua hasta que se resuelva el problema.
- El dispensador no funcionará cuando cualquiera de las puertas del refrigerador esté abierta.
- Si desea dispensar agua o hielo en un envase con una apertura pequeña, colóquelo lo más cerca posible del dispensador.
- Es posible que tras la dispensación se produzca un goteo. Mantenga el vaso bajo el dispensador durante unos segundos tras la dispensación para recoger todas las gotas.



! PRECAUCIÓN

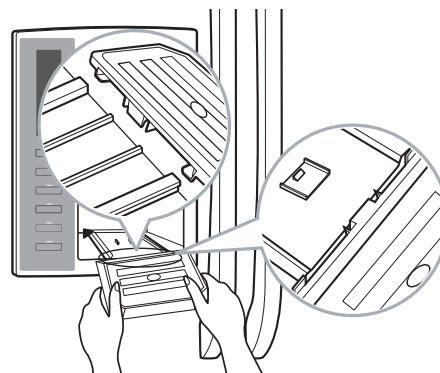
Deseche las primeras tandas de hielo (aproximadamente 24 cubitos). Esto también es necesario si el refrigerador no se usa durante un largo período de tiempo.

Bloqueo del dispensador

Mantenga presionados simultáneamente los botones Alarm y Lock durante 3 segundos para bloquear el dispensador y todas las funciones del panel de control. Siga las mismas instrucciones para desbloquear.

Limpieza del soporte del dispensador

- 1 Agarre el soporte con las dos manos y tire hacia afuera.

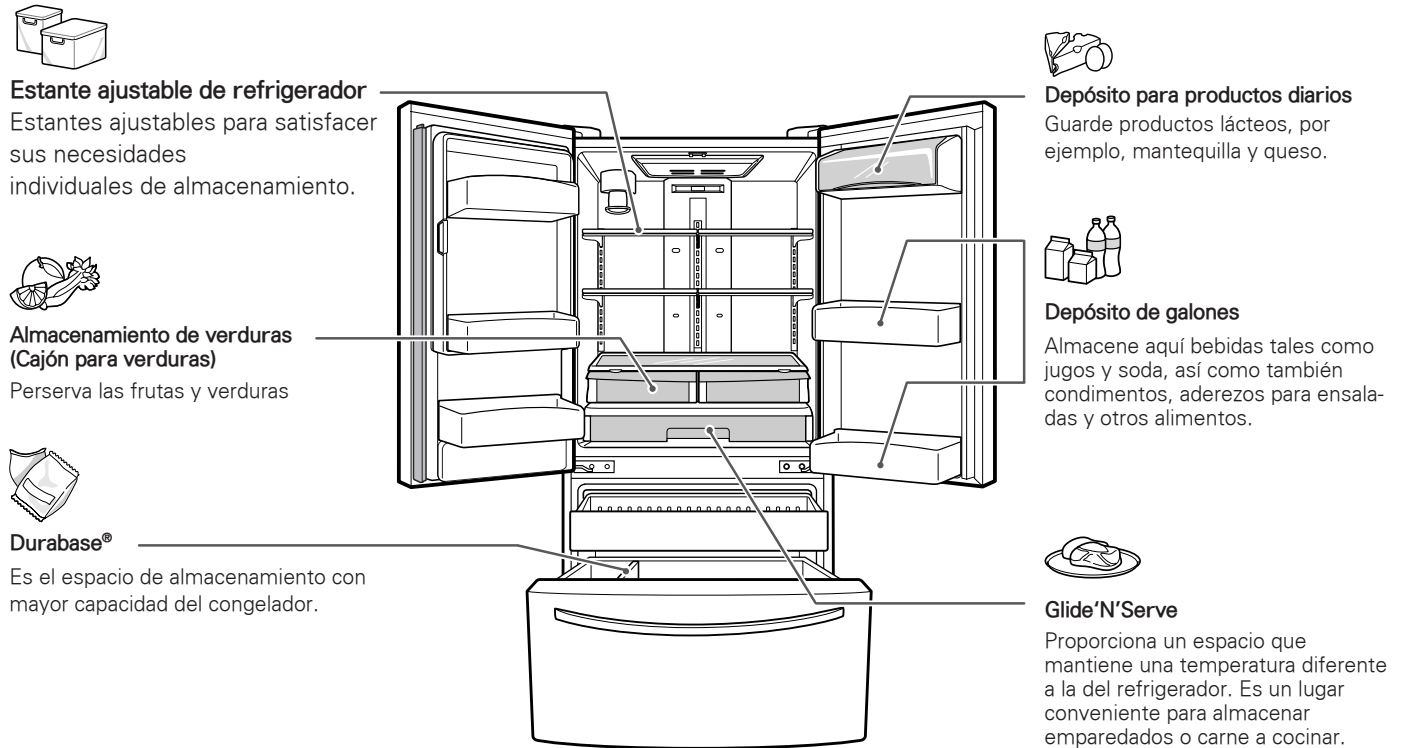


- 2 Limpie las áreas sucias con un trapo limpio.

ALMACENAMIENTO DE ALIMENTOS

Lugar de conservación de los alimentos

Cada compartimento en el interior del refrigerador está diseñado para almacenar diferentes tipos de alimentos. Almacene sus alimentos en un espacio óptimo para disfrutar la máxima frescura del sabor.



Estante ajustable de refrigerador
Estantes ajustables para satisfacer sus necesidades individuales de almacenamiento.



Almacenamiento de verduras (Cajón para verduras)
Perserva las frutas y verduras



Durabase®
Es el espacio de almacenamiento con mayor capacidad del congelador.



Depósito para productos diarios
Guarde productos lácteos, por ejemplo, mantequilla y queso.



Depósito de galones
Almacene aquí bebidas tales como jugos y soda, así como también condimentos, aderezos para ensaladas y otros alimentos.



Glide 'N' Serve
Proporciona un espacio que mantiene una temperatura diferente a la del refrigerador. Es un lugar conveniente para almacenar emparedados o carne a cocinar.

! PRECAUCIÓN

- No almacene alimentos con alto contenido de humedad en la parte superior del refrigerador. La humedad podría entrar en contacto directo con el aire frío y congelarse.
- Lave los alimentos antes de guardarlos en el refrigerador. Se deben lavar los vegetales y frutas, y los envases de los alimentos deben limpiarse para evitar que los alimentos cercanos se contaminen.
- Si el refrigerador se encuentra en un lugar húmedo y de mucho calor, abrir la puerta constantemente o almacenar muchos vegetales en el refrigerador puede dar lugar a condensación. Limpie la condensación con un paño limpio o una toalla de papel.
- Si se abre continuamente la puerta del refrigerador o el cajón del congelador, el aire caliente puede entrar en el refrigerador y subir su temperatura. Puede también aumentar los gastos de electricidad.

! NOTA

- Si va a abandonar su hogar por un período corto de tiempo, como ser unas pequeñas vacaciones, el refrigerador debe quedar encendido. Los alimentos refrigerados que se pueden congelar se preservarán por más tiempo si se almacenan en el congelador.
- Si va a dejar el refrigerador apagado durante un período de tiempo prolongado, retire todos los alimentos y desenchufe el cable de alimentación. Limpie el interior, y deje la puerta abierta para evitar la aparición de hongos en el refrigerador.

Sugerencias para el almacenamiento de alimentos

* Dependiendo del modelo, las siguientes sugerencias podrían no ser aplicables.

Envuelva o almacene los alimentos en el refrigerador dentro de materiales herméticos y antihumedad, a menos que se indique lo contrario. Esto evitará que el olor y sabor de los alimentos se transfiera por todo el refrigerador. Para productos con fecha de caducidad, compruebe el código de fecha para garantizar la frescura.

Comida	Cómo
Mantequilla o margarina	Conserve la mantequilla abierta en un plato cubierto o en un compartimiento cerrado. Cuando se almacena una cantidad extra, envuélvala en una bolsa para congelar y congélela.
Queso	Almacene en el envoltorio original hasta que esté listo para consumirlo. Una vez abierto, vuelva a envolverlo herméticamente en un envoltorio plástico o en papel de aluminio.
Leche	Limpie los cartones de leche. Para un mejor almacenamiento, coloque la leche en los estantes interiores y no en los estantes de la puerta.
Huevos	Almacénelos en el cartón original en un estante interior, no en un estante de la puerta.
Fruta	No lave ni pele la fruta hasta que esté lista para ser utilizada. Organice y mantenga la fruta en su contenedor original, en el cajón para la verdura, o almacénela en una bolsa de papel completamente cerrada en un estante del refrigerador.
Verdura Vegetales	Retire el envoltorio comercial y corte o arranque las zonas magulladas o decoloradas. Lave en agua fría y deje escurrir. Colóquela en una bolsa o un contenedor de plástico, y almacénela en el cajón para verduras.
Vegetales con piel (zanahorias, pimientos)	Colóquelos en una bolsa o un contenedor de plástico, y almacénelos en el cajón para verduras.
Pescado	Almacene el pescado y los mariscos en el congelador si estos no van a ser consumidos el mismo día de haberlos adquirido. Se recomienda consumir pescado y mariscos frescos el mismo día de su compra.
Sobras	Cubra las sobras con un envoltorio plástico, papel de aluminio o dentro de contenedores de plástico con tapas herméticas.

Almacenamiento De Alimentos Congelados

! NOTA

Consulte una guía de congelación o un libro de cocina fiable para obtener más información sobre la forma de preparar los alimentos para su congelación o sobre los tiempos de almacenamiento de los alimentos congelados.

Congelación

El congelador no congelará rápidamente una gran cantidad de alimentos. No coloque más alimentos sin congelar en el congelador que los que se congelarán en 24 horas (no más de 1 o 1,5 kg de alimento por cada 30 litros de espacio en el congelador). Deje suficiente espacio en el congelador para que el aire pueda circular entre los paquetes. Tenga cuidado de dejar suficiente espacio en la parte delantera para que se pueda cerrar la puerta herméticamente.

Los tiempos de almacenamiento variarán en función de la calidad y el tipo de alimento, el tipo de envase o envoltorio utilizado (si son herméticos y antihumedad) y la temperatura de almacenamiento. La aparición de cristales de hielo dentro de un paquete sellado es normal. Esto sólo significa que la humedad del alimento y del aire del interior del paquete se ha condensado, creando cristales de hielo.

! NOTA

Deje que los alimentos calientes se enfríen a temperatura ambiente durante 30 minutos y, a continuación, empáquelos y congélelos. Enfriar alimentos calientes antes de congelarlos ahorra energía.

Empaquetamiento

Una congelación correcta depende de un empaquetamiento a-decuado. Cuando se cierra y sella el paquete, no debe dejar que entre ni salga aire ni humedad. Si eso sucede, es posible que el olor y el sabor de los alimentos se transfieran por todo el refrigerador y también se podrán resecar los alimentos congelados.

Recomendaciones de empaquetamiento:

- Contenedores de plástico rígido con tapas herméticas
- Tarros de congelación / enlatado con lados rectos
- Papel de aluminio grueso
- Papel con revestimiento plástico
- Envoltorios plásticos no permeables
- Bolsas de plástico con auto sellado y calidad específica apta para congelador

Siga las instrucciones del contenedor o paquete para unos métodos de congelación adecuados.

No usar

- Envoltorios de pan
- Contenedores de plástico que no sean de polietileno
- Contenedores sin tapas herméticas
- Papel de cera o envoltorio para congelador revestidos de cera
- Envoltorio fino y semipermeable

Cajón para verduras con control de humedad y Glide'N'Serve

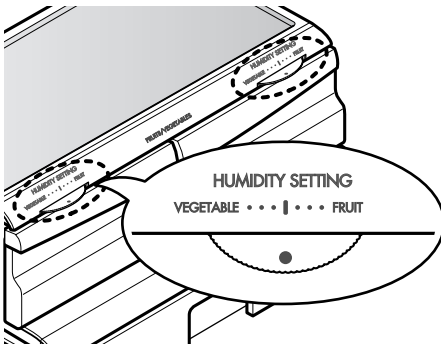
Cajón para verduras con control de humedad

* Dependiendo del modelo, algunas de las siguientes funciones podrán no estar disponibles.

Los cajones para verduras mantienen el sabor y la frescura de la fruta y la verdura al permitir controlar fácilmente la humedad dentro del cajón.

Para controlar el nivel de humedad en los cajones para verduras con sellado antihumedad, ajuste el control en cualquier posición entre HIGH (alto) y LOW (bajo).

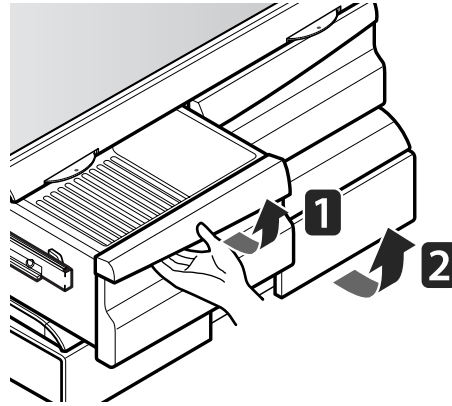
- HIGH (alto) mantiene el aire húmedo en el cajón para un mejor almacenamiento de las verduras frescas de hoja.
- LOW (bajo) mantiene el aire húmedo fuera del cajón para un mejor almacenamiento de la fruta.



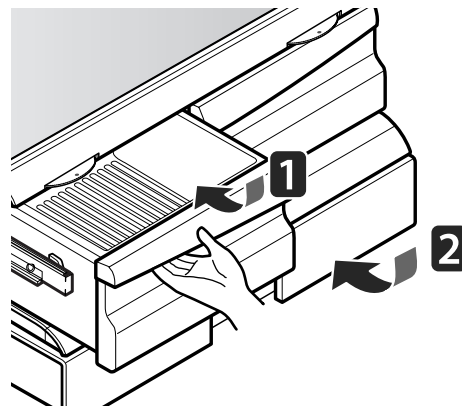
Montaje y desmontaje de las bandejas de almacenamiento

Glide'N'Serve y Cajón para verduras con control de humedad

Para retirar el cajón para verduras con control de humedad y el cajón deslizante Glide'N'tire hacia afuera el cajón para verduras **1** y el Glide'N'Serve **2** lo más posible, levante el frente, y tire hacia afuera.



Para instalarlo, incline la parte delantera ligeramente hacia arriba, inserte el cajón en el marco y empuje hasta que encaje en su sitio.



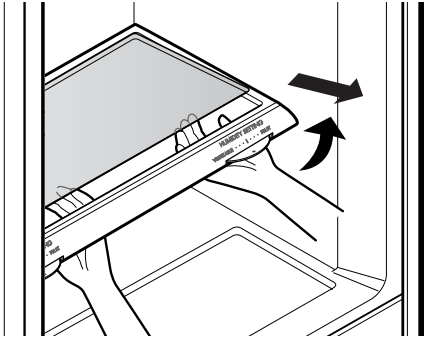
! NOTA

Contenedores Strage pueden variar de aspecto, según el modelo.

Para retirar el vidrio

(Para mayor claridad, no se muestra el cajón)

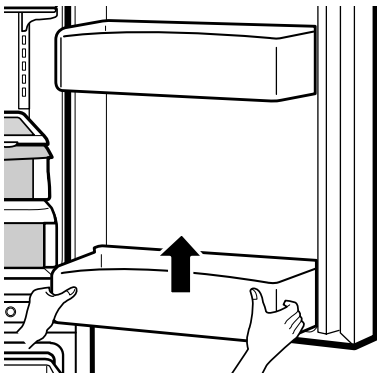
Levante el vidrio debajo del cajón para verduras y tire hacia arriba y hacia afuera.



Bandejas de las puertas

Las bandejas de la puerta son extraíbles para facilitar su limpieza y ajuste.

- 1 Para extraer la bandeja, simplemente levántela hacia arriba y tire de ella hacia fuera.
- 2 Para volver a colocar la bandeja, deslícela por encima del soporte deseado y empuje hacia abajo hasta que encaje en su sitio.



! NOTA

Algunas bandejas tienen una apariencia diferente y sólo encajarán en una ubicación.

! PRECAUCIÓN

- No aplique demasiada fuerza mientras monta o desmonta las bandejas de almacenamiento.
- No utilice el lavavajillas de platos para limpiar las bandejas de almacenamiento y los estantes.
- Desmonte y lave las bandejas de almacenamiento y los estantes con regularidad, ya que pueden contaminarse fácilmente por los alimentos.

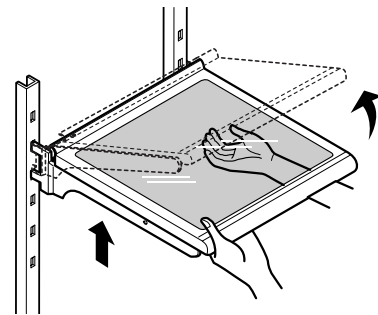
Ajuste de los estantes del refrigerador

Los estantes del refrigerador son ajustables para satisfacer sus necesidades personales de almacenamiento. En función del modelo, los estantes pueden ser de vidrio o de rejilla metálica.

Organizar los estantes para que se ajusten a las diferentes alturas de los artículos hará que le resulte más fácil encontrar lo que busca en el refrigerador. Con ello también reducirá el tiempo que permanece la puerta del refrigerador abierta y ahorrará energía.

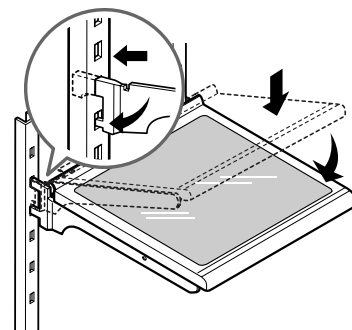
Desmontaje del estante

Incline la parte delantera del estante y levántelo. Saque el estante.



Montaje del estante

Incline la parte delantera del estante hacia arriba y guíe los ganchos del estante hacia el interior de las ranuras a la altura deseada. Luego, baje la parte delantera del estante de manera que los ganchos encajen en las ranuras.



! PRECAUCIÓN

Asegúrese de que los estantes tengan ambos lados nivelados. De lo contrario, el estante podría caerse o los alimentos derramarse.

MANTENIMIENTO

Limpieza

- Tanto las secciones refrigerador como congelador se descongelan de forma automática; sin embargo, se recomienda limpiar ambas secciones una vez al mes para evitar la aparición de olores.
- Seque los derrames inmediatamente.
- Desenchufe siempre el refrigerador antes de limpiar.

Sugerencias generales de limpieza

- Desenchufe el refrigerador o desconecte la alimentación.
- Retire todos los componentes extraíbles, como estantes, cajones, etc.
- Use una esponja limpia o un trapo suave, junto con un detergente suave en agua templada. No utilice limpiadores abrasivos o muy fuertes.
- Lave a mano, aclare y seque todas las superficies a fondo.

Exterior

El encerado de las superficies metálicas pintadas externas proporciona una protección contra el óxido. No encere las piezas de plástico. Encere las superficies metálicas pintadas al menos dos veces al año con cera para electrodomésticos (o cera en pasta para coches). Aplique la cera con un trapo suave y limpio.

Para productos con un exterior en acero inoxidable, use una esponja limpia o un trapo suave, junto con un detergente suave en agua templada. No utilice limpiadores abrasivos o muy fuertes. Seque a fondo con un trapo suave.



PRECAUCIÓN

- No utilice ningún paño áspero o esponja para limpiar el interior y exterior del refrigerador.
- No coloque la mano sobre la superficie inferior del refrigerador al abrir y cerrar.



ADVERTENCIA

Use un limpiador no inflamable. No hacerlo podría producir una explosión, incendio o aún la muerte.

Paredes interiores (deje que el congelador pierda el frío para que el trapo no se quede pegado)

Para ayudarle a eliminar los olores, puede lavar el interior del refrigerador con una mezcla de bicarbonato sódico y agua templada. Mezcle 2 cucharadas soperas de bicarbonato sódico (unos 26 g) en 1 litro de agua. Asegúrese de que el bicarbonato sódico esté completamente disuelto para que no raye las superficies del refrigerador.

Revestimiento de las puertas y juntas

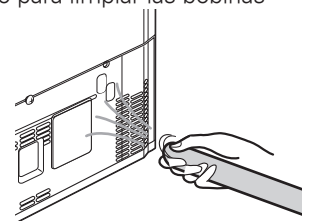
Use una esponja limpia o un trapo suave, junto con un detergente suave en agua templada. No utilice ceras de limpieza, detergentes concentrados, lejías ni limpiadores que contengan petróleo en las piezas del refrigerador que son de plástico.

Piezas de plástico (tapas y paneles)

Use una esponja limpia o un trapo suave, junto con un detergente suave en agua templada. No utilice sprays para ventanas, limpiadores abrasivos ni líquidos inflamables. Estos pueden rayar o dañar el material.

Bobinas del condensador

Use un aspirador con un accesorio para limpiar las bobinas del condensador y las rejillas de ventilación. No retire el panel que cubre el área de las bobinas del condensador.



Reemplazo del filtro de agua

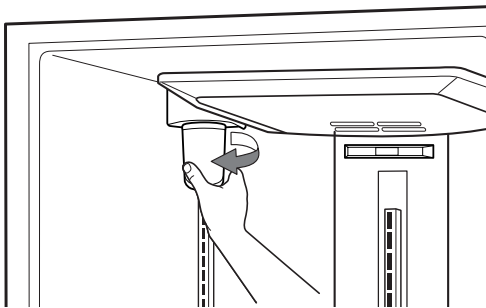
Se recomienda que sustituya el filtro cuando el indicador del filtro del agua se encienda o disminuya perceptiblemente la producción n en el dispensador de agua o en la máquina de hielo.

! NOTA

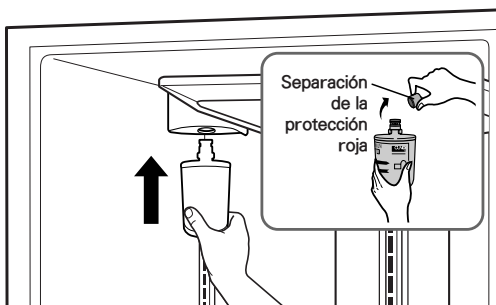
- Conexión de bypas de filtro
Guarde el tapón del bypas del filtro.
Cuando no pueda conseguir un cartucho de recambio deberá utilizar el tapón del bypas. La cubitera no funcionará sin el filtro o sin el tapón del bypas insertado en el compartimento adecuado.

- 1 Gire lentamente el cartucho viejo a la izquierda. Cuando se haya liberado el cartucho, escuchará un "clic".

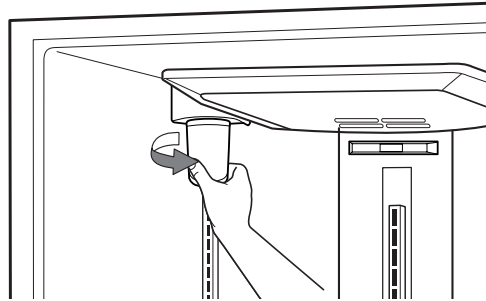
NOTA: Cuando se cambia el filtro, se pierde una pequeña cantidad de agua (alrededor de 1 oz o 25 cc).



- 2 Quite el cartucho usado. Extraiga el nuevo cartucho de su envoltorio y retire la protección roja. Alinee las orejas del cartucho de manera que se pueda insertar en la cabeza del filtro.



- 3 Gire el cartucho a la derecha aproximadamente 1/4 de vuelta. Sentirá una parada y el símbolo bloqueado deberá quedar alineado de nuevo con la línea del indicador.



Después de sustituir el filtro, deje que circulen por el filtro unos 9,5 litros antes de su uso (unos 5 minutos de circulación). Revise posibles fugas que pueda haber en el filtro.



Tras cambiar el filtro, pulse y mantenga pulsado el botón FILTER durante 3 segundos para apagar la luz del indicador.

! PRECAUCIÓN

NO ponga en marcha el refrigerador sin un filtro de agua o sin un tapón de derivación del filtro instalado.

! NOTA

- Para comprar un filtro de agua de repuesto:
Visite a su vendedor o distribuidor local
- Sitio web: Encuentre piezas y accesorios en la sección de Soporte de lg.com
- Llame al : 1-800-243-0000 (EE.UU.)
1-888-542-2623 (Canadá)
- Número de pieza del filtro de agua de repuesto:
5231JA2002A

Hoja de datos de rendimiento:

Número de modelo 5231JA2002A-S

Utilizar con cartucho de repuesto 5231JA2002A

Este sistema ha sido probado según las normas NSF/ANSI 42 para la reducción de las sustancias que se citan más adelante. La concentración de las sustancias indicadas en el agua que entra en el sistema se ha reducido a una concentración inferior o igual al límite permitido para el agua que sale del sistema, según se especifica en NSF/ANSI 42.



Sistema probado y certificado por NSF International según la norma NSF/ANSI 42 para la reducción del sabor y olor a cloro y partículas nominales Clase III.

Capacidad: 500 gal (1.892 L)

Sustancia	Concentración de penetración media	Concentración de peligro de penetración. Las unidades se aplican a cada fila	Concentración media de agua de producto	% medio de reducción	% reducción NSF nec. o máx. Concentración de agua de producto permitida
Partícula Nominal Tamaño de partículas Clase I: > 0,5 a < 1 um	24.333	Al menos 10.000 partículas/ml	915	96	≥ 85%
Sabor y olor a cloro Clase III	1,9	2,0 mg/L ± 10%	0,07	96,4	≥ 50%

Debe tenerse en cuenta que el rendimiento real puede variar durante la realización de la prueba bajo condiciones de laboratorio.

Instrucciones de aplicación/Parámetros de suministro de agua	
Flujo de servicio	0,5 gpm (1,89 lpm)
Presión de agua	20 -125 psi (138 – 862 kPa)
Temperatura del agua	36 °F - 100 °F (0,6 °C - 37,8 °C)

! ADVERTENCIA

No utilice agua que no sea microbiológicamente segura o de calidad desconocida sin la adecuada desinfección antes o después del sistema.

Los sistemas deben instalarse y utilizarse de acuerdo con los procedimientos y normas recomendados por el fabricante.

Garantía: véase más información en la tarjeta de garantía.

Para un cartucho de repuesto, póngase en contacto con un servicio técnico o su distribuidor local.

También puede visitar nuestra página web; www.lg.com o llamar al número **1-877-714-7486**.

Fabricado para LG® Electronics por:
CUNO Incorporateda 3M Company 400 Research Parkway
Meriden, CT 06450 U.S.A.

Teléfono: 203-237-5541

Fax +203 238 8701

! PRECAUCIÓN

Para reducir el riesgo de daños materiales debidos a fugas de agua:

- **Lea y cumpla las instrucciones.** Utilice las instrucciones antes de la instalación y uso de este sistema.
- Instale sólo en líneas de agua FRÍA.
- Cumpla con toda la normativa de fontanería estatal y local.
- Instale un limitador de presión y un supresor de golpes de ariete para las presiones de entrada de agua superiores a 80 psi (552 kPa). Consulte el Código Uniforme de Fontanería, Secciones 608,2 y 609,10).
- No realice la instalación ni utilice el aparato donde la presión de agua pueda ser superior a 125 psi (862 kPa).
- Proteja el filtro de la congelación. Retire el filtro con temperaturas inferiores a 33°F (0,6°C).
- Cambie el cartucho en los intervalos de servicio especificados. El cartucho DEBE cambiarse al menos cada 12 meses.

SMART DIAGNOSIS



En caso de experimentar algún problema con su refrigerador, podrá transmitir datos a través de su teléfono al centro de servicios de LG. Éste le otorgará la posibilidad de hablar directamente con nuestros técnicos especialistas. El técnico graba los datos transmitidos desde su máquina y los utiliza para analizar el problema, ofreciendo un diagnóstico rápido y eficaz.

Si experimenta problemas con su refrigerador, llame al 1-800-243-0000. Únicamente utilice la función Diagnóstico Inteligente cuando el representante del centro de atención al cliente de LG le indique hacerlo. Los sonidos de transmisión que oirá son normales y suenan de forma parecida a un equipo de fax.

La función de Diagnóstico Inteligente no puede ser activada a menos que el refrigerador esté conectado a la energía eléctrica. Si el refrigerador no se puede encender, la solución del problema deberá llevarse a cabo sin utilizar el Diagnóstico Inteligente.

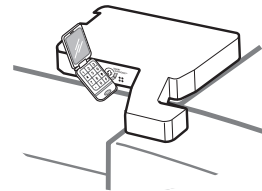
Cómo usar la función de Smart Diagnosis

Primero, comuníquese al 1-800-243-0000. Únicamente utilice la función Diagnóstico Inteligente cuando el representante del centro de atención al cliente de LG le indique hacerlo.

- 1 Bloquee la pantalla. Para bloquear la pantalla, mantenga pulsado el botón Lock por tres segundos. (Si la pantalla ha sido bloqueada por más de cinco minutos, debe desactivar el bloqueo y luego volver a activarlo).



- 2 Abra la puerta derecha del refrigerador.
- 3 Mantenga el micrófono de su teléfono en frente del altavoz que se encuentra ubicado en la bisagra derecha de la puerta del refrigerador. Siga este paso cuando así se lo indique el centro de atención al cliente.



- 4 Mantenga pulsado el botón Freezer Temperature (Temperatura del congelador) por tres segundos, mientras continúa manteniendo su teléfono frente al altavoz.



- 5 Tras escuchar tres pitidos, suelte el botón Freezer Temperature (Temperatura del congelador).
- 6 Mantenga el teléfono en su sitio hasta que haya terminado la transmisión de tonos. Esto tarda unos 15 segundos, y en la pantalla aparecerá el recuento de tiempo. Una vez que haya finalizado el recuento del tiempo y que los tonos se hayan detenido, reanude su conversación con el técnico. Éste le podrá ayudar a utilizar la información transmitida para el análisis.

! NOTA

- Para obtener mejores resultados, no mueva el teléfono mientras se estén transmitiendo los tonos
- Si el técnico del centro de atención al cliente no puede grabar con precisión los datos, probablemente le pida que lo intente de nuevo.

SOLUCIÓN DE PROBLEMAS

Consulte la sección de "Solución de problemas" antes de llamar al servicio técnico. Esto le ahorrará tiempo y dinero.

Problema	Causas posibles	Soluciones
Las secciones del refrigerador y del congelador no enfrían.	El control del refrigerador está en la posición OFF (en algunos modelos).	Encienda el control. Consulte la sección Ajuste de los controles para obtener información acerca de los ajustes correctos de temperatura.
	El refrigerador está en Demo Mode (Modo Demostración).	El Modo demostración permite que las luces y la pantalla de control funcionen con normalidad, si bien el sistema de refrigeración está deshabilitado para ahorrar energía, mientras el electrodoméstico está en la planta de exposición del establecimiento comercial. Consulte la sección Ajuste de los controles para obtener instrucciones sobre cómo desactivar el Modo Demostración.
	El refrigerador está en el ciclo de descongelación.	Durante el ciclo de descongelación, la temperatura de cada compartimiento puede aumentar ligeramente. Espere 30 minutos y una vez que se haya completado el ciclo de descongelación, verifique que la temperatura correcta se haya restablecido.
	El refrigerador se instaló recientemente.	Puede tomar hasta 24 horas para que cada compartimiento alcance la temperatura deseada.
	El refrigerador se trasladó recientemente.	Si el refrigerador estuvo fuera de uso por mucho tiempo, o si estuvo guardado de costado, es necesario que se lo posicione de manera vertical por 24 horas antes de conectarlo a la energía eléctrica.
El sistema de enfriado funciona por demasiado tiempo.	El refrigerador ha reemplazado a un modelo más antiguo.	Los refrigeradores modernos requieren más tiempo de funcionamiento pero consumen menos energía gracias a una tecnología más eficiente.
	El refrigerador se acaba de enchufar o la electricidad se acaba de restablecer.	El refrigerador puede tardar hasta 24 horas en enfriarse completamente.
	La puerta se abre a menudo o se acaba de introducir una gran cantidad de alimentos/ alimentos calientes.	Cuando se introducen alimentos o se abren las puertas, aumenta la temperatura del refrigerador, lo que obliga al compresor a funcionar por más tiempo para volver a enfriar el refrigerador. Para ahorrar energía, intente sacar todo lo que necesite del refrigerador de una sola vez, mantenga los alimentos organizados para que resulte fácil encontrarlos, y cierre la puerta en cuanto saque el alimento. (Consulte la Guía para el almacenamiento de alimentos).
	Las puertas no están completamente cerradas.	Empuje firmemente para cerrar las puertas. Si éstas no se cierran por completo, consulte el apartado "Las puertas no se cierran completamente o quedan abiertas en la sección Componentes y Características de la Guía de resolución de problemas.
	El refrigerador está instalado en un lugar caluroso.	El compresor funcionará por más tiempo en condiciones calurosas. A temperaturas ambiente normales (21 °C), el compresor debería funcionar entre el 40% y el 80% del tiempo. En condiciones más calurosas, sería esperable que funcionara incluso más a menudo. No se debería usar el refrigerador si la temperatura supera los 43°C.
	La tapa posterior/ el condensador está obstruida/o.	Use un aspirador con un accesorio para limpiar las bobinas del condensador y las rejillas de ventilación. No retire el panel que cubre el área de las bobinas del condensador.

Problema	Causas posibles	Soluciones
La sección del REFRIGERADOR o del CONGELADOR está demasiado caliente.	El refrigerador se instaló recientemente.	Puede tomar hasta 24 horas para que cada compartimiento alcance la temperatura deseada.
	Los conductos de ventilación del aire están bloqueados.	Reorganice los artículos dentro del electrodoméstico para permitir que el aire fluya a través del compartimiento. Consulte el diagrama de Flujo de aire en la sección Uso del refrigerador.
	Las puertas se abren a menudo o por largos períodos de tiempo.	Cada vez que las puertas se abren a menudo o por largos períodos de tiempo, ingresa aire caliente y húmedo al compartimiento. Esto aumenta la temperatura y el nivel de humedad dentro de compartimiento. Para disminuir el efecto, reduzca la frecuencia y duración de apertura de la puerta.
	La unidad está instalada en un lugar caluroso.	No se debería usar el refrigerador si la temperatura supera los 43°C (110°F).
	Se agregó una gran cantidad de alimentos o alimentos calientes al alguno de los compartimientos.	Agregar alimentos calienta el compartimiento, con lo cual se necesita que el sistema de enfriado comience a funcionar. Dejar que la comida caliente se enfríe a temperatura ambiente antes de ponerla en el refrigerador reducirá dicho efecto.
	Las puertas no cierran correctamente.	Consulte el apartado “Las puertas no se cierran completamente o quedan abiertas” en la sección Componentes y Características de la Guía de resolución de problemas.
	El control de temperatura no es el adecuado.	Si la temperatura no está lo suficientemente fría, ajuste el control de a un punto a la vez y espere a que la temperatura se estabilice. Consulte la sección Ajuste de los controles para obtener mayor información.
	El ciclo de descongelación se ha completado recientemente.	Durante el ciclo de descongelación, la temperatura de cada compartimiento puede aumentar ligeramente y se puede formar condensación en la pared trasera. Espere 30 minutos y una vez que se haya completado el ciclo de descongelación, verifique que la temperatura correcta se haya restablecido.
Acumulación de humedad en el interior	Las puertas se abren seguido o por largos períodos de tiempo.	Cada vez que las puertas se abren seguido o por largos períodos de tiempo, ingresa aire caliente y húmedo al compartimiento. Esto aumenta la temperatura y el nivel de humedad dentro de compartimiento. Para disminuir el efecto, reduzca la frecuencia y duración de apertura de la puerta.
	Las puertas no cierran correctamente.	Consulte el apartado “Las puertas no se cierran correctamente” en la sección Guía para la solución de problemas.
	El clima es húmedo.	El clima húmedo hace que más humedad ingrese a los compartimientos cuando se abren las puertas, provocando condensación o congelación. Mantener un nivel razonable de humedad en el hogar ayudará a controlar la cantidad de humedad que ingresa en los compartimientos.
	El ciclo de descongelación se acaba de completar.	Durante el ciclo de descongelación, la temperatura de cada compartimiento puede aumentar ligeramente y se puede formar condensación en la pared trasera. Espere 30 minutos y una vez que se haya completado el ciclo de descongelación, verifique que la temperatura correcta se haya restablecido.
	Los alimentos no están empaquetados correctamente.	Los alimentos destapados o desenvueltos y los envases húmedos pueden provocar la acumulación de humedad dentro de cada compartimiento. Limpie y seque todos los envases, y almacene los alimentos en empaques sellados para prevenir la condensación y la congelación.

Problema	Causas posibles	Soluciones
Los alimentos se congelan en el compartimiento del refrigerador.	Alimentos con alto contenido de agua fueron colocados cerca de la ventilación de aire.	Reubique los alimentos con alto contenido de agua lejos de las ventilaciones de aire.
	El control de temperatura del refrigerador está incorrectamente ajustado.	Si la temperatura está demasiado fría, ajuste el control de a un punto a la vez y espere a que la temperatura se estabilice. Consulte la sección Ajuste de los controles para obtener mayor información.
	El refrigerador está instalado en un lugar frío.	Cuando el refrigerador funciona a una temperatura menor a los 5°C (41°F), los alimentos pueden congelarse en el compartimiento del refrigerador. No se debería usar el refrigerador si la temperatura es inferior a los 13°C (55°F).
Se forman cristales de hielo o escarcha en los alimentos congelados (fuera de los paquetes).	La puerta se abre seguido o por largos períodos de tiempo.	Cada vez que las puertas se abren a menudo o por largos períodos de tiempo, ingresa aire caliente y húmedo al compartimiento. Esto aumenta la temperatura y el nivel de humedad dentro de compartimiento. La humedad produce congelación y condensación. Para disminuir el efecto, reduzca la frecuencia y duración de apertura de la puerta.
	La puerta no se cierra correctamente.	Consulte el apartado "Las puertas no se cierran completamente o quedan abiertas" en la sección de la Guía de resolución de problemas.
La sección del REFRIGERADOR o del CONGELADOR está demasiado fría.	Los ajustes de control de temperatura son incorrectos.	Si la temperatura está demasiado fría, ajuste el control de a un punto a la vez y espere a que la temperatura se estabilice. Consulte la sección Ajuste de los controles para obtener mayor información.
Se forman cristales de hielo o escarcha en los alimentos congelados (dentro de paquetes sellados).	La condensación proveniente de los alimentos con alto contenido de agua provoca la congelación en el interior del paquete del alimento.	Esto es normal en alimentos con alto contenido de agua.
	Los alimentos se han dejado en el congelador por un largo tiempo.	No almacene alimentos con alto contenido de agua en el congelador durante mucho tiempo.
La máquina de hielo no hace suficiente hielo.	La necesidad de hielo excede la capacidad de almacenamiento de hielo.	La máquina de hielo fabricará aproximadamente 100 cubitos en un período de 24 horas.
	El suministro de agua del hogar no está conectado, la válvula no está completamente encendida, o la válvula está obstruida.	Conecte el refrigerador al suministro de agua fría con adecuada presión y abra completamente la válvula de corte de agua. Si el problema persiste, puede ser necesario contactar a un plomero.
	El filtro de agua está agotado.	Se recomienda reemplazar el filtro de agua: <ul style="list-style-type: none"> • Aproximadamente cada seis meses. • Cuando se encienda el indicador del filtro del agua. • Cuando disminuya el caudal del dispensador de agua. • Cuando los cubitos de hielo sean más pequeños de lo normal.
	Baja presión de suministro de agua en el hogar.	La presión del agua debe estar entre los 20 y los 125 psi en modelos sin filtro de agua, y entre los 40 y 125 psi en modelos con filtro de agua. Si el problema persiste, puede ser necesario contactar a un plomero.
	Se utilizar un sistema de filtración de agua de ósmosis inversa.	Los sistemas de filtración de agua de ósmosis inversa pueden reducir la presión de agua por debajo del mínimo y provocar problemas en la máquina de hielo. (Consulte la sección Presión del agua).
La tubería que conecta el refrigerador al suministro del hogar está retorcida.	La tubería se puede retorcer cuando el refrigerador se mueve durante la instalación o limpieza, lo que provoca un flujo de agua reducido. Enderece o repare el conducto de suministro del agua y arréglole a fin de prevenir futuras torceduras.	

Problema	Causas posibles	Soluciones
La máquina de hielo no hace suficiente hielo (continuación).	Las puertas se abren seguido o por largos periodos de tiempo.	Si las puertas de la unidad se abren a menudo, el aire ambiental calentará el refrigerador e impedirá que la unidad pueda mantener la temperatura establecida. Para ayudar a resolver este problema puede bajar la temperatura del refrigerador, además de no abrir la puerta con tanta frecuencia.
	Las puertas no están completamente cerradas.	Si las puertas no se cierran correctamente, la fabricación de hielo se verá afectada. Para obtener mayor información, consulte el apartado "Las puertas no se cierran completamente o quedan abiertas" en la sección Componentes y Características de la Guía de resolución de problemas.
	El ajuste de temperatura del congelador es demasiado cálido.	La temperatura recomendada para el compartimento del congelador para una fabricación normal de hielo es de -18°C (0°F). Si la temperatura del congelador es superior, la fabricación de hielo se verá afectada.
Se dispensa agua lentamente.	El filtro de agua está agotado.	Se recomienda reemplazar el filtro de agua: <ul style="list-style-type: none"> • Aproximadamente cada seis meses. • Cuando se encienda el indicador del filtro del agua. • Cuando disminuya el caudal del dispensador de agua. • Cuando los cubitos de hielo sean más pequeños de lo normal.
	Se utiliza un sistema de filtración de agua de ósmosis inversa.	Los sistemas de filtración de agua de ósmosis inversa pueden reducir la presión de agua por debajo del mínimo y provocar problemas en la máquina de hielo. Si el problema persiste, puede ser necesario contactar a un plomero.
	Baja presión de suministro de agua en el hogar.	La presión del agua debe estar entre los 20 y los 125 psi en modelos sin filtro de agua, y entre los 40 y 125 psi en modelos con filtro de agua. Si el problema persiste, puede ser necesario contactar a un plomero.
No se dispensa hielo.	Las puertas no están completamente cerradas.	El hielo no se dispensará si hay alguna puerta del refrigerador abierta.
	Uso poco frecuente del dispensador.	Si el dispensador de hielo se usa con poca frecuencia, con el tiempo los cubitos de hielo se pegan unos a otros, lo que impide que se dispensen correctamente. Compruebe el depósito de hielo en busca de cubitos agrupados o pegados entre sí. Si los hubiera, sepárelos para que el dispensador funcione correctamente.
	El conducto de dispensación está obstruido con escarcha o fragmentos de hielo.	Para eliminar la escarcha o los fragmentos de hielo, desmonte el depósito de hielo y libere el conducto con un utensilio de plástico. La dispensación de hielo en cubitos también ayuda a evitar la formación de escarcha y fragmentos de hielo.
	La pantalla del dispensador está bloqueada.	Mantenga presionado el botón Lock durante tres segundos para desbloquear el panel de control y el dispensador.
	El depósito de hielo está vacío.	Puede tomar hasta 24 horas para que cada compartimiento alcance la temperatura deseada y para que la máquina de hielo comience a fabricar hielo. Asegúrese de que el corte (brazo/ sensor) no esté obstruido. Una vez que se haya ventilado el suministro de hielo en el depósito de hielo, puede tomar hasta 90 minutos para que esté disponible más hielo, y aproximadamente 24 horas para poder rellenar el depósito por completo.

Problema	Causas posibles	Soluciones
La máquina de hielo no hace hielo.	El refrigerador se instaló recientemente o la máquina de hielo se conectó recientemente.	Puede tomar hasta 24 horas para que cada compartimiento alcance la temperatura deseada y para que la máquina de hielo comience a fabricar hielo.
	La máquina de hielo no está encendida.	Localice el interruptor de ON/OFF (encendido/apagado) de la máquina de hielo y confirme que está en la posición ON (encendido).
	El sensor detector de hielo está obstruido.	La presencia de sustancias extrañas o de escarcha en el sensor de detección de hielo puede interrumpir la fabricación de hielo. Asegúrese de que el área del sensor esté siempre limpia para que el funcionamiento sea el correcto.
	El refrigerador no está conectado a un suministro de agua o la válvula de corte del suministro no está abierta.	Conecte el refrigerador al suministro de agua y abra completamente la válvula de corte de agua.
	El corte de la máquina de hielo (brazo o sensor) está obstruido.	Si su máquina de hielo viene equipada con un brazo de corte de hielo, asegúrese de que el brazo se mueva libremente. Si su máquina de hielo viene equipada con un sensor de corte de hielo electrónico, asegúrese de que haya un camino libre entre ambos sensores.
	Tiene conectado un sistema de filtración de agua de ósmosis inversa al suministro de agua fría.	Los sistemas de filtración de agua de ósmosis inversa pueden reducir la presión de agua por debajo del mínimo y provocar problemas en la máquina de hielo. (Consulte la sección Presión del agua).
No se dispensa agua.	Nueva instalación o conducto de agua recientemente conectado.	Dispense 9 litros de agua (deje correr el agua durante unos 5 minutos) para purgar el aire atrapado y los contaminantes del sistema. No dispense los 9 litros de agua de manera continua. Pulse y suelte el botón del dispensador en ciclos de 30 segundos ON (encendido) y 60 segundos OFF (apagado).
	El panel del dispensador está bloqueado.	Mantenga presionado el botón Lock durante tres segundos para desbloquear el panel de control y el dispensador.
	El dispensador no está ajustado para dispensar agua.	El dispensador se puede ajustar para que dispense hielo o agua. Compruebe que el panel de control está ajustado para el funcionamiento deseado. Presione el botón Water (agua) en el panel de control para dispensar agua.
	Las puertas del refrigerador o del congelador no están cerradas correctamente.	El agua no se dispensará si hay alguna puerta del refrigerador abierta.
	El filtro de agua se sacó o se cambió recientemente.	Después de reemplazar el filtro de agua, dispense 9 litros de agua (deje correr el agua durante unos 5 minutos) para purgar el aire atrapado y los contaminantes del sistema; No dispense los 9 litros de agua de manera continua. Pulse y suelte el botón del dispensador por ciclos de 30 segundos ON (encendido) y 60 segundos OFF (apagado).
	La tubería que conecta el refrigerador al suministro del hogar está retorcida.	La tubería se puede retorcer cuando el refrigerador se mueve durante la instalación o limpieza, lo que provoca un flujo de agua reducido. Enderece o repare el conducto de suministro del agua y arréglole a fin de prevenir futuras torceduras.
	El suministro de agua del hogar no está conectado, la válvula no está completamente encendida, o la válvula está obstruida.	Conecte el refrigerador al suministro de agua y abra completamente la válvula de corte de agua. Si el problema persiste, puede ser necesario contactar a un plomero.

Problema	Causas posibles	Soluciones
El hielo huele o sabe mal.	El suministro de agua contiene minerales tales como el azufre.	Es posible que deba reemplazar el filtro de agua para eliminar los problemas de olor y sabor. NOTA: En algunos casos, un filtro podría no ser de ayuda. Puede no resultar posible quitar todo mineral/olor/sabor en todos los suministros de agua.
	La máquina de hielo se instaló hace poco tiempo.	Deseche las primeras tandas de hielo para evitar hielo manchado o con mal sabor.
	El hielo ha estado almacenado por demasiado tiempo.	El hielo almacenado por demasiado tiempo se achicará, se volverá turbio, y puede desarrollar un sabor rancio. Deseche el hielo antiguo y fabrique un nuevo suministro.
	Los alimentos no se han almacenado correctamente en los compartimentos.	Vuelva a envolver los alimentos. Vuelva a envolver los alimentos ya que, si no están correctamente envueltos, los olores podrían migrar hasta el hielo.
	El interior del refrigerador necesita una limpieza.	Consulte la sección Cuidado y limpieza para obtener más información.
	El depósito de hielo necesita una limpieza.	Vacíe y limpie el depósito (deseche los cubitos de hielo viejos). Asegúrese de que el depósito está completamente seco antes de reinstalarlo.
El agua del dispensador está caliente.	Refrigerator was recently installed.	Espere 24 horas tras la instalación a que el depósito de almacenamiento del agua se enfríe completamente.
	The water dispenser has been used recently and the storage tank was exhausted.	Dependiendo de su modelo específico, la capacidad de almacenamiento de agua será de aproximadamente 20 a 30 oz.
	Dispenser has not been used for several hours.	Si el dispensador no se utilizó por varias horas, el primer vaso dispensado puede no estar lo suficientemente frío. Deseche las primeras 10 onzas.
	Refrigerator is connected to the hot water supply.	Asegúrese de que el refrigerador está conectado a una tubería de agua fría. ⚠️ ADVERTENCIA: Conectar el refrigerador a un conducto de agua caliente puede dañar la máquina de hielo.
El agua huele o sabe mal.	Water supply contains minerals such as sulfur.	Es posible que deba reemplazar el filtro de agua para eliminar los problemas de olor y sabor.
	Water filter has been exhausted.	Se recomienda reemplazar el filtro de agua: <ul style="list-style-type: none"> • Aproximadamente cada 6 meses. • Cuando se encienda el indicador del filtro del agua. • Cuando disminuya el caudal del dispensador de agua. • Cuando los cubitos de hielo sean más pequeños de lo normal.
	Refrigerator was recently installed.	Dispense 9 litros de agua (deje correr el agua durante unos 5 minutos) para purgar el aire atrapado y los contaminantes del sistema. No dispense los 9 litros de agua de manera continua. Pulse y suelte el botón del dispensador en ciclos de 30 segundos ON (encendido) y 60 segundos OFF (apagado).
La máquina de hielo hace demasiado hielo.	Icemaker shutoff (arm/sensor) is obstructed.	Vacíe el depósito de hielo. Si su máquina de hielo viene equipada con un brazo de corte de hielo, asegúrese de que el brazo se mueva libremente. Si su máquina de hielo viene equipada con un sensor de corte de hielo electrónico, asegúrese de que haya un camino libre entre ambos sensores. Reinstale el depósito de hielo y espere 24 horas para confirmar que la operación se ha realizado correctamente.

Problema	Causas posibles	Soluciones
Clics	El control de descongelación emitirá un "clic" al comenzar y al finalizar el ciclo de descongelación. El control del termostato (o control del refrigerador en algunos modelos) también emitirá un "clic" al iniciar o finalizar un ciclo.	Funcionamiento normal.
Traqueteo	Los ruidos de traqueteos pueden proceder del flujo del refrigerante, de la tubería de agua en la parte posterior de la unidad, o de artículos almacenados encima o alrededor del refrigerador.	Funcionamiento normal.
	El refrigerador no está sólidamente apoyado en el suelo.	El suelo es poco sólido o irregular, o es necesario ajustar los pies de nivelación. Consulte la sección Alineación de las puertas.
	El refrigerador con compresor lineal se sacudió mientras estaba funcionando.	Funcionamiento normal.
Ruido de aspas	El motor del ventilador del evaporador está moviendo el aire a través de los compartimentos del refrigerador y del congelador.	Funcionamiento normal.
	El ventilador del condensador está forzando el paso de aire a través del condensador.	Funcionamiento normal.
Borboteo	Refrigerante está fluyendo a través del sistema de enfriamiento.	Funcionamiento normal.
Crujido	Se produjo la contracción y expansión de las paredes internas debido a cambios en la temperatura.	Funcionamiento normal.
Crepitación	El agua cayendo en el calentador de descongelación durante un ciclo de descongelación.	Funcionamiento normal.
Vibración	Si el lateral o la parte posterior del refrigerador están en contacto con un mueble o una pared, algunas de las vibraciones normales pueden producir un sonido audible.	Para eliminar el ruido, asegúrese de que los laterales y la parte posterior no puedan vibrar contra las paredes o los muebles.
Goteo	El agua cayendo en la batea de drenaje durante el ciclo de descongelación.	Funcionamiento normal.
Sonido de pulsación o agudo	Su refrigerador está diseñado para funcionar de forma más eficiente para conservar los alimentos a la temperatura deseada. El compresor de alta eficiencia puede hacer que su nuevo refrigerador funcione durante más tiempo que su antiguo refrigerador, y aun así será más eficiente energéticamente que los modelos anteriores. Mientras el refrigerador está en funcionamiento, es normal escuchar un sonido de pulsación o agudo.	Funcionamiento normal.

Problema	Causas posibles	Soluciones
Las puertas no se cierran completamente o quedan abiertas.	Hay paquetes de alimentos bloqueando la puerta que impiden que se cierre.	Reorganice los envases de alimentos para liberar la puerta y los estantes de la puerta.
	El depósito de hielo, la tapa del cajón para verduras, las bateas, los estantes, las bandejas de las puertas o las cestas no están en su sitio.	Coloque correctamente las bandejas, la tapa del cajón para verduras, las bateas, los estantes y las cestas. Consulte la sección Uso del refrigerador Uso del refrigerador.
	Las puertas se desmontaron durante la instalación del producto y no se volvieron a colocar correctamente.	Desmonte y vuelva a colocar las puertas siguiendo las instrucciones de la sección Desmontaje y sustitución de las manijas y puertas del refrigerador.
	La puerta no está correctamente nivelada.	Consulte el apartado Alineación de las puertas en la sección Instalación del refrigerador para nivelar el refrigerador.
Las puertas se abren con gran dificultad.	Las juntas están sucias o pegajosas.	Limpie las juntas y las superficies de contacto. Aplique una fina capa de cera para electrodomésticos o cera de cocina en las juntas después de limpiarlas.
	La puerta se acaba de cerrar.	Cuando abre la puerta, aire más caliente entra al refrigerador. Al enfriarse, crea el vacío. Si le cuesta abrir la puerta, espere un minuto para permitir que la presión del aire se equalice y, a continuación, compruebe si se abre con más facilidad.
El refrigerador se bambolea o parece inestable.	Las patas niveladoras no están correctamente ajustadas.	Consulte la sección Nivelación y alineación de las puertas.
	El piso no está nivelado.	Puede ser necesario agregar calibradores debajo de las patas o rodillos de nivelación o para completar el proceso de instalación.
Las luces no funcionan.	Falla de iluminación interior LED.	La lámpara del compartimiento del refrigerador es una iluminación interior mediante LED, por lo que el mantenimiento deberá ser realizado por un técnico cualificado. Consulte la sección Sustitución de la bombilla.
Le refrigerador tiene un olor inusual.	El filtro de aire puede necesitar ser ajustado a MAX (máximo) o ser reemplazado.	Ajuste el filtro de aire a MAX. Si no desaparece el olor dentro de las 24 horas, el filtro puede necesitar ser cambiado. Consulte la sección Sustitución del filtro de aire para obtener instrucciones acerca del reemplazo.

GARANTÍA (EE.UU.)

En caso de que su refrigerador LG (el "Producto") presente alguna falla por defectos de materiales o de fabricación bajo uso personal normal durante el período de garantía establecido más abajo, el mismo será reparado o reemplazado por LG, a su opción. Esta garantía limitada es válida únicamente para el comprador consumidor final original del producto, y únicamente aplica para el Producto comprado y utilizado dentro de los Estados Unidos, incluidos los territorios norteamericanos. Es necesario presentar recibo o factura original de compra para obtener el servicio de garantía bajo esta garantía limitada.

PERÍODO DE GARANTÍA			
Frigorífico	Sistema Cerrado (Condensador, Filtro desecante, Tubo conector, Refrigerante y Evaporador)		Compresor lineal
Un (1) año a partir de la fecha original de compra	Un (1) año a partir de la fecha original de compra	Siete (7) años a partir de la fecha original de compra	Diez (10) años a partir de la fecha original de compra
Piezas y mano de obra (sólo piezas internas/funcionales)	Piezas y mano de obra	Sólo piezas (Se le cobrará mano de obra al consumidor)	Sólo piezas (Se le cobrará mano de obra al consumidor)

Ruidos asociados con operaciones fallas normales encontradas en las instrucciones e uso y cuidado y las guías de instalación u operación de la unidad en un ambiente inapropiado no serán cubiertas bajo esta garantía.

- ▶ Los productos y partes de reemplazo son garantizados por la parte restante del período original de garantía o por noventa (90) días, la que sea mayor.
- ▶ Los productos y partes de reemplazo podrán ser nuevos o remanufacturados.

LA PRESENTE GARANTÍA REEMPLAZA A CUALQUIER OTRA GARANTÍA, EXPRESA O IMPLÍCITA, INCLUYENDO DE MANERA ENUNCIATIVA MAS NO LIMITATIVA, CUALQUIER GARANTÍA DE COMERCIABILIDAD, O APTITUD PARA UN FIN PARTICULAR. EN LA MEDIDA EN QUE TODA GARANTÍA IMPLÍCITA ES OBLIGATORIA POR LA LEY, ÉSTA SE LIMITA AL PERÍODO DE GARANTÍA EXPRESA MENCIONADO MÁS ARRIBA. EL FABRICANTE Y SU DISTRIBUIDOR EN LOS EE.UU. NO SERÁN RESPONSABLES POR DAÑOS INCIDENTALES, CONSECUENTES, INDIRECTOS, ESPECIALES, O POR DAÑOS PUNITIVOS DE CUALQUIER NATURALEZA, INCLUYENDO DE MANERA ENUNCIATIVA MAS NO LIMITATIVA, DAÑO EMERGENTE O LUCRO CESANTE, O POR CUALQUIER OTRO DAÑO BASADO EN EL CONTRATO, ACTO ILÍCITO CIVIL EXTRA CONTRACTUAL, U OTRO. Algunos estados no permiten la exclusión o limitación de daños o limitaciones incidentales o resultantes, o limitaciones sobre la duración de garantías implícitas, por lo tanto las limitaciones o exclusiones anteriores pueden no aplicarse en su caso. Esta garantía le otorga derechos legales específicos y usted puede contar con otros derechos, que pueden variar de Estado a Estado.

ESTA GARANTÍA LIMITADA NO CUBRE:

- Viajes de servicio para entregar, recoger, instalar, o reparar el producto; la instrucción al cliente sobre el funcionamiento del producto; la reparación o reemplazo de fusibles o, la corrección del cableado o de la instalación de agua, ni arreglo de reparaciones o instalaciones no autorizadas.
- Mal funcionamiento del producto durante fallas e interrupciones eléctricas o servicio eléctrico inadecuado.
- Daño causado por cañerías de agua rotas o con pérdidas, cañerías de agua congeladas, conductos de drenaje restringidos, provisión de agua interrumpida o inadecuada, o provisión inadecuada de aire.
- Daño causado por la utilización del Producto en una atmósfera corrosiva o contraria a las instrucciones incluidas en el manual del usuario.
- Daño al Producto ocasionado por accidentes, plagas y pestes, rayos, viento, fuego, inundaciones o actos de la Naturaleza.
- Daño causado por el mal uso, abuso, instalación, reparación o mantenimiento inapropiados. La reparación inapropiada incluye la utilización de piezas no aprobadas o especificadas por LG.
- Daño o mal funcionamiento del Producto causado por la modificación o alteración no autorizada, o utilización para otro uso que no fuera el previsto, o que resultara de cualquier pérdida de agua ocasionada por una instalación inapropiada.
- Daño o mal funcionamiento del Producto causado por corriente eléctrica o voltaje incorrectos, o códigos de cañería, utilización comercial o industrial, o por la utilización de accesorios, componentes o productos de limpieza no aprobados por LG.
- Daño causado por el transporte y manejo del Producto, incluidos rasguños, abolladuras, daño a la pintura y/o cualquier otro daño al acabado del producto, salvo que dicho daño hubiese sido causado por defectos en los materiales o mano de obra y se reportase dentro de una (1) semana a partir de la fecha de entrega. 1-800-243-0000.
- Daño o elementos faltantes de cualquier Producto de exposición, caja abierta, producto de descuento o restaurado.
- Productos con números de serie originales que hayan sido removidos, alterados o que no pueden ser determinados fácilmente. Se necesitan los números de Serie y el Modelo, junto con el recibo original de ventas, a fin de validar la garantía.
- Aumentos en los gastos de los servicios públicos y gastos adicionales en dichos servicios.
- Reemplazo de bombillas, filtros o de cualquier pieza consumible.
- Reparaciones cuando su Producto es utilizado de manera distinta al uso hogareño, normal y corriente (por ejemplo, usos comerciales, oficinas o instalaciones de recreación) o contraria a las instrucciones delineadas en el manual del usuario del producto.
- Gastos relacionados con la desinstalación del Producto de su casa para razones de reparación.
- Remoción y reinstalación del Producto si es instalado en una ubicación a la que es imposible de acceder o si no está instalado de acuerdo con las instrucciones publicadas de instalación, incluidos los manuales de instalación y del propietario de LG.
- Estantes, bandejas de puerta, cajones, manijas, accesorios y otras piezas del Producto, además de aquellas piezas originalmente incluidas en este modelo en particular.

Todos los gastos de reparación o reemplazo de piezas bajo las circunstancias de exclusión mencionadas deberán ser afrontados por el consumidor.

Para obtener los detalles de la garantía y servicio de atención al cliente, sírvase comunicarse telefónicamente o visitar nuestro sitio Web:

Comuníquese al 1-800-243-0000 (24 horas al día, 365 días al año) y seleccione la opción apropiada del menú, o bien visite nuestro sitio Web en <http://us.lg.com>
O contáctese por correo electrónico: Centro de Información al Cliente de LG:
P. O. Box 240007, 201 James Record Road Huntsville, Alabama 35813
AT.: CIC

Ingrese la información de su garantía aquí:

Información de registro del producto: _____

Modelo: _____

Número de serie: _____

Fecha de compra: _____

GARANTÍA (CANADÁ)

En caso de que su refrigerador LG (el "Producto") presente alguna falla por defectos de materiales o de fabricación bajo uso personal normal durante el período de garantía establecido más abajo, el mismo será reparado o reemplazado por LG, a su opción, previa presentación del recibo o factura original de compra. Esta garantía es válida únicamente para el comprador original del producto, y únicamente aplica para el Producto distribuido en Canadá, ya sea por LG Canadá o por distribuidor canadiense autorizado. Esta garantía es válida únicamente para Productos ubicados y utilizados dentro de Canadá.

PERÍODO DE GARANTÍA (Nota: Si la fecha original de compra no pudiera ser verificada, la vigencia de la garantía comenzará sesenta (60) días a partir de la fecha de compra)			
Frigorífico	Sistema Cerrado (Condensador, Filtro desecante, Tubo conector, Refrigerante y Evaporador)		Compresor lineal
Un (1) año a partir de la fecha original de compra	Un (1) año a partir de la fecha original de compra	Siete (7) años a partir de la fecha original de compra	Diez (10) años a partir de la fecha original de compra
Piezas y mano de obra (sólo piezas internas/funcionales)	Piezas y mano de obra	Sólo piezas (Se le cobrará mano de obra al consumidor)	Sólo piezas (Se le cobrará mano de obra al consumidor)

Ruidos asociados con operaciones fallas normales encontradas en las instrucciones e uso y cuidado y las guías de instalación u operación de la unidad en un ambiente inapropiado no serán cubiertas bajo esta garantía.

- ▶ Los productos y partes de reemplazo son garantizados por la parte restante del período original de garantía o por noventa (90) días, la que sea mayor.
- ▶ Los productos y partes de reemplazo podrán ser nuevos o remanufacturados.
- ▶ El Centro de Servicio Técnico Autorizado de LG garantiza su trabajo de reparación por treinta (30) días.

LA RESPONSABILIDAD EXCLUSIVA DE LG CANADÁ SE LIMITA A LA GARANTÍA ARRIBA EXPRESADA. SALVO LO EXPRESAMENTE PROVISTO MÁS ARRIBA, LG CANADÁ NO OTORGA Y POR LA PRESENTE NIEGA TODA OTRA GARANTÍA O CONDICIÓN RESPECTO AL PRODUCTO, EXPRESA O IMPLÍCITA, INCLUYENDO A TÍTULO ENUNCIATIVO MÁS NO LIMITATIVO CUALQUIER GARANTÍA O CONDICIÓN DE COMERCIABILIDAD, O APTITUD PARA UN FIN PARTICULAR; Y NINGUNA DECLARACIÓN SERÁ VINCULANTE PARA LG CANADÁ. LG CANADÁ NO AUTORIZA A NINGUNA PERSONA A CREAR O ASUMIR EN SU NOMBRE CUALQUIER OTRA OBLIGACIÓN DE GARANTÍA EN RELACIÓN CON EL PRODUCTO, EN LA MEDIDA EN QUE TODA GARANTÍA O CONDICIÓN ES IMPLÍCITA DE ACUERDO A LA LEY, ÉSTA SE LIMITA AL PERÍODO DE GARANTÍA EXPRESA MENCIONADO MÁS ARRIBA. LG CANADÁ, EL FABRICANTE O DISTRIBUIDOR NO SERÁN RESPONSABLES POR DAÑOS INCIDENTALES, CONSECUENTES, ESPECIALES, DIRECTOS O INDIRECTOS, PÉRDIDA DE LLAVE DE COMERCIO, GANANCIAS PERDIDAS, DAÑOS PUNITIVOS O EJEMPLARES, O CUALQUIER OTRO DAÑO, YA SEA QUE SURJAN DIRECTA O INDIRECTAMENTE DE CUALQUIER INCUMPLIMIENTO CONTRACTUAL, ESENCIAL O DE OTRO TIPO, O POR CUALQUIER ACCIÓN U OMISIÓN, ACTO ILÍCITO CIVIL EXTRA CONTRACTUAL, O CUALQUIER OTRO. Esta garantía le otorga los derechos legales específicos. Usted podría contar con otros derechos, que pueden variar de provincia a provincia, dependiendo de las leyes provinciales vigentes. Todo término incluido en esta garantía que negara o modificara cualquier condición o garantía implícita sujeto a la ley provincial es divisible y separable cuando entre en conflicto con la ley provincial sin afectar el resto de los términos de esta garantía.

ESTA GARANTÍA LIMITADA NO CUBRE:

1. Viajes de servicio para entregar, recoger o instalar el producto; la instrucción al cliente sobre el funcionamiento del producto; la reparación o reemplazo de fusibles o, la corrección del cableado o de la instalación de agua, ni arreglo de reparaciones o instalaciones no autorizadas.
2. Mal funcionamiento del producto durante fallas e interrupciones eléctricas o servicio eléctrico inadecuado.
3. Daño causado por cañerías de agua rotas o con pérdidas, cañerías de agua congeladas, conductos de drenaje restringidos, provisión de agua interrumpida o inadecuada, o provisión inadecuada de aire.
4. Daño causado por la utilización del Producto en una atmósfera corrosiva o contraria a las instrucciones incluidas en el manual del usuario.
5. Daño al Producto ocasionado por accidentes, plagas y pestes, rayos, viento, fuego, inundaciones o actos de la Naturaleza.
6. Daño causado por el mal uso, abuso, instalación, reparación o mantenimiento inapropiados del Producto. La reparación inapropiada incluye la utilización de piezas no aprobadas o especificadas por LG Canadá.
7. Daño o mal funcionamiento del Producto causado por la modificación o alteración no autorizada, o utilización para otro uso que no fuera el previsto, o que resultara de cualquier pérdida de agua ocasionada por una instalación inapropiada.
8. Daño o mal funcionamiento del Producto causado por corriente eléctrica o voltaje incorrectos, o códigos de cañería, utilización comercial o industrial, o por la utilización de accesorios, componentes o productos de limpieza no aprobados por LG Canadá.
9. Daño causado por el transporte y manejo del Producto, incluidos rasguños, abolladuras, daño a la pintura y/o cualquier otro daño al acabado del producto, salvo que dicho daño hubiese sido causado por defectos en los materiales o mano de obra y se reportase dentro de una (1) semana a partir de la fecha de entrega.
10. Daño o elementos faltantes de cualquier Producto de exposición, caja abierta, producto de descuento o restaurado.
11. Productos con números de serie originales que hayan sido removidos, alterados o que no pueden ser determinados fácilmente. Se necesitan los números de Serie y el Modelo, junto con el recibo original de ventas, a fin de validar la garantía.
12. Aumentos en los gastos de los servicios públicos y gastos adicionales en dichos servicios.
13. Reemplazo de bombillas, filtros o de cualquier pieza consumible.
14. Reparaciones cuando su Producto es utilizado de manera distinta al uso hogareño, normal y corriente (incluidos, a título ejemplificativo, usos comerciales, en oficinas o instalaciones de recreación) o contraria a las instrucciones incluidas en el manual del usuario del producto.
15. Gastos relacionados con la desinstalación del Producto en su casa para su reparación.
16. Remoción y reinstalación del Producto si es instalado en una ubicación a la que es imposible de acceder o si no está instalado de acuerdo con las instrucciones publicadas de instalación, incluidos los manuales de instalación y del propietario.
17. Estantes, bandejas de puerta, cajones, manijas y accesorios del Producto. También están excluidas las partes que no hayan sido incluidas originalmente con el Producto.

Todos los gastos en relación con las circunstancias de exclusión mencionadas anteriormente serán abonados por el consumidor.

Para obtener los detalles de la garantía y servicio de atención al cliente, sírvase comunicarse telefónicamente o visitar nuestro sitio Web: Comuníquese al 1-888-542-2623 (24 horas al día, 365 días al año) y seleccione la opción apropiada del menú, o bien visite nuestro sitio Web en <http://www.lg.ca>

Ingrese la información de su garantía aquí: _____
 Información de registro del producto: _____
 Modelo: _____ Número de serie: _____
 Fecha de compra: _____



LG Customer Information Center

For inquires or comments, visit www.lg.com or call;

1-800-243-0000 USA, Consumer User

1-888-865-3026 USA, Commercial User

1-888-542-2623 CANADA

Register your product Online!

www.lg.com